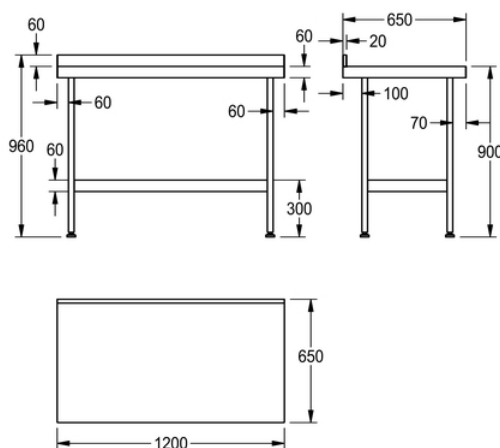


PREPARATION MIDI WALL TABLE: F20605Z

F20605Z | 2000100176

ARTICLE GROUP : F20605 ++ | ARTICLE FAMILY : Work tops | PRODUCT GROUP : Catering



Midi wall tables will align with the Midi range of catering sinks. Midi wall tables are manufactured from 1.2 thick austenitic grade stainless steel polished to a satin finish. Stainless steel underframes complete with shelf are supplied with each table, in a flat pack form with easy to read assembly instructions. Each leg is fitted with an adjustable foot (-20, +10mm) with a working height of 900mm.

Midi Wall Table with Welded Underframe

TECHNICAL DATA

gross weight 14.80 kg

material stainless steel

material code 1.4301 Chrome Nickel steel V2A

material thickness 1.20 mm

overall depth 650.00 mm

overall height 900.00 mm

overall width 1,200.00 mm

rear upstand yes

surface finish satin finished

type of mounting floor mounting

net weight 14.40 kg