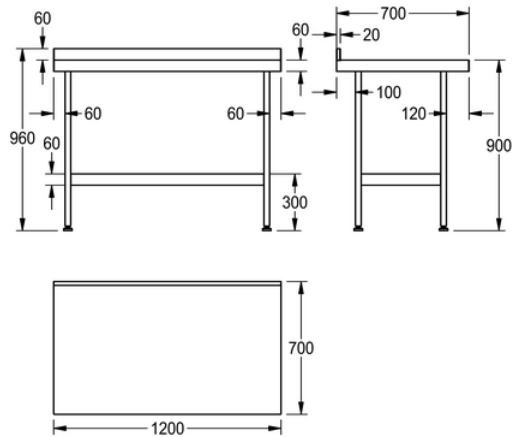


# PREPARATION MAGNUM WALL TABLE: F20609Z

F20609Z | 2000100188

ARTICLE GROUP : F20609 ++ | ARTICLE FAMILY : Work tops | PRODUCT GROUP : Catering



Magnum wall tables will align with the Magnum range of catering sinks. Magnum wall tables are manufactured from 1.2 thick austenitic grade stainless steel polished to a satin finish. Stainless steel underframes complete with shelf are supplied with each table, in a flat pack form with easy to read assembly instructions. Each leg is fitted with an adjustable foot (-20, +10mm) with a working height of 900mm.

Magnum Wall Table with Flatpack Underframe

## TECHNICAL DATA

|                    |                                |
|--------------------|--------------------------------|
| gross weight       | 15.00 kg                       |
| material           | stainless steel                |
| material code      | 1.4301 Chrome Nickel steel V2A |
| material thickness | 1.20 mm                        |
| overall depth      | 700.00 mm                      |
| overall height     | 900.00 mm                      |
| overall width      | 1,200.00 mm                    |
| rear upstand       | yes                            |
| surface finish     | satin finished                 |
| type of mounting   | floor mounting                 |
| net weight         | 14.60 kg                       |