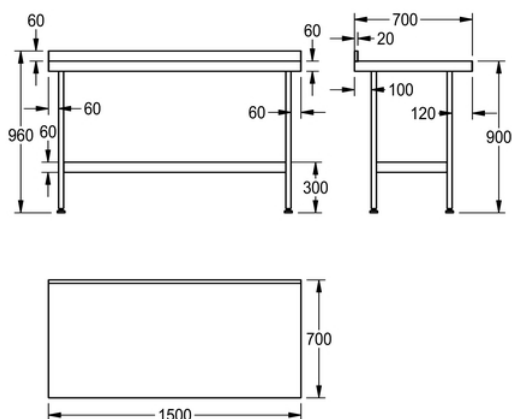


PREPARATION MAGNUM WALL TABLE: F20610Z

F20610Z | 2000100191

ARTICLE GROUP : F20610 ++ | ARTICLE FAMILY : Work tops | PRODUCT GROUP : Catering



Magnum wall tables will align with the Magnum range of catering sinks. Magnum wall tables are manufactured from 1.2 thick austenitic grade stainless steel polished to a satin finish. Stainless steel underframes complete with shelf are supplied with each table, in a flat pack form with easy to read assembly instructions. Each leg is fitted with an adjustable foot (-20, +10mm) with a working height of 900mm.

Magnum Wall Table with Flatpack Underframe

TECHNICAL DATA

gross weight	17.60 kg
material	stainless steel
material code	1.4301 Chrome Nickel steel V2A
material thickness	1.20 mm
net weight	17.20 kg
overall depth	700.00 mm
overall height	900.00 mm
overall width	1,500.00 mm
rear upstand	yes
surface finish	satin finished
type of mounting	floor mounting