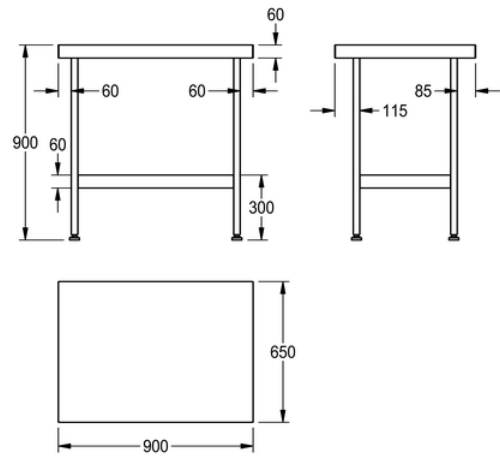


MIDI CENTRE TABLE: F20612Z

F20612Z | 2000100203

ARTICLE GROUP : F20612 ++ | ARTICLE FAMILY : Work tops | PRODUCT GROUP : Catering



Four lengths of centre tables, all 650mm wide compliment the standard wall tables. Special length tables can also be supplied in widths of 600, 650 and 700mm to align with all the other Mini, Midi and Magnum range of tables. All the tables are manufactured from 1.2mm thick austenitic grade stainless steel polished to a satin finish. Stainless steel underframes complete with shelf are supplied with each table, in a flat pack form with easy to read assembly instructions. Each leg is fitted with an adjustable foot (-20, +10mm) with a working height of 900mm.

Midi Centre Table with Flatpack Underframe

TECHNICAL DATA

gross weight	12.20 kg
material	stainless steel
material code	1.4301 Chrome Nickel steel V2A
material thickness	1.20 mm
net weight	11.80 kg
overall depth	650.00 mm
overall height	900.00 mm
overall width	900.00 mm
rear upstand	yes
surface finish	satin finished
type of mounting	floor mounting