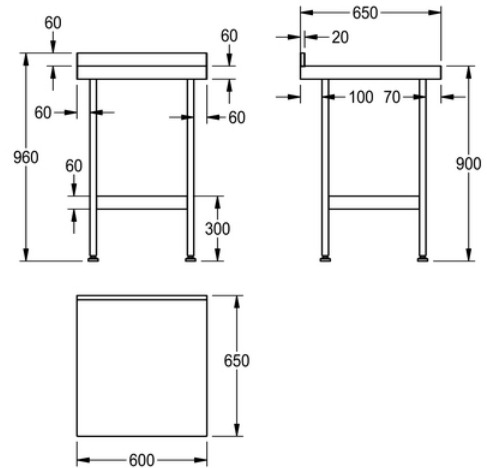


PREPARATION MIDI WALL TABLE: F20620Z

F20620Z | 2000100200

ARTICLE GROUP : F20620 ++ | ARTICLE FAMILY : Work tops | PRODUCT GROUP : Catering



Midi wall tables will align with the Midi range of catering sinks. Midi wall tables are manufactured from 1.2 thick austenitic grade stainless steel polished to a satin finish. Stainless steel underframes complete with shelf are supplied with each table, in a flat pack form with easy to read assembly instructions. Each leg is fitted with an adjustable foot (-20, +10mm) with a working height of 900mm.

Midi Wall Table with Mobile Underframe

TECHNICAL DATA

gross weight	8.90 kg
material	stainless steel
material code	1.4301 Chrome Nickel steel V2A
material thickness	1.20 mm
overall depth	650.00 mm
overall height	900.00 mm
overall width	600.00 mm
rear upstand	yes
surface finish	satin finished
type of mounting	floor mounting
net weight	8.50 kg