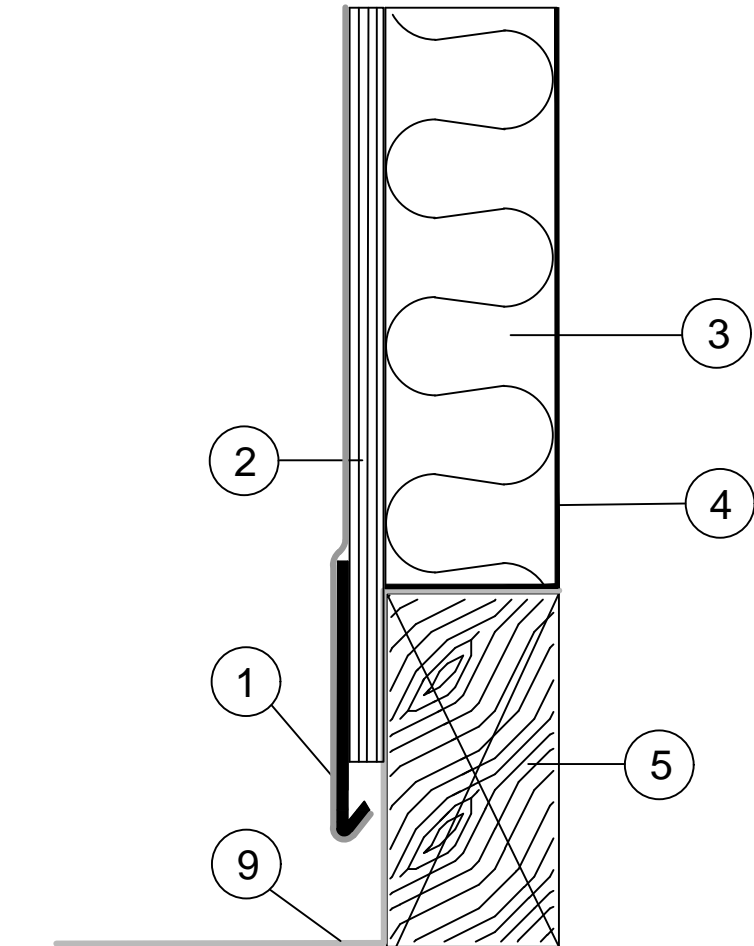


1. Polyroof 185 System with Associated Trim
2. 18mm Polyroof Approved Plywood / OSB3 (TG4) Deck
3. PUR Insulation e.g Kingspan Thermaroom TR26
4. Vapour Control Layer
5. Treated Timber Batten
6. 12mm Plywood
7. Mechanical Fixing
8. Timber Joist
9. Lead Flashing



Polyroof Products Limited  
 Furness House  
 Castle Park Industrial Estate  
 Flint  
 Flintshire  
 CH6 5XA

Tel : 01352 735 135  
 Fax : 01352 735 182  
 email : technical@polyroof.co.uk  
 web : www.polyroof.co.uk

Ref  
**FIG2110**

Title  
**Dormer Cheek Detail**

Scale  
**N.T.S**

Drawn By  
**OM**

Date  
**28/05/15**

**Polyroof 185 System**