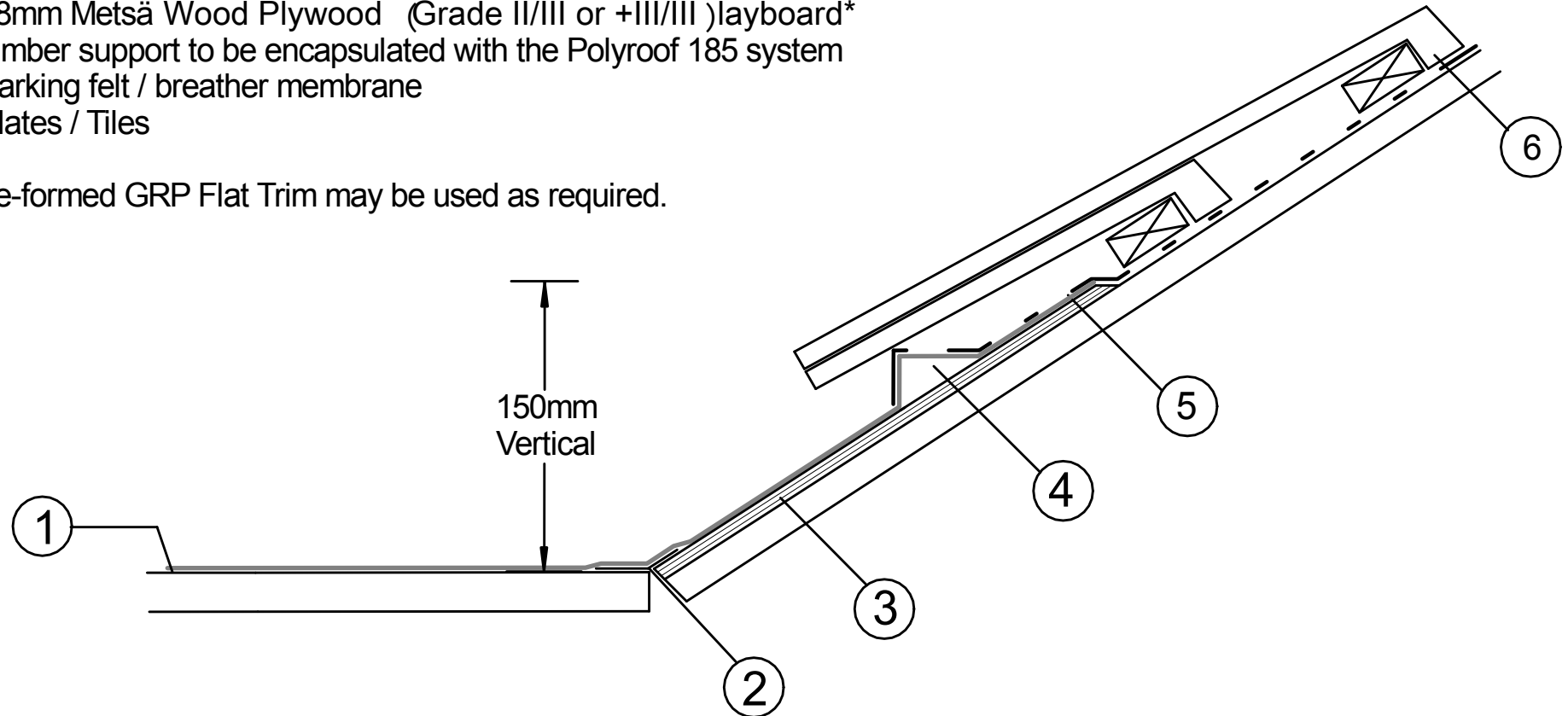


1. Substrate
2. Polyroof 185 system with double taping at this point
3. 18mm Metsä Wood Plywood (Grade II/III or +III/III )layboard\*
4. Timber support to be encapsulated with the Polyroof 185 system
5. Sarking felt / breather membrane
6. Slates / Tiles

\* Pre-formed GRP Flat Trim may be used as required.



**Notes:**

The Polyroof 185 system should be taken a minimum of 150mm (vertical height) above the finished surface of the flat roof and ideally a minimum of 300mm underneath the slates / tiles.



Polyroof Products Limited  
 Furness House  
 Castle Park Industrial Estate  
 Flint  
 Flintshire  
 CH6 5XA  
 Tel : 01352 735 135  
 Fax : 01352 735 182  
 email : technical@polyroof.co.uk  
 web : www.polyroof.co.uk

Reference  
**Fig 2.30**

Title  
**Pitched Roof Abutment**

Scale  
**N.T.S**

Drawn By  
**D.J**

Date  
**26.06.2014**

**Polyroof 185**