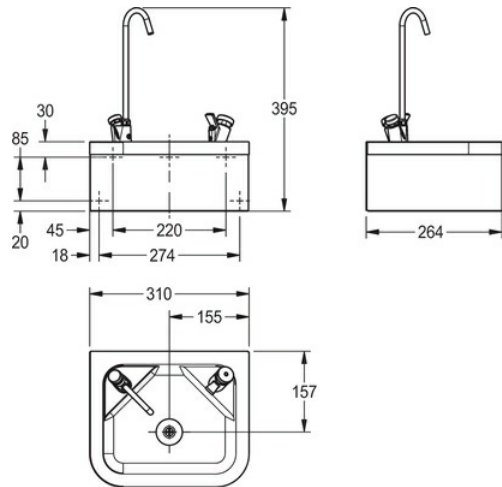


DRINKING FOUNTAIN: G20109N

G20109N | 2030013430

ARTICLE GROUP : **G20100N** | ARTICLE FAMILY : **Drinking fountains unchilled** | PRODUCT GROUP : **Water dispensers**



Drinking water fountains are manufactured from grade austenitic stainless steel, material thickness 1.2mm, supplied complete with 19mm waste and water bubbler. The wall mounted model is simply fixed to the wall using a joggle strip and integral mounting brackets.

Centinel wall hung drinking fountain with bottle filler 310x264x135mm

TECHNICAL DATA

waste size	DN 20
waste kit included	yes
waste hole position	centre
surface finish	satin finished
overall width	310.00 mm
overall height	135.00 mm
overall depth	264.00 mm
net weight	3.40 kg
material code	1.4301 Chrome Nickel steel V2A
material	stainless steel
gross weight	3.80 kg