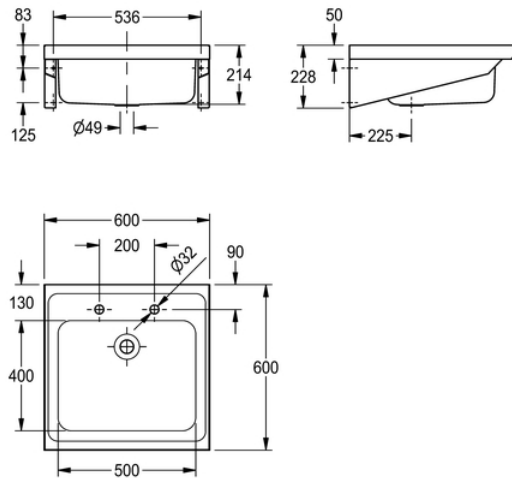


# HOSPITAL SINK: G22002NT

G22002NT | 2000100262

ARTICLE GROUP : G22002 ++ | ARTICLE FAMILY : Lab sinks | PRODUCT GROUP : Hospital equipment



A single bowl sink manufactured from 1.2mm thick, grade 1.4301 (304) stainless steel, satin polish finish. The sink top is turned down on all four edges and incorporates a wet area recess. The bowl is prepared for a 38mm waste outlet.

NOTE: It is not possible to fit an overflow. The sink top can either be mounted on wall brackets or front leg supports.

HTM64 STANDARD

Single bowl with 2 tapholes at 200mm centres

## TECHNICAL DATA

bowl - bowl depth	200.00 mm
bowl finish	satin finished
bowl - depth	500.00 mm
bowl - width	400.00 mm
drainer or storage	no
gross weight	8.50 kg
material	stainless steel
material code	1.4301 Chrome Nickel steel V2A
material thickness	1.20 mm
overall depth	600.00 mm
overall height	218.00 mm
overall width	600.00 mm
surface finish	satin finished
tap ledge	no
type of mounting	wall mounting
waste hole position	centre back
waste size	DN 32
net weight	7.20 kg

# HOSPITAL SINK: G22002NT

G22002NT | 2000100262

ARTICLE GROUP : **G22002 ++** | ARTICLE FAMILY : **Lab sinks** | PRODUCT GROUP : **Hospital equipment**

---

## ACCESSORY

---



---

**TAP: F1074**

---

2000100426

---



---

**TAP: F1075**

---

2000100427

---