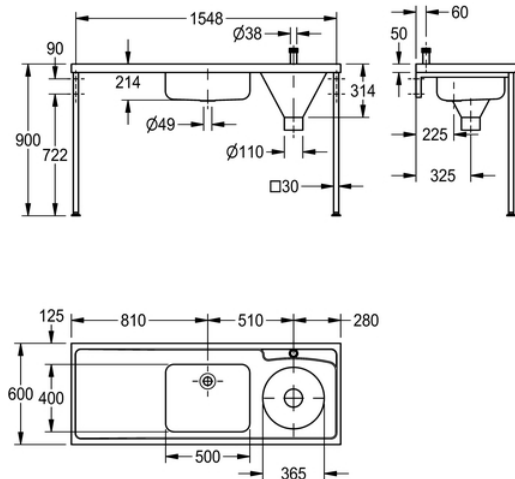


# DUHS HOSPITAL DISPOSAL UNIT: G22027L

G22027L | 2000100406

ARTICLE GROUP : **G22027 ++** | ARTICLE FAMILY : **Slop hopper** | PRODUCT GROUP : **Hospital equipment**



A DUHS hospital disposal unit manufactured from 1.2mm thick, grade 1.4301 (304) stainless steel with a satin polish finish. The top is turned down on all four edges and incorporates a wet area recess. Fitted with a sluice hopper at one end supplied with a top inlet. The hopper has a 110mm dia. outlet which can accept a P or S trap, available as an extra. A wash up bowl is positioned next to the sluice hopper and is prepared for a 38 mm waste outlet. The wash up bowl does not have an overflow, flush grated wastes are available as an extra, Stainless steel cisterns are available with stainless steel downpipes or plastic cisterns with plastic downpipes are available. Plastic cisterns have a 9 litre capacity whereas the stainless steel cistern can be 6, 7 or 9 litre capacity and all are fitted with a 13mm HP brass valve, plastic float and CP metal flushing lever handles. The unit should only be fed from a cistern or tank water supply. L or R after the code number refers to the handing of the drainer ie. left or right when facing front of unit. Unit can be mounted on either stainless steel cantilever brackets or stainless steel front leg supports. Front leg supports give a working height of 900mm and have adjustable feet which can be screwed to the floor for extra stability.

HTM 64 Standard

Left hand drainer, no tap holes

## TECHNICAL DATA

basin - basin depth	200.00 mm
basin finish	satin finished
basin - depth	400.00 mm
basin - width	500.00 mm
drainer position	left
drainer or storage	drainer
gross weight	18.10 kg
material	stainless steel
material code	1.4301 Chrome Nickel steel V2A
material thickness	1.20 mm
minimum flushing capacity	6.00 liter
net weight	16.90 kg
outlet size	DN 100
overall depth	600.00 mm

overall height	300.00 mm
overall width	1,600.00 mm
overflow	no
surface finish	satin finished
tap ledge	no
type of mounting	wall and floor mounting
waste hole position	centre back
waste hole projection	225.00 mm
waste size	DN 32

# DUHS HOSPITAL DISPOSAL UNIT: G22027L

G22027L | 2000100406

ARTICLE GROUP : **G22027 ++** | ARTICLE FAMILY : **Slop hopper** | PRODUCT GROUP : **Hospital equipment**

---

## ACCESSORY

---



---

**TAP: F1074**

---

2000100426

---



---

**TAP: F1075**

---

2000100427

---