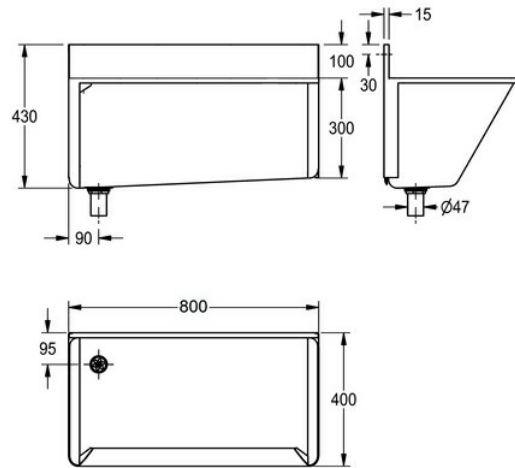


SUH SCRUB UP TROUGH: G22029L

G22029L | 2000100410

ARTICLE GROUP : **G22029 ++** | ARTICLE FAMILY : **Surgeon scrub-up units** | PRODUCT GROUP : **Hospital equipment**



Surgeons scrub up troughs manufactured from 1.5mm thick grade 1.4301 (304) stainless steel, with a satin polish finish. supplied with a conventional waste outlet in the base of the trough for surface mounting. The top and bottom areas of the trough are fixed to the wall using joggle strips. Wall fixing screws and plugs are not supplied.

L or R after the code number refers to the handing of the waste outlet ie. left or right when facing the front of the trough.

Rear waste outlet version also available, please call for details.

HTM 64 Standard

800 x 400

Left hand outlet

TECHNICAL DATA

| | |
|---------------------|--------------------------------|
| gross weight | 17.00 kg |
| material | stainless steel |
| material code | 1.4301 Chrome Nickel steel V2A |
| material thickness | 1.50 mm |
| overall depth | 400.00 mm |
| overall height | 430.00 mm |
| overall width | 800.00 mm |
| rear upstand | yes |
| surface finish | satin finished |
| type of mounting | wall mounting |
| waste hole position | left side |
| net weight | 15.00 kg |

SUH SCRUB UP TROUGH: G22029L

G22029L | 2000100410

ARTICLE GROUP : **G22029 ++** | ARTICLE FAMILY : **Surgeon scrub-up units** | PRODUCT GROUP : **Hospital equipment**

ACCESSORY



TAP: F1074

2000100426



TAP: F1075

2000100427
