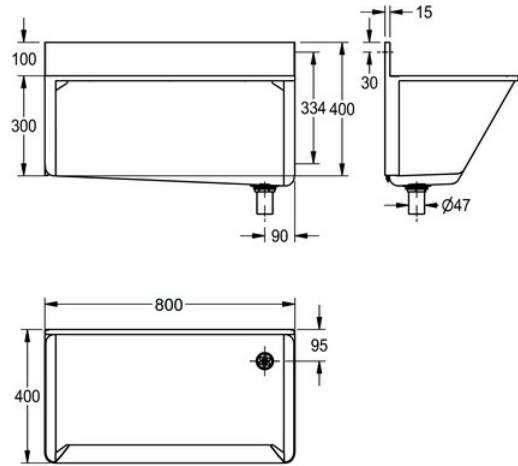


SUH SCRUB UP TROUGH: G22030R

G22030R | 2000100413

ARTICLE GROUP : **G22030 ++** | ARTICLE FAMILY : **Surgeon scrub-up units** | PRODUCT GROUP : **Hospital equipment**



Surgeons scrub up troughs manufactured from 1.5mm thick grade 1.4301 (304) stainless steel, with a satin polish finish. supplied with a conventional waste outlet in the base of the trough for surface mounting. The top and bottom areas of the trough are fixed to the wall using joggle strips. Wall fixing screws and plugs are not supplied.

L or R after the code number refers to the handing of the waste outlet ie. left or right when facing the front of the trough.

Rear waste outlet version also available, please call for details.

HTM 64 Standard

1600 x 400

Right hand outlet.

TECHNICAL DATA

gross weight	26.00 kg
material	stainless steel
material code	1.4301 Chrome Nickel steel V2A
material thickness	1.50 mm
net weight	24.00 kg
overall depth	400.00 mm
overall height	430.00 mm
overall width	1,600.00 mm
rear upstand	yes
surface finish	satin finished
type of mounting	wall mounting
waste hole position	right side

SUH SCRUB UP TROUGH: G22030R

G22030R | 2000100413

ARTICLE GROUP : **G22030 ++** | ARTICLE FAMILY : **Surgeon scrub-up units** | PRODUCT GROUP : **Hospital equipment**

ACCESSORY



TAP: F1074

2000100426



TAP: F1075

2000100427
