



The controllable electric solution

The Electrastream system is available in two models, the TD125 has a 125 litre capacity and the TD150 with a 150 litre capacity. Both models use Tri-Core heater technology with a combined output of 3 x 3 kW.

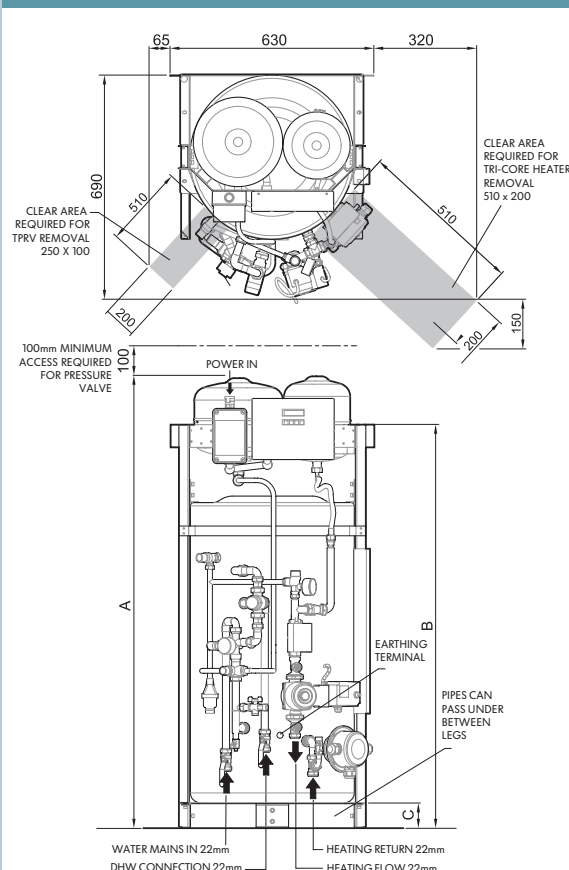
Technical Information	125	150
Capacity in Litres	125 litres	150 litres
Weight empty	13kg	14kg
Weight full	138kg	164kg
Coil rating	20.5kW	26.7kW
Coil surface area	0.75M2	0.90M2
Reheat time (Delta T=50°c)	50 minutes	58 minutes
Power	9kW	9kW
Voltage	240V	240V
Maximum temperature	70°c	70°c
Heat loss (Kwh in 24h) 60°c	1.70	1.90
Titanium heater length	40cm	40cm

Items Supplied

Unvented Cylinder, Tri-Core heater, Thermal cut out Stat, Combination valve, Unvented Control Kit, mains Isolator including RCD & MCB, Thermostatic mixing valve, 8 litre complete sealed system kit for heating, Isolating valves 22mm x 2, Heating filling loop, Smart Controller, Double check valve, Tundish, Central heating pump and valves, Motorised valve, filling loop, Cylinder fittings, double check valve, 200 Model Accumulator (PLUS model only).

Dimensions	BEP 125	BEP 150	BEP 125R
Model	125 Short	150 Short	125 Long
Cylinder Size	125 litres	150 litres	125 litres
A	1392mm	1692mm	1692mm
B	1243mm	1543mm	1543mm
C	78mm	78mm	328mm

Dimensions



Electrastream Plus

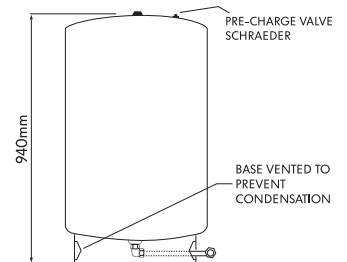
The Electrastream Plus system is supplied with a cold water storage. The accumulator has an internal controlled butyl diaphragm, incoming cold water is stored within this diaphragm at mains pressure. The air space between the diaphragm and the accumulator case is pressurised, this balances the supply and maintains pressure to the unvented hot water cylinder and cold outlets.

When hot and cold water outlets are turned on, the stored water from the accumulator supplements water from the incoming main, this results in consistent pressure and flow to all taps, showers and baths even when outlets are used simultaneously. Pressure will be sustained for as long as the accumulator is holding sufficient volume of water.



Coldwater Accumulator

Height 940mm Diameter 535mm



Accumulator Technical Information	BEP 150	BEP 125R
Accumulator 200 (plus only)	100 litres	100 litres
Weight empty	30.4 kg	30.4 kg
Weight full	140kg	140kg