

MEADRAIN PG
FOR DRAINING
MULTI-STOREY
CAR PARKS



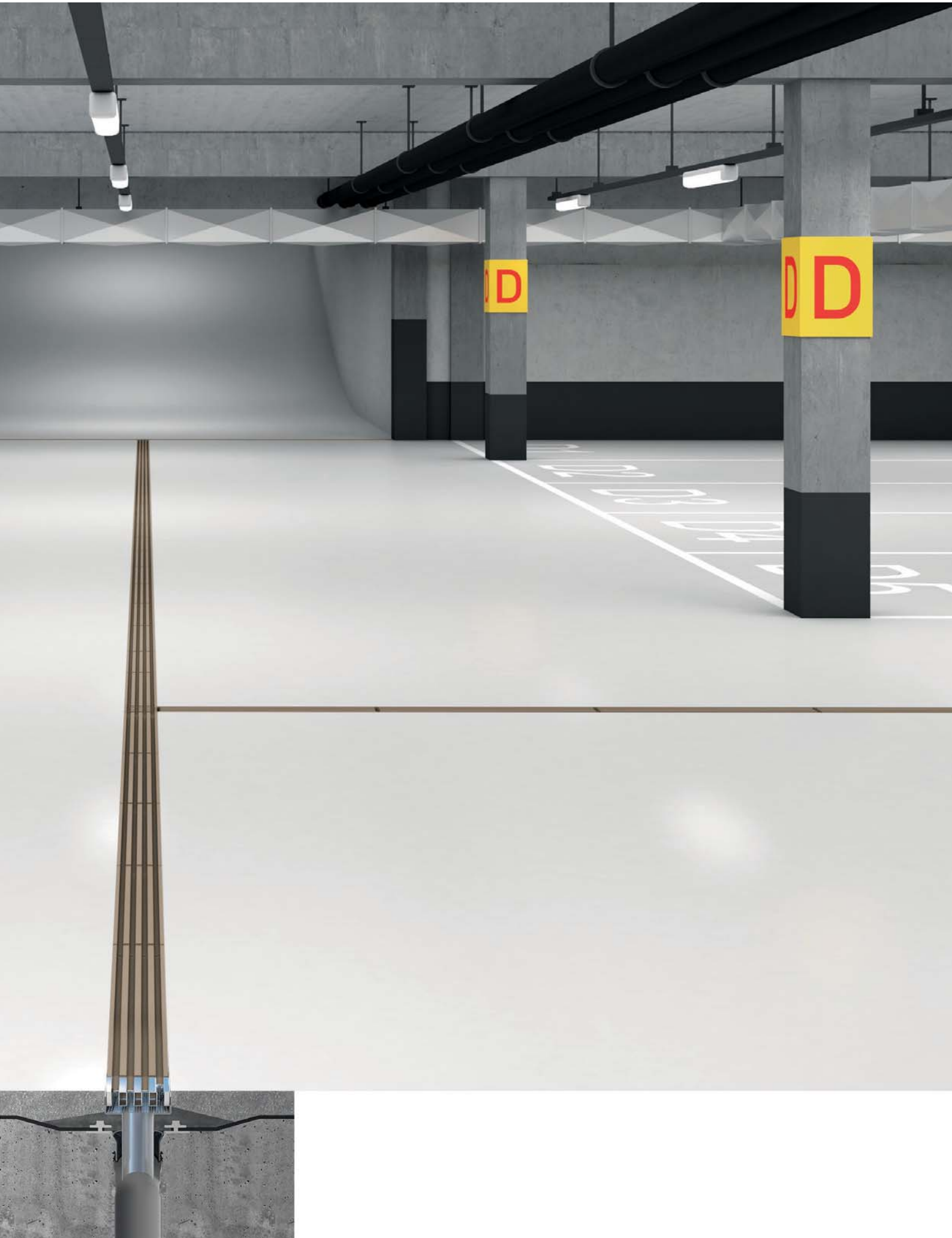
MULTI-STOREY CAR PARK DRAINAGE CHANNEL MEADRAIN PG
DRAINAGE SOLUTIONS FOR UNDERGROUND GARAGES AND MULTI-STOREY CAR PARKS



MEADRAIN PG PROFESSIONAL SMART SAFE

Benefits at a glance

- ✓ Barrier-free
- ✓ Low noise level when passing over
- ✓ Easy to clean
- ✓ Easy to install
- ✓ Extremely resilient
- ✓ Corrosion-free
- ✓ Sealable
- ✓ Fully fledged system solution



Fully fledged system solution

- ✓ Architecturally demanding solution for draining multi-storey car parks and underground garages
- ✓ Various nominal widths depending on the amount of water (CW 100, 150 or 300 mm)
- ✓ Extensive array of accessories: from intersection elements through end caps and silt boxes to suitable sealants



Easy to clean

- ✓ Visual inspection for soiling suffices because there are no complicated gratings to remove
- ✓ Easy cleaning with a suitable groove shovel thanks to the free drainage channel cross section with no gratings or cross bars
- ✓ Freely accessible from above



Barrier-free

- ✓ Full wheelchair accessibility thanks to the maximum slot width of 16 mm
- ✓ Same height as the surrounding surface



Low noise level

- ✓ Low noise level because there are no moving parts in the entire MEADRAIN PG system
- ✓ No complaints from residents due to gratings rattling when driven over





2

Sealable

- ✓ Standard-compliant (EN 1433) because the joint can be accessed easily for inspection
- ✓ Optimal sealability because the joint is also freely accessible from above after installation



3

Easy to install

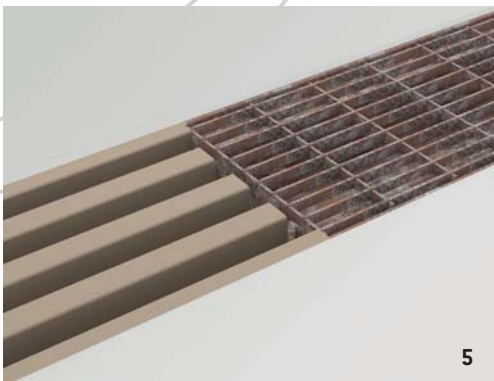
- ✓ Low total height enables narrower cavities in the floor
- ✓ Also suitable for refurbished buildings because the flat design is independent of the system previously installed



4

Resilient and safe

- ✓ Extremely robust because designed for very heavy loads
- ✓ Sustainable solution due to the use of durable polymer concrete
- ✓ Secure against vandalism and theft owing to the monolithic design with no moving parts

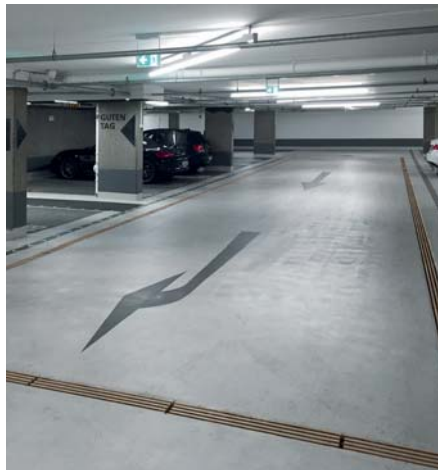
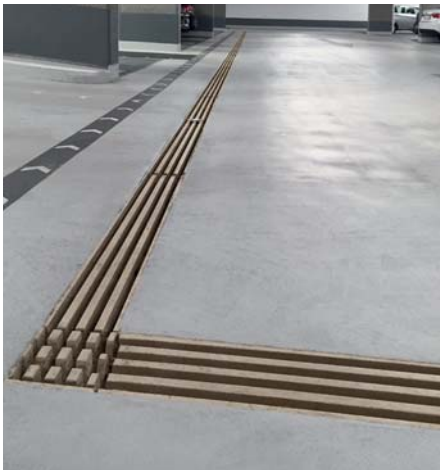
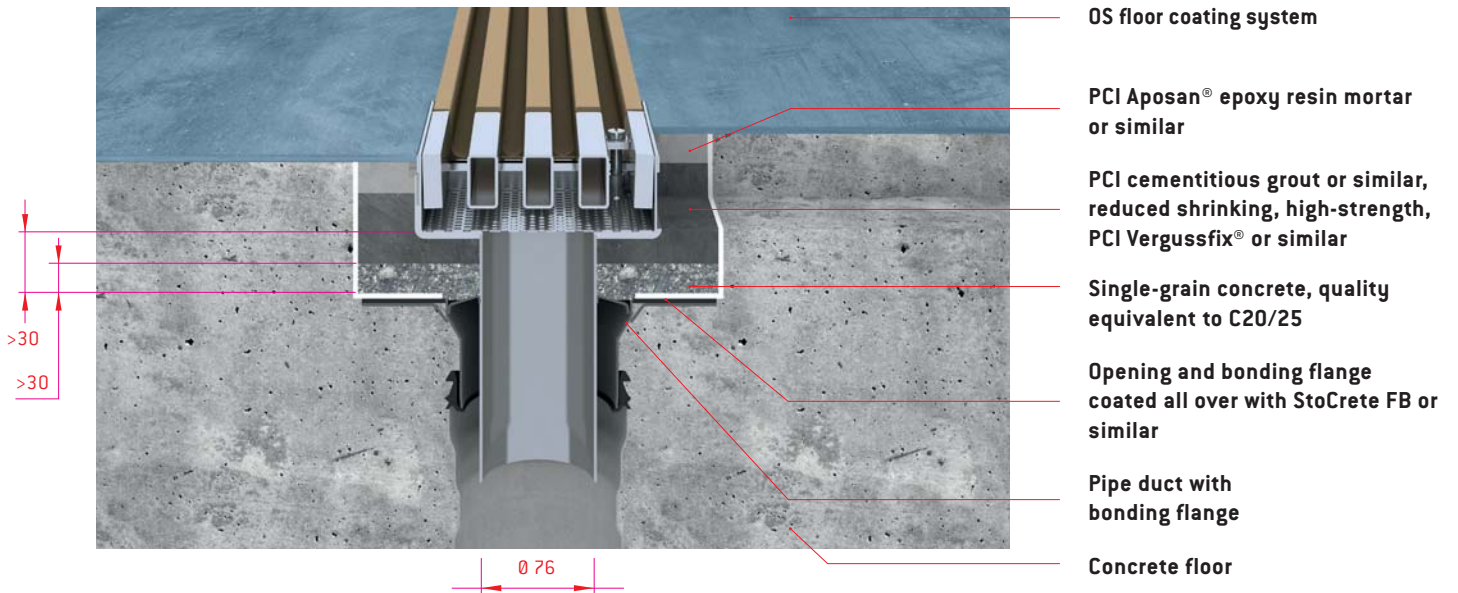
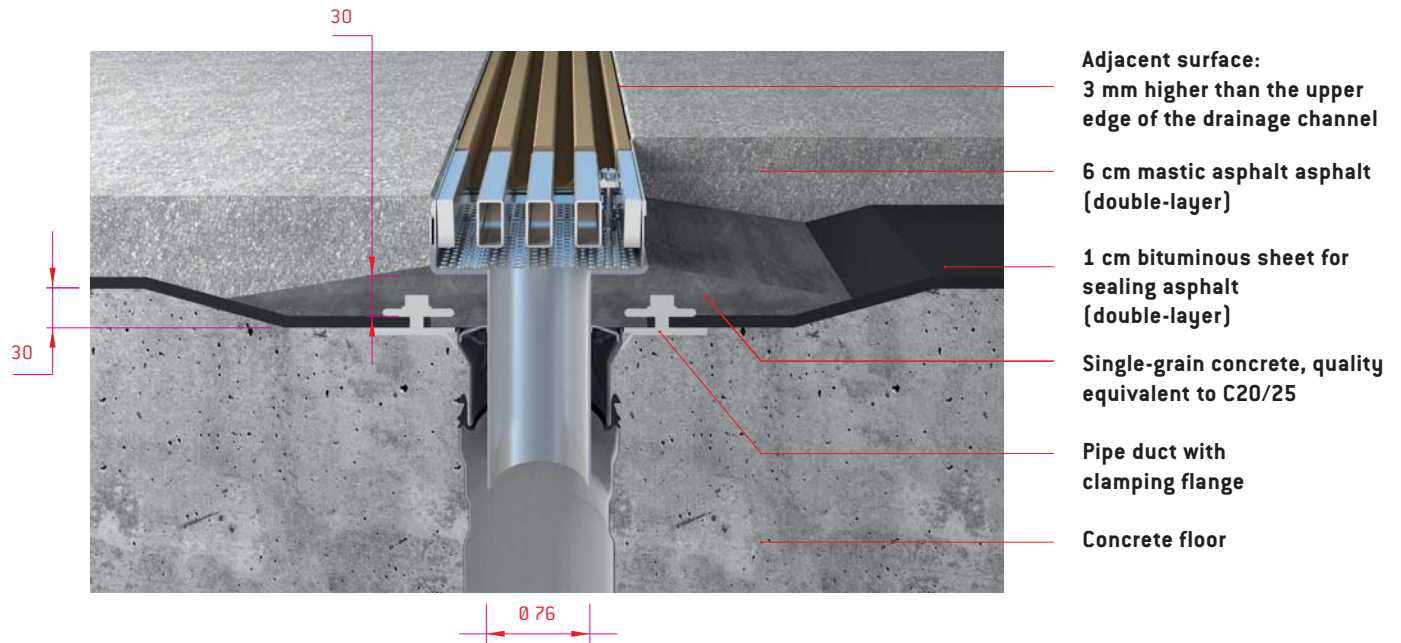


5

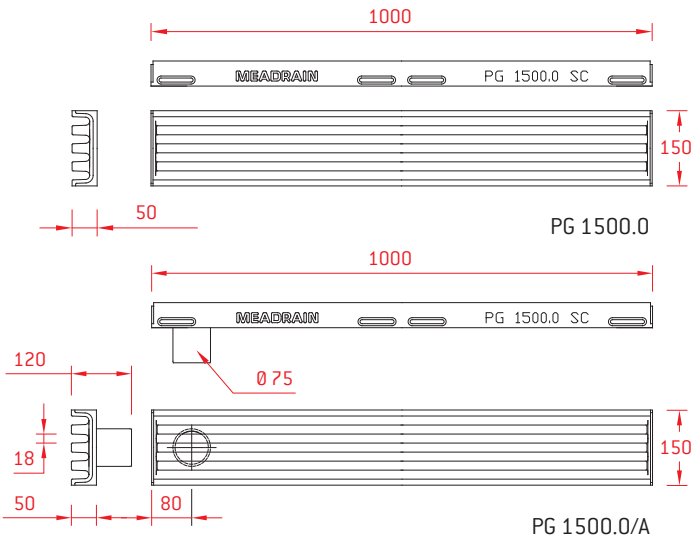
Corrosion-free

- ✓ Resistant to salt*, oil and petrol
- ✓ Drainage channel body is completely monolithic and made from polymer concrete, therefore no rust-prone metal parts
- ✓ Durable aesthetic appeal thanks to the robust, non-rusting material

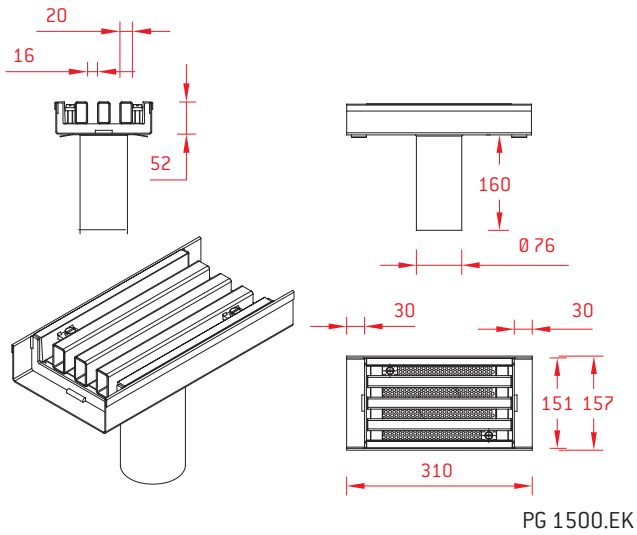
* Salt is highly aggressive to concrete. Particularly in winter, the salt contained in meltwater destroys the concrete reinforcement slowly but surely. The MEADRAIN PG drainage system made from polymer concrete extends the life of your parking facility.



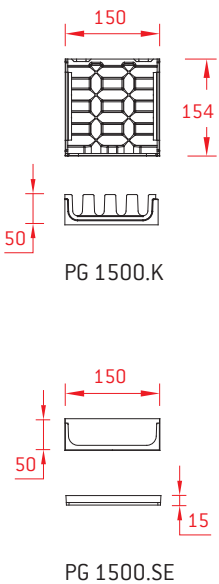
MEADRAIN PG multi-storey car park channel



Outlet unit MEADRAIN PG



Accessories for MEADRAIN PG



EDP-No.	Description	Length (mm)	Height (mm)	Width (mm)	Weight (kg/each)
010155602	PG 1000.0	1,000	50	100	7,10
010155604	PG 1000.0/A ¹	1,000	50	100	7,00
010155595	PG 1500.0	1,000	50	150	11,40
010155597	PG 1500.0/A ¹	1,000	50	150	11,50
010155694	PG 3000.0	1,000	50	300	22,80

1) Drainage channel elements with moulded outlet connection HD-PE Ø 75 mm

EDP-No.	Description	Length (mm)	Height (mm)	Width (mm)	Weight (kg/each)
010155590	PG 1500 outlet V2A incl. cover and dirt filter	310	52	160	5,20
010155592	PG 3000 outlet V2A incl. cover and dirt filter	310	52	310	7,20

EDP-No.	Description	Material	Weight (kg/each)
010155606	PG 1000.SE end cap for start and end of drainage channel	Polymer concrete	0,15
010155599	PG 1500.SE end cap for start and end of drainage channel	Polymer concrete	0,20
010155696	PG 3000.SE end cap for start and end of drainage channel	Polymer concrete	0,40
010155608	PG 1000.K intersection element	Polymer concrete	0,65
010155589	PG 1500.K intersection element	Polymer concrete	1,60
010155695	PG 3000.K intersection element	Polymer concrete	5,60
010155697	PG 3000.K/A intersection element with moulded outlet connection HD-PE Ø 75 mm	Polymer concrete	5,60
010155598	PG 1500.C C cover for outlet opening Ø 75 mm	Stainless steel	0,20
010155594	PG groove cleaning shovel	Stainless steel	1,20
010155596	PG groove cleaner	Stainless steel	0,60



BUILDING SUCCESS

MEA Water Management GmbH / Sudetenstraße 1 / D-86551 Aichach
www.mea-group.com