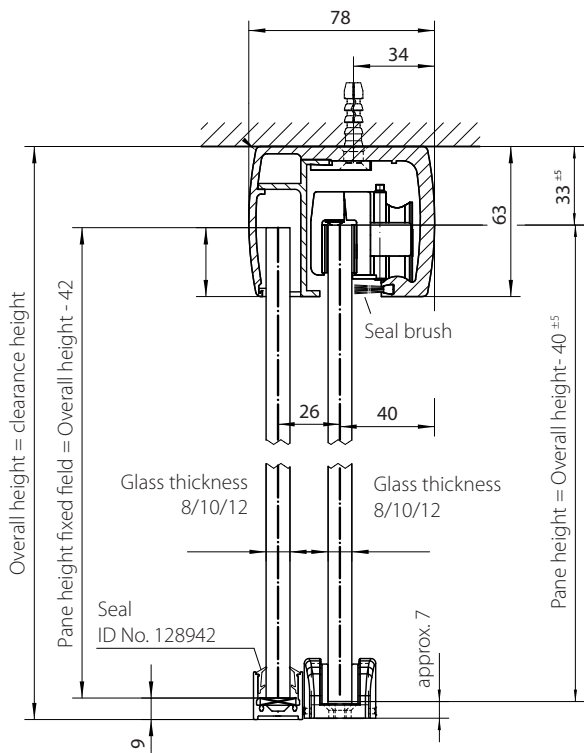




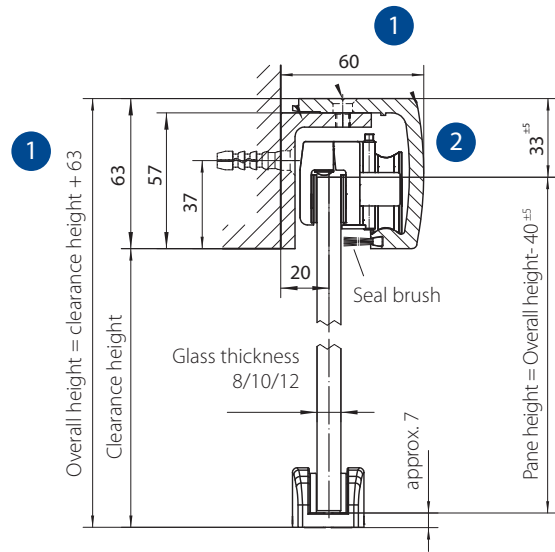
POWERFUL DESIGN FOR ANY SETTING
LEVOLAN SLIDING DOOR SET

**For fixing to the ceiling
with integrated side piece**



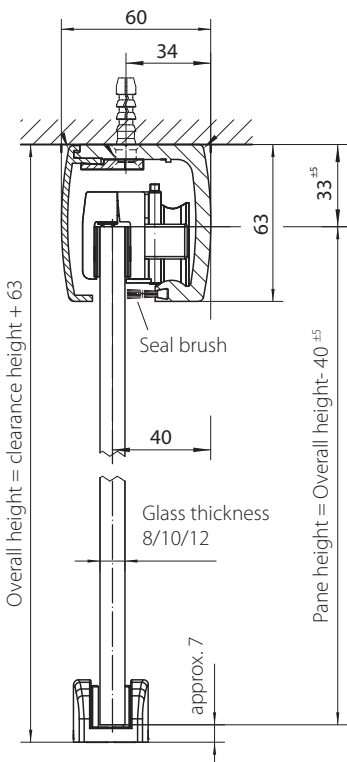
**U-shaped profile fixed field
with socket seal**

For fixing to the wall

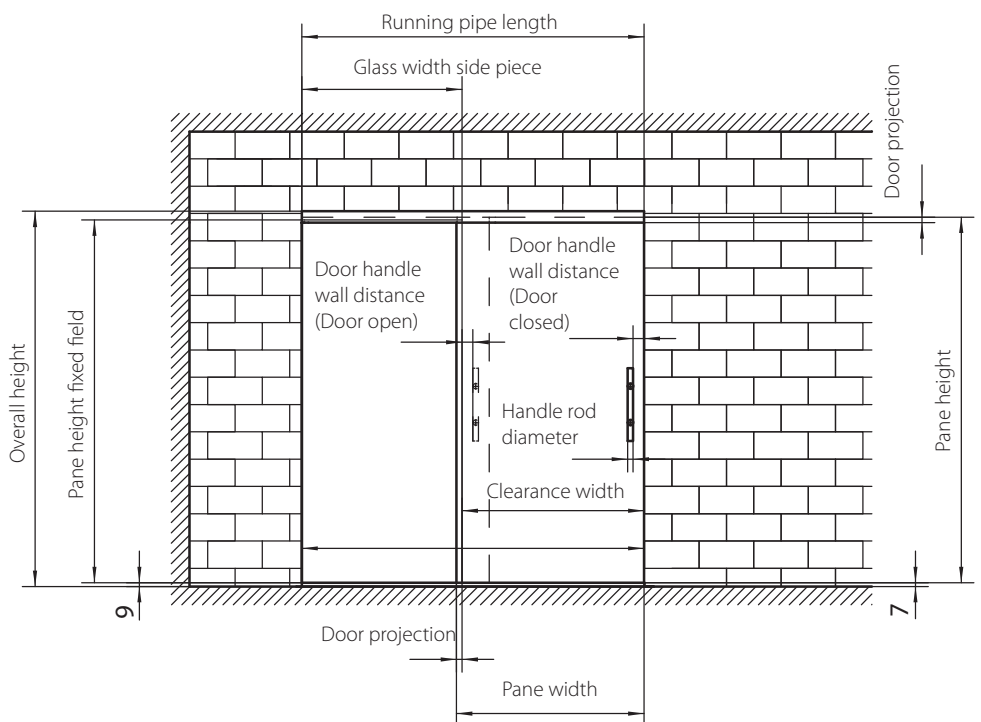


- 1 Despite the low rail dimension this system does not require any glass processing and keeps glass sliding doors almost invisible in the profile.
- 2 Thanks to the rollers tried and tested thousands of times in the GEZE automatic, the doors are extremely quiet and gentle running.

For fixing to the ceiling



For fixing to the ceiling with integrated side piece



GEZE LEVOLAN Sliding door set

with invisible glass clamping



All glass doors create transparency and elegance in room design. The clear lines of the LEVOLAN sliding door system allows itself to be decently integrated into any architecture. Without additional gluing, the system can carry glass doors with a weight of up to 150 kg. Like all GEZE products, LEVOLAN has been tested in comprehensive long-term tests and meets the highest classes of DIN EN 1527:1998.

Ready to mount LEVOLAN sets make planning and installation of sliding doors easier. The sets contain all small parts including end caps and brush seals. This saves the installer additional travel and thus time and costs. Of course, individual solutions can be projected and ordered as single items.

GEZE LEVOLAN is suitable for single pane toughened safety glass in the thicknesses 8, 10 and 12 mm. The GEZE laminated safety glass gluing allows pane leaves made of laminated glass with thicknesses of up to 12.76 mm to be safely and permanently moved.

Exemplary accessories
from the GEZE sliding door range:



Rod handle



Handle recess

GEZE LEVOLAN

Sliding door set

Alongside Levolan, the subtle powerhouse amongst the sliding doors, GEZE also offers a entire range of high-quality system solutions for sliding concepts:

► **ROLLAN 40/80**

The quiet roller sliding system for sliding concepts in small spaces is designed for single and multi-leaf door systems with sliding elements of 40 to 80 kg.

► **PERLAN 140**

The multi-talent under the roller sliding system for single, multiple and synchronous wooden and glass sliding doors in the widest of varieties is suitable for both wall and ceiling fixture and for leaf weights of up to 140 kg.

► **AEROLAN**

The elegant stainless steel design fitting for wall and ceiling installation enables flexible use. Whether it be wooden or glass, frame or skirting boards, the Aerolan set fits all sliding doors and elements up to 105 kg.

► **GEOLAN**

Geolan is the ideal solution for lightweight construction walls and suspended ceilings. The elegant stainless steel design fitting with freely visible rollers rides on a floor mounted rail and enables the use of heavy sliding doors with a weight of up to 135 kg in lightweight constructions.

► **VETROSLIDE**

The Vetroslide all glass sliding door system offers maximum transparency. The previously used guide rails are now replaced by a point-fixed glass fin and the fittings are reduced to a minimum. Each system is tailored to meet the individual requirements of the user. Vetroslide is suitable for sliding leaves with a weight of up to 80 kg.

GEZE GmbH

Reinhold-Vöster-Straße 21-29

71229 Leonberg

Deutschland

Telefon: +49 (0) 7152-203-0

Telefax: +49 (0) 7152-203-310

Email: vertrieb.services.de@geze.com

www.geze.com