


CREATIVE FREEDOM FOR SHOP FRONTS

GEZE MSW – Manual sliding wall systems



BEWEGUNG MIT SYSTEM

A detailed close-up photograph of a GEZE SmartGuide carriage mounted on a sliding door track. The carriage is a sleek, silver-colored metal component that fits into a matching track. The track is part of a larger sliding door system, with multiple tracks visible in the background. The lighting is bright and even, highlighting the metallic textures and the precise engineering of the carriage and track. The background shows a white wall and a dark ceiling, suggesting an indoor setting.

GEZE SMARTGUIDE CARRIAGE: TAKES OVER GUIDANCE

All MSW leaf versions can be realised without any limits on sliding comfort thanks to the SmartGuide carriage developed exclusively by GEZE – simple and user-friendly. The “smart” carriage allows all the leaves to run in the required direction. The switching of the guide side is integrated into the carriage, the “impulse” is provided by a release device in the track. Since the SmartGuide carriage is compatible with all MSW leaf variants from GEZE, one single track system is all that’s required. Stacking areas with a disengagement possibility and multiple successively arranged stacking areas can be implemented – even in the case of systems without swing door end panel. Straightforward operation and ease of use are always guaranteed.

MSW SMARTGUIDE: TRANSPARENT ROOM DESIGNS



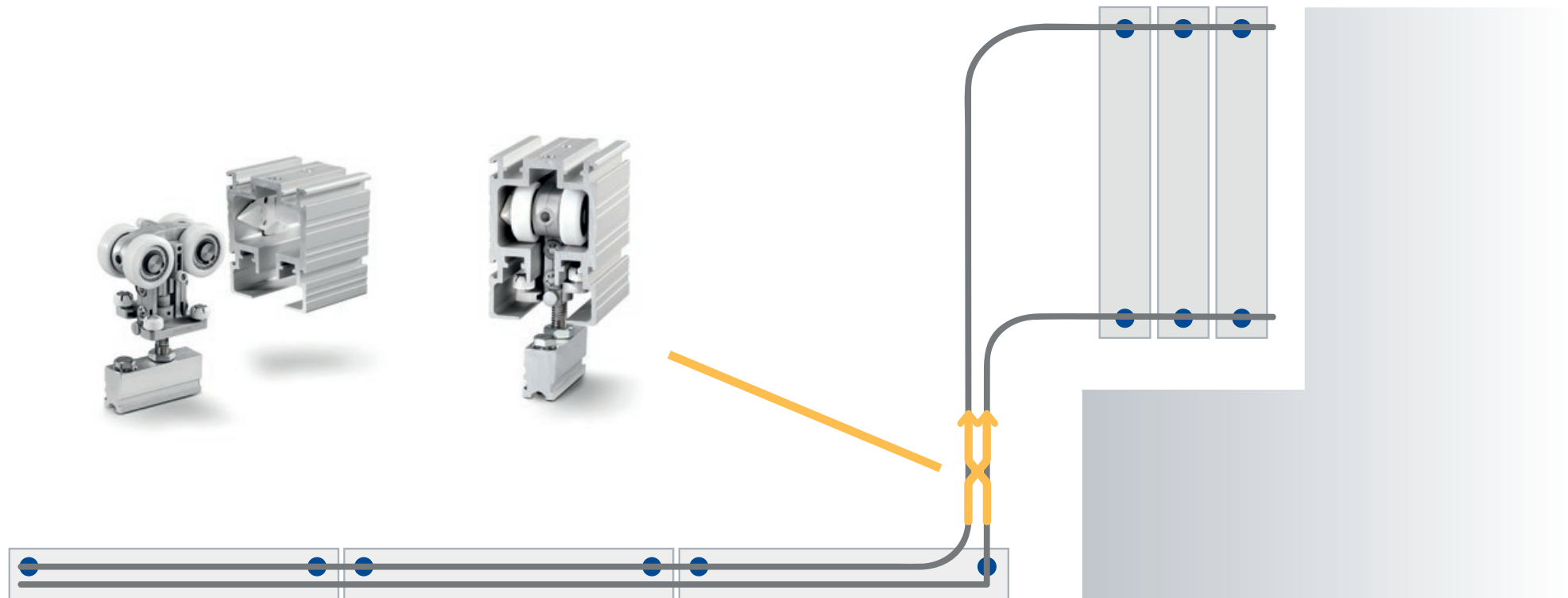
Manual sliding wall systems (MSW) from GEZE with unique SmartGuide technology are convincing on account of their functional and aesthetic perfection. They provide ideal new design options for modern shop fitting. Since they have no swing door end panels, shop fronts can be opened completely for an inviting, open style. This is possible thanks to the SmartGuide carriage with switchable guide side in the track. Intelligent MSW solutions from GEZE allow the consistent realisation of generous, modern architecture and are setting benchmarks in the design-oriented entrance areas of shop fronts: Innovative. Attractive. Convenient.

AT A GLANCE:

ADVANTAGES OF

MSW SMARTGUIDE

- Completely new design options for the system thanks to switching the guide side on the carriage.
- No more swing door end panels. All leaves can be moved and disappear in the stacking area.
- A completely open entrance area, e.g. in shop fitting is possible without any restrictions on comfort and handling.
- The systems are an aesthetic design highlight – in line with a generous, modern architecture.
- The modularity of the track system allows perfect fitting solutions to be created precisely for every environment.
- Simple operation: A triggering unit integrated in the track automatically triggers reversing of the guide roller.
- Installation is straightforward. The carriages simply have to be installed in the respective leaf elements.
- Systems can be planned with only a few details necessary using the MSW configuration tool in the GEZE SystemShop.



MSW VARIANTS: INFINITE VARIETY



GEZE MSW Classicline, Pureline and Protectline:

Matching appearance for every environment

Modular structure for maximum design freedom: Three individual design lines available thanks to a free choice of clip-on cover profiles: Classicline, Pureline and Protectline. GEZE MSW Classicline profiles run at a slight angle to the glass and have a profile height of only 107 mm. GEZE MSW Pureline profiles can easily be combined with existing systems and have a modern, angled design. Profiles of the GEZE MSW Protectline offer increased protection from glass damage at floor level.

GEZE MSW with fine-framed leaves:

Improved energy balance

Conventional products incorporating insulation glass significantly restrict the view due to their bulky frame profiles. MSW with fine-framed leaves and a minimum profile width of only 30 millimetres allows the use of an insulation glass panel while retaining optimum transparency. Another advantage is the pleasant indoor climate in the vicinity of the partition.

GEZE MSW with IGG: Room partitioning systems with a view

The MSW version as an integrated all-glass system (IGG) permits universal aestheticism and enormous design freedom. MSW with IGG invisibly integrates the profiles and fitting system between the panes of glass – without visible or bulky parts on the surface of the glass: The inside of the pane is printed at the edge of the glass so that the fitting technology disappears behind this.

GEZE MSW with on-site leaves: Customised solutions

As an alternative to glass, leaves made of wood, aluminium or plastic can be used with MSW systems from GEZE. Thanks to the GEZE MSW set for on-site leaves, customers can combine their own door leaves with the GEZE MSW track system. Easy and convenient.

About GEZE

GEZE develops, manufactures and sells system solutions for door, window and safety technology and is one of the global market leaders. In our own technology centre we are constantly creating innovative products and system solutions. These provide impetus for forward-looking standards in building management systems.

GEZE GmbH

Reinhold-Vöster-Str. 21-29
71229 Leonberg
Germany

Phone: +49 7152 203 0
Fax: +49 7152 203 310
E-mail: info.de@geze.com
www.geze.com

1503 ID No. 162881