

Slab Edge Fixing Detail - No Fines

DO NOT SCALE

General Notes

This drawing represents the interpretation by Structurterm of the project requirements. It is the responsibility of the contractor to check all site dimensions and the suitability of the details shown.

Structurterm are not responsible for any variations that occur through design changes by other parties or resulting from subsequent site surveys and the contractor will be appointed on this basis.

**PRELIMINARY**

Rev.	Date	Description	By
P1	Date	First Preliminary Issue	RG/GS

Client

Project  
SEWI Standard Details

Job No. 0000

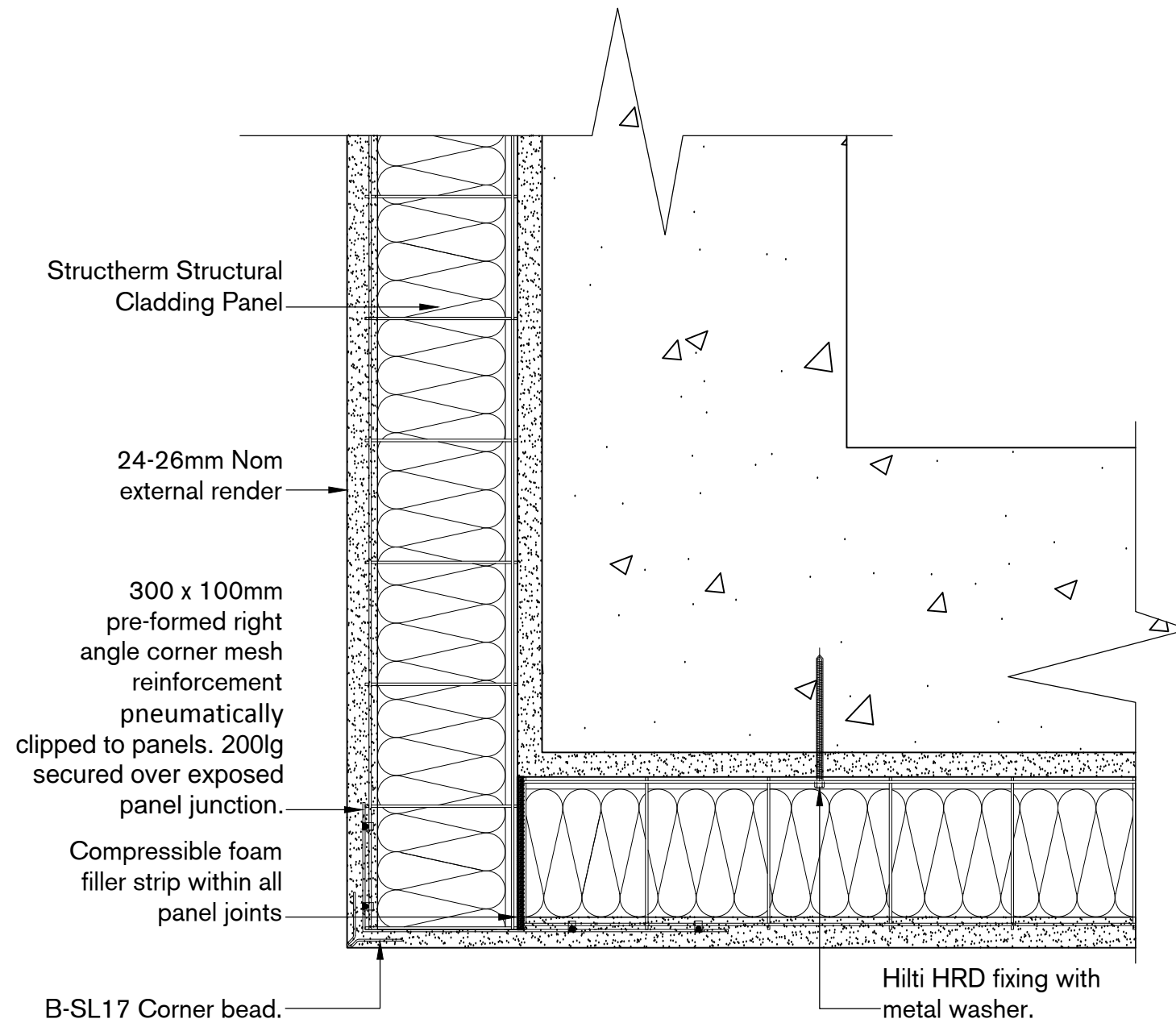
Title  
Slab Edge Fixing Detail - No Fines

Drawing No. <b>HR-SEWI-01</b>	Rev No. P1
----------------------------------	---------------

Date	Drawn By	Scale @ A3	Checked
Date	RG/GS	1:5	AC



**Structurterm Ltd**  
Bent Ley Road, Meltham, Holmfirth  
West Yorkshire  
HD9 4AP  
t: 01484 850098  
fax: 01484 851388  
e: sales@structurterm.co.uk  
[www.structurterm.co.uk](http://www.structurterm.co.uk)



Plan Corner detail - No Fines

DO NOT SCALE

General Notes

This drawing represents the interpretation by Structurerm of the project requirements. It is the responsibility of the contractor to check all site dimensions and the suitability of the details shown.

Structurerm are not responsible for any variations that occur through design changes by other parties or resulting from subsequent site surveys and the contractor will be appointed on this basis.

**PRELIMINARY**

Rev.	Date	Description	By
P1	Date	First Preliminary Issue	RG/GS

Client

Project  
SEWI Standard Details

Job No. 0000

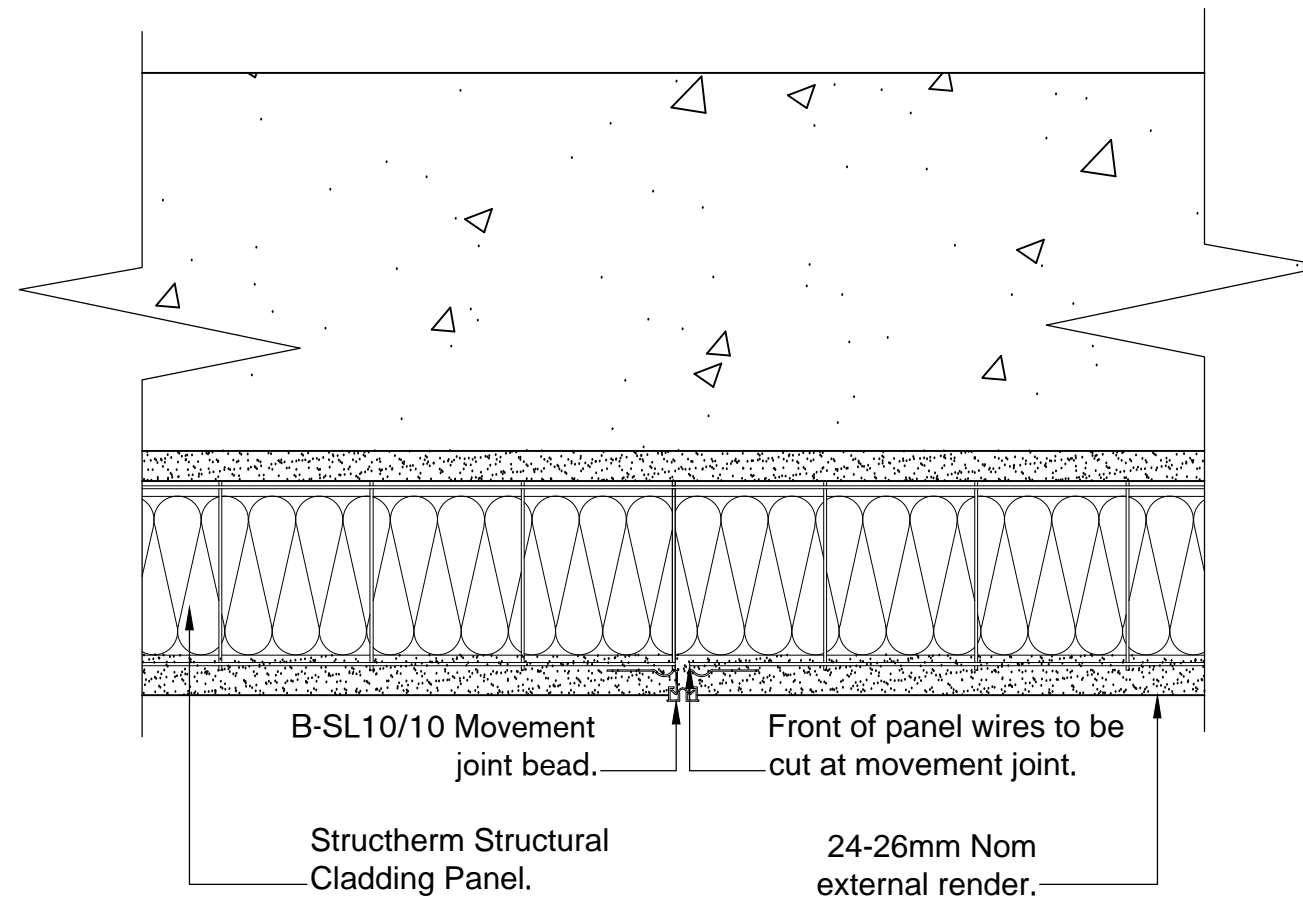
Title  
Plan Corner Detail-  
No Fines

Drawing No.	Rev No.
HR-SEWI-01	P1

Date	Drawn By	Scale @ A3	Checked
Date	RG/GS	1:5	AC

**Structurerm**  
STRUCTURAL INSULATED FACADES

**Structurerm Ltd**  
Bent Ley Road, Meltham, Holmfirth  
West Yorkshire  
HD9 4AP  
t: 01484 850098  
fax: 01484 851388  
e: sales@structurerm.co.uk  
[www.structurerm.co.uk](http://www.structurerm.co.uk)



Vertical movement joint detail -  
No Fines

DO NOT SCALE

General Notes

This drawing represents the interpretation by Structurerm of the project requirements. It is the responsibility of the contractor to check all site dimensions and the suitability of the details shown.

Structurerm are not responsible for any variations that occur through design changes by other parties or resulting from subsequent site surveys and the contractor will be appointed on this basis.

**PRELIMINARY**

Rev.	Date	Description	By
P1	Date	First Preliminary Issue	RG/GS

Client

Project  
SEWI Standard Details

Job No. 0000

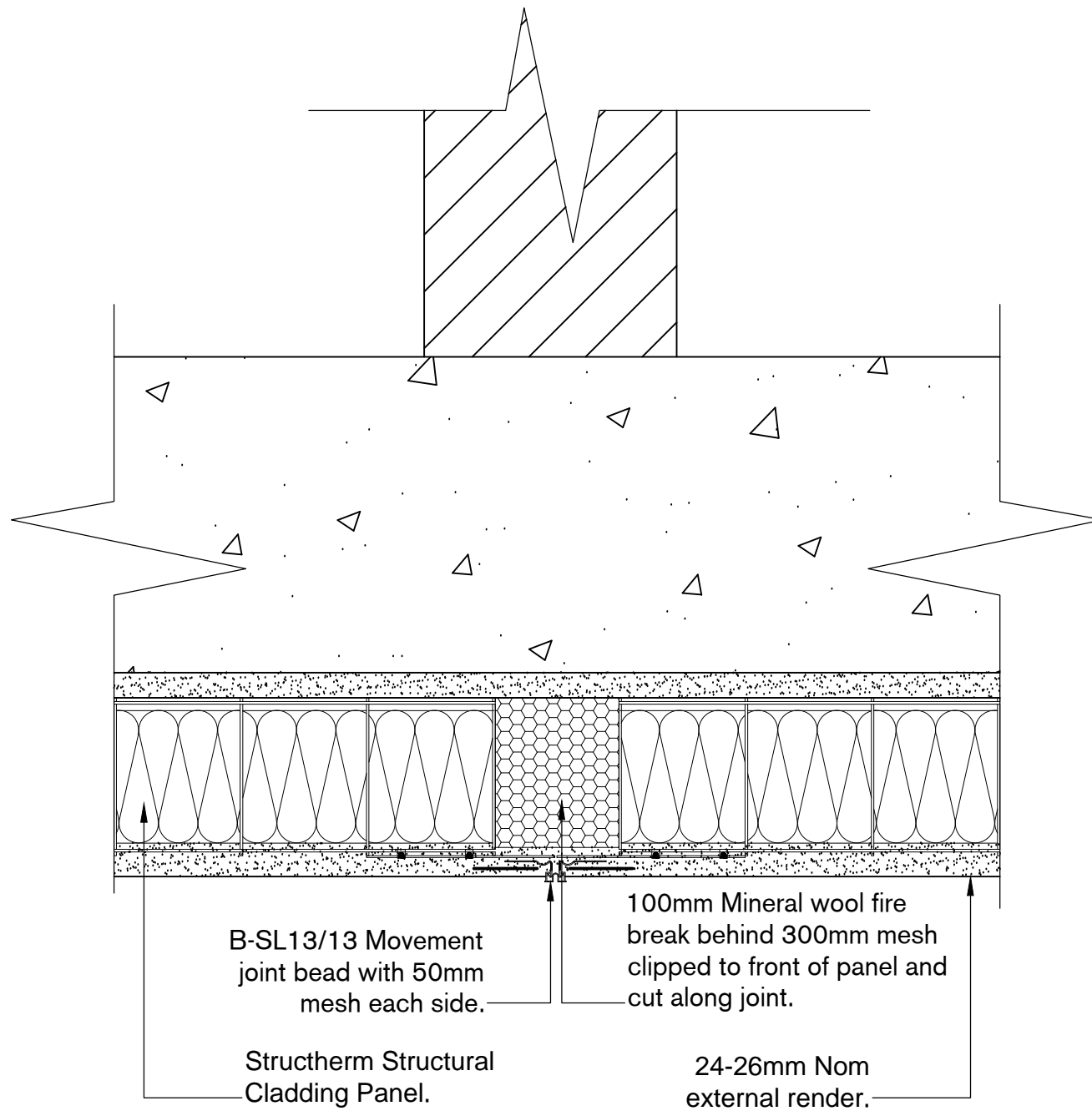
Title  
Vertical movement joint detail -  
No Fines

Drawing No.	Rev No.
HR-SEWI-03	P1

Date	Drawn By	Scale @ A3	Checked
Date	RG/GS	1:5	AC

**Structurerm**  
STRUCTURAL INSULATED FACADES

**Structurerm Ltd**  
Bent Ley Road, Meltham, Holmfirth  
West Yorkshire  
HD9 4AP  
t: 01484 850098  
fax: 01484 851388  
e: sales@structurerm.co.uk  
[www.structurerm.co.uk](http://www.structurerm.co.uk)



Vertical movement joint detail at fire break position - No Fines

DO NOT SCALE

General Notes

This drawing represents the interpretation by Structherm of the project requirements. It is the responsibility of the contractor to check all site dimensions and the suitability of the details shown.

Structherm are not responsible for any variations that occur through design changes by other parties or resulting from subsequent site surveys and the contractor will be appointed on this basis.

**PRELIMINARY**

Rev.	Date	Description	By
P1	Date	First Preliminary Issue	RG/GS

Client

Project  
SEWI Standard Details

Job No. 0000

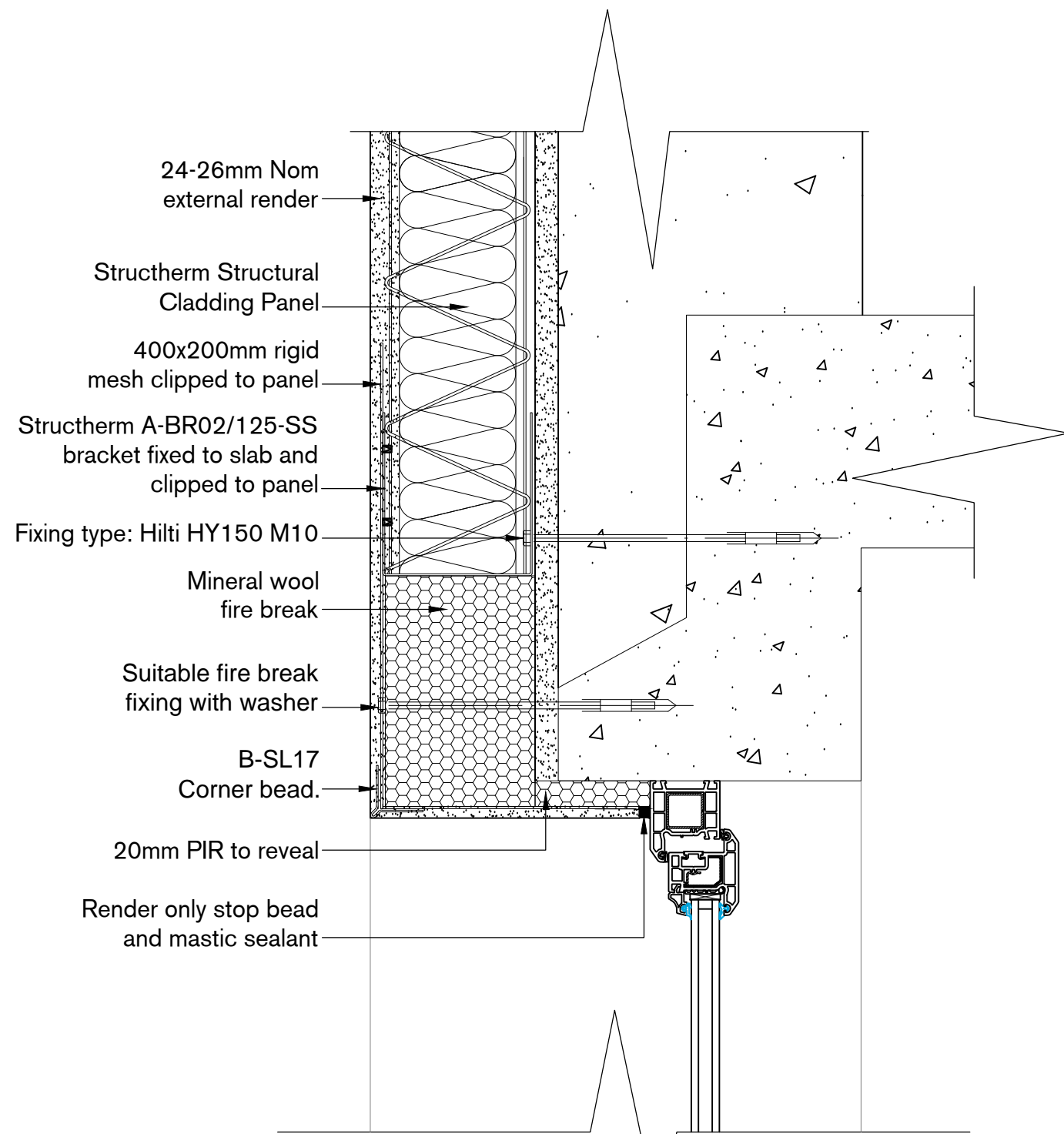
Title  
Vertical movement joint detail at fire break position - No Fines

Drawing No. <b>HR-SEWI-04</b>	Rev No. P1
----------------------------------	---------------

Date	Drawn By	Scale @ A3	Checked
Date	RG/GS	1:5	AC

**Structherm**  
STRUCTURAL INSULATED FACADES

**Structherm Ltd**  
Bent Ley Road, Meltham, Holmfirth  
West Yorkshire  
HD9 4AP  
t: 01484 850098  
fax: 01484 851388  
e: sales@strctherm.co.uk  
[www.strctherm.co.uk](http://www.strctherm.co.uk)



Window Head Detail  
- No Fines

DO NOT SCALE

General Notes

This drawing represents the interpretation by Struchtherm of the project requirements. It is the responsibility of the contractor to check all site dimensions and the suitability of the details shown.

Struchtherm are not responsible for any variations that occur through design changes by other parties or resulting from subsequent site surveys and the contractor will be appointed on this basis.

**PRELIMINARY**

Rev.	Date	Description	By
P1	Date	First Preliminary Issue	RG/GS

Client

Project  
SEWI Standard Details

Job No. 0000

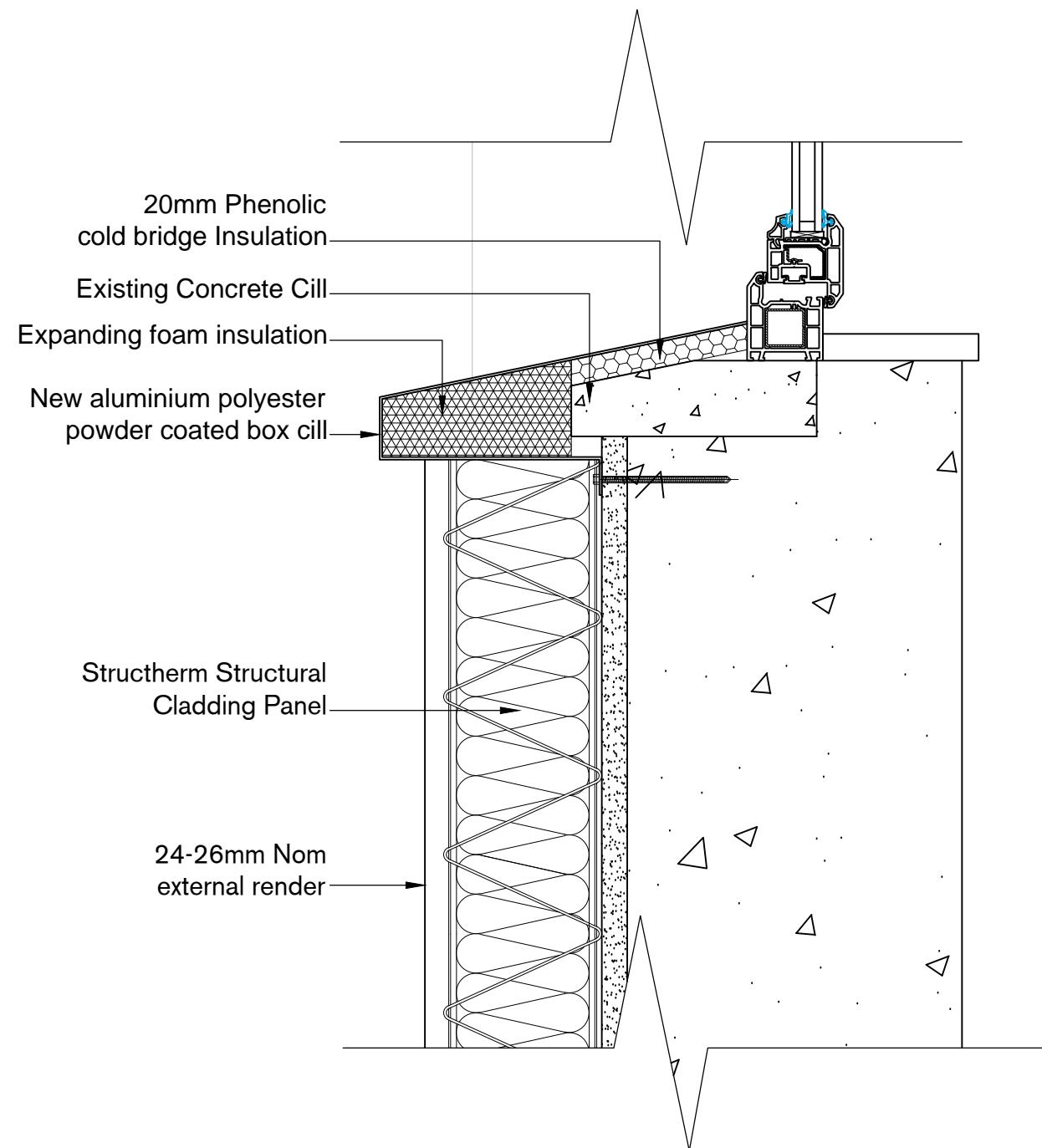
Title  
Window Head Detail -  
No Fines

Drawing No. <b>HR-SEWI-05</b>	Rev No. P1
----------------------------------	---------------

Date	Drawn By	Scale @ A3	Checked
Date	RG/GS	1:5	AC



**Struchtherm Ltd**  
Bent Ley Road, Meltham, Holmfirth  
West Yorkshire  
HD9 4AP  
t: 01484 850098  
fax: 01484 851388  
e: sales@struchtherm.co.uk  
[www.struchtherm.co.uk](http://www.struchtherm.co.uk)



Window Cill Detail - No Fines

DO NOT SCALE

General Notes

This drawing represents the interpretation by Struchtherm of the project requirements. It is the responsibility of the contractor to check all site dimensions and the suitability of the details shown.

Struchtherm are not responsible for any variations that occur through design changes by other parties or resulting from subsequent site surveys and the contractor will be appointed on this basis.

**PRELIMINARY**

Rev.	Date	Description	By
P1	Date	First Preliminary Issue	RG/GS

Client

Project  
SEWI Standard Details

Job No. 0000

Title  
Window Cill detail - No Fines

Drawing No. <b>HR-SEWI-06</b>	Rev No. P1
----------------------------------	---------------

Date Date	Drawn By RG/GS	Scale @ A3 1:5	Checked AC
--------------	-------------------	-------------------	---------------

**Struchtherm**  
STRUCTURAL INSULATED FACADES

**Struchtherm Ltd**  
Bent Ley Road, Meltham, Holmfirth  
West Yorkshire  
HD9 4AP  
t: 01484 850098  
fax: 01484 851388  
e: sales@struchtherm.co.uk  
[www.struchtherm.co.uk](http://www.struchtherm.co.uk)

DO NOT SCALE

General Notes

This drawing represents the interpretation by Structerm of the project requirements. It is the responsibility of the contractor to check all site dimensions and the suitability of the details shown.

Structerm are not responsible for any variations that occur through design changes by other parties or resulting from subsequent site surveys and the contractor will be appointed on this basis.

**PRELIMINARY**

Rev.	Date	Description	By
P1	Date	First Preliminary Issue	RG/GS

Client

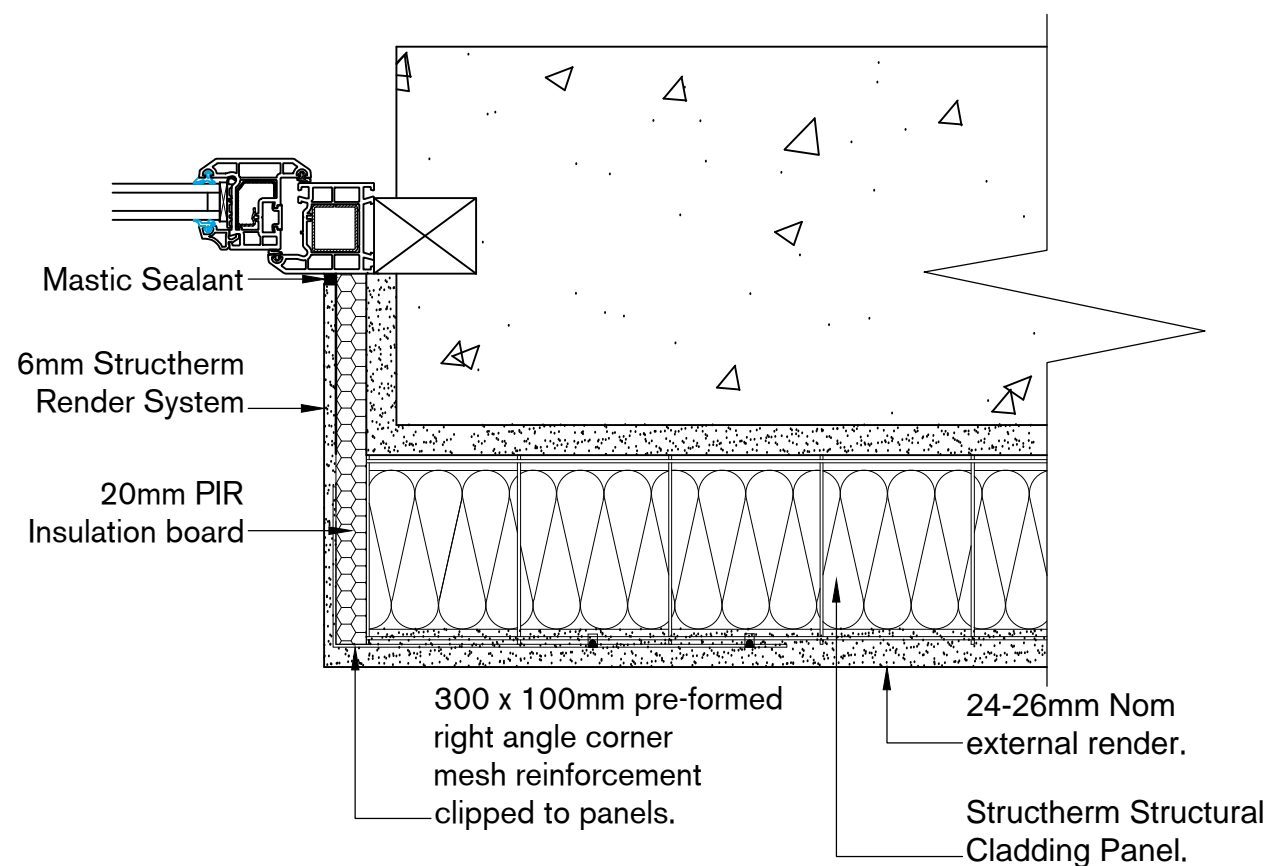
Project  
SEWI Standard Details

Job No. 0000

Title  
Window Reveal Detail -  
No Fines

Drawing No.	Rev No.
HR-SEWI-07	P1

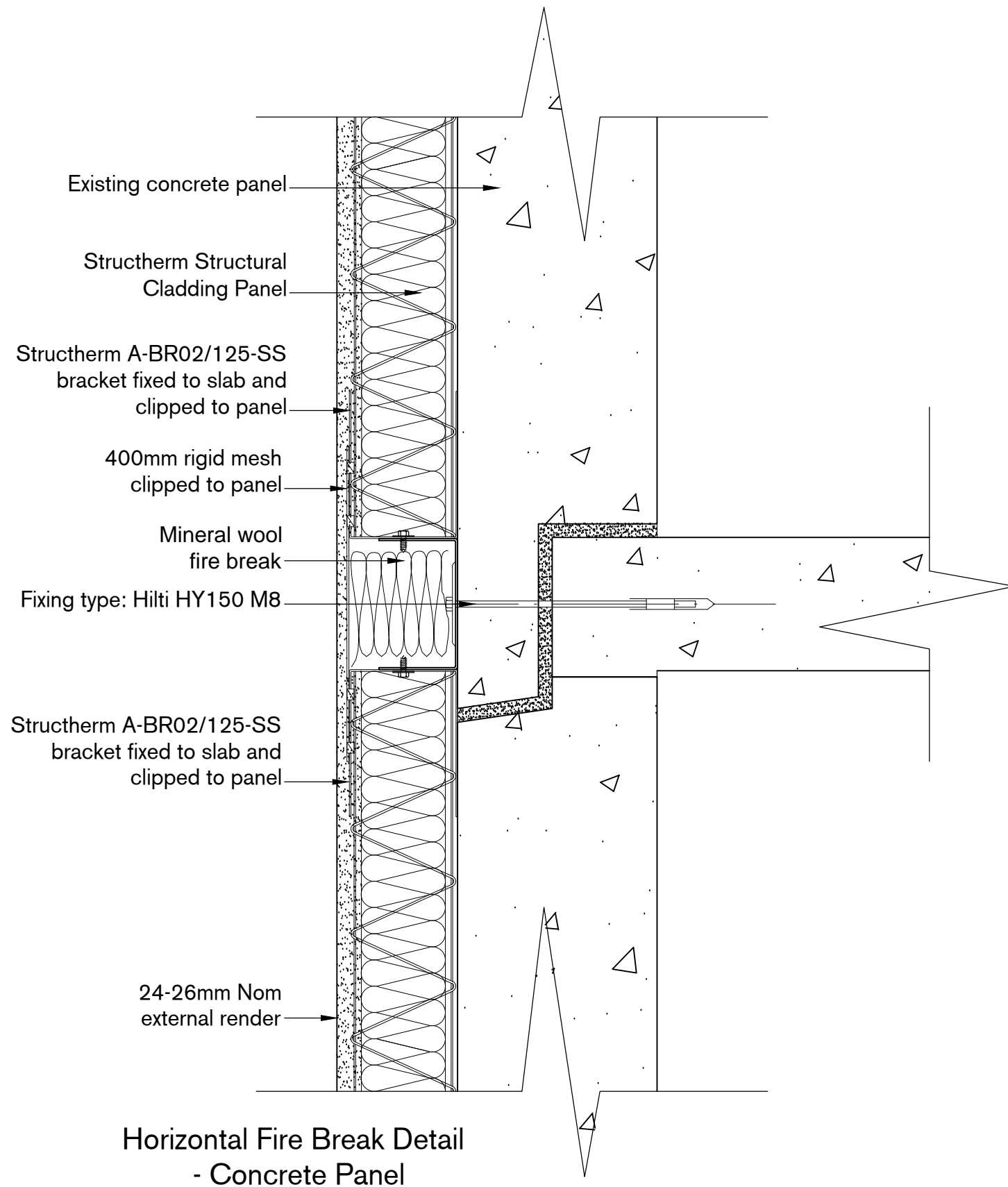
Date	Drawn By	Scale @ A3	Checked
Date	RG/GS	1:5	AC



Window Reveal Detail - No Fines

**Structerm**  
STRUCTURAL INSULATED FACADES

**Structerm Ltd**  
Bent Ley Road, Meltham, Holmfirth  
West Yorkshire  
HD9 4AP  
t: 01484 850098  
fax: 01484 851388  
e: sales@structerm.co.uk  
[www.structerm.co.uk](http://www.structerm.co.uk)



Horizontal Fire Break Detail  
- Concrete Panel

DO NOT SCALE

General Notes

This drawing represents the interpretation by Structherm of the project requirements. It is the responsibility of the contractor to check all site dimensions and the suitability of the details shown.

Structherm are not responsible for any variations that occur through design changes by other parties or resulting from subsequent site surveys and the contractor will be appointed on this basis.

**PRELIMINARY**

Rev.	Date	Description	By
P1	Date	First Preliminary Issue	RG/GS

Client

Project  
SEWI Standard Details

Job No. 0000

Title  
Horizontal Fire Break Detail -  
Concrete Panel

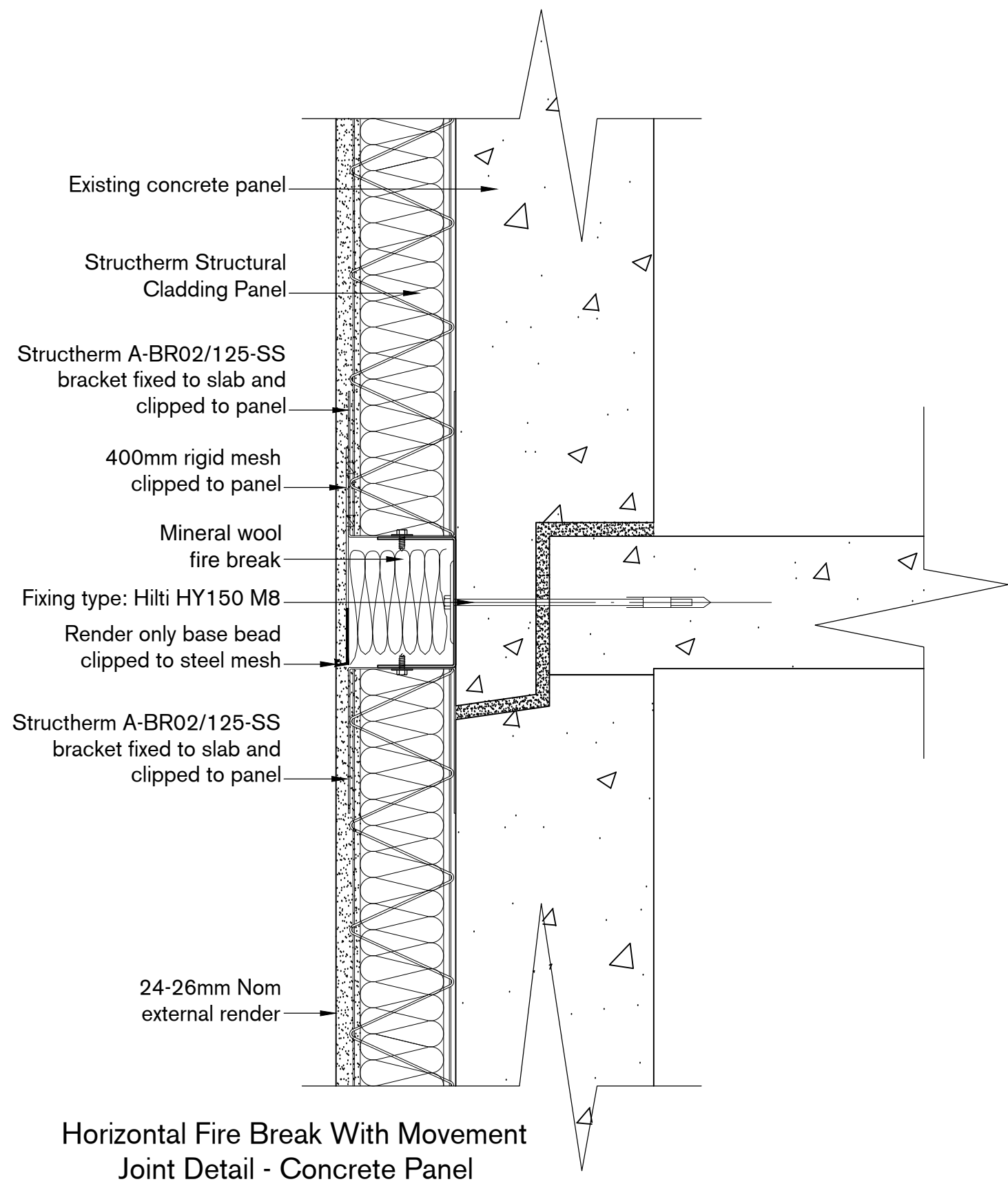
Drawing No.	Rev No.
HR-SEWI-08	P1

Date	Drawn By	Scale @ A3	Checked
Date	RG/GS	1:5	AC

**Structherm**  
STRUCTURAL INSULATED FACADES

**Structherm Ltd**  
Bent Ley Road, Meltham, Holmfirth  
West Yorkshire  
HD9 4AP  
t: 01484 850098  
fax: 01484 851388  
e: sales@strctherm.co.uk  
[www.strctherm.co.uk](http://www.strctherm.co.uk)





Horizontal Fire Break With Movement  
Joint Detail - Concrete Panel

DO NOT SCALE

General Notes

This drawing represents the interpretation by Structherm of the project requirements. It is the responsibility of the contractor to check all site dimensions and the suitability of the details shown.

Structherm are not responsible for any variations that occur through design changes by other parties or resulting from subsequent site surveys and the contractor will be appointed on this basis.

**PRELIMINARY**

Rev.	Date	Description	By
P1	Date	First Preliminary Issue	RG/GS

Client

Project  
SEWI Standard Details

Job No. 0000

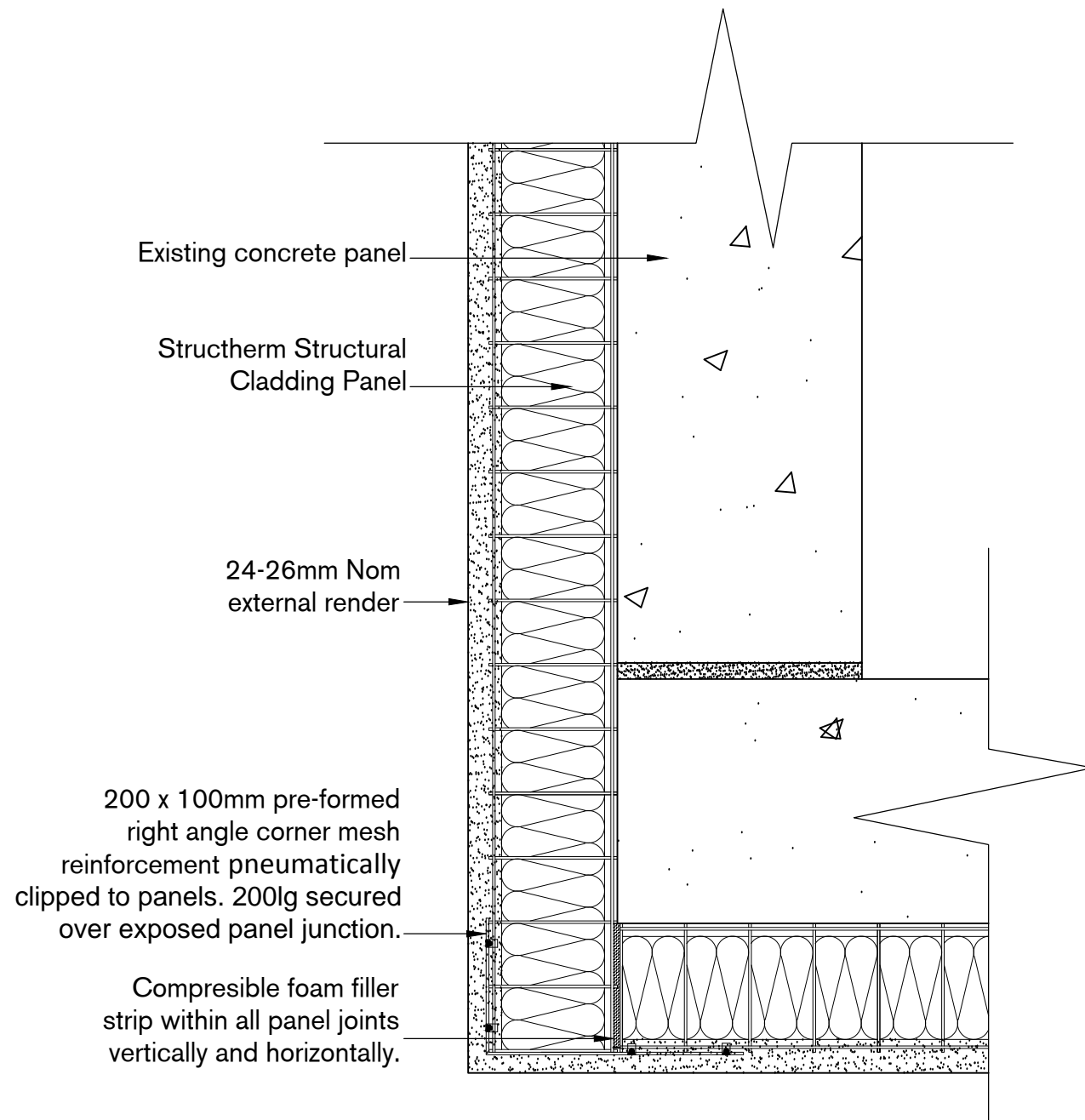
Title  
Horizontal Fire Break With Movement  
Joint Detail - Concrete Panel

Drawing No. <b>HR-SEWI-09</b>	Rev No. <b>P1</b>
----------------------------------	----------------------

Date	Drawn By	Scale @ A3	Checked
Date	RG/GS	1:5	AC



**Structherm Ltd**  
Bent Ley Road, Meltham, Holmfirth  
West Yorkshire  
HD9 4AP  
t: 01484 850098  
fax: 01484 851388  
e: sales@structherm.co.uk  
[www.structherm.co.uk](http://www.structherm.co.uk)



Plan Corner Detail -  
Concrete Panel

DO NOT SCALE

General Notes

This drawing represents the interpretation by Structurterm of the project requirements. It is the responsibility of the contractor to check all site dimensions and the suitability of the details shown.

Structurterm are not responsible for any variations that occur through design changes by other parties or resulting from subsequent site surveys and the contractor will be appointed on this basis.

**PRELIMINARY**

Rev.	Date	Description	By
P1	Date	First Preliminary Issue	RG/GS

Client

Project  
SEWI Standard Details

Job No. 0000

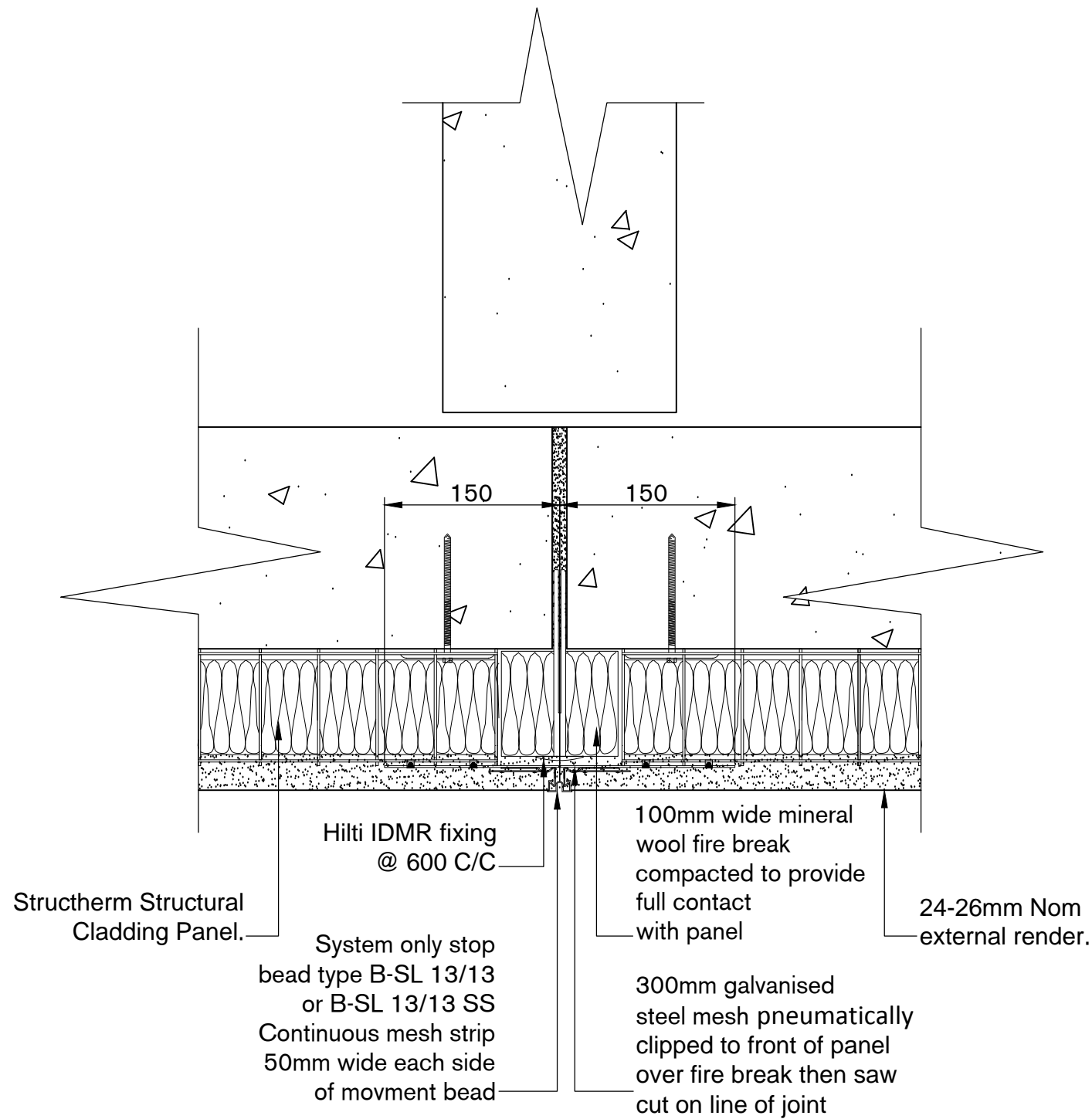
Title  
Plan Corner Detail -  
Concrete Panel

Drawing No. <b>HR-SEWI-10</b>	Rev No. P1
----------------------------------	---------------

Date	Drawn By	Scale @ A3	Checked
Date	RG/GS	1:5	AC

**Structurterm**  
STRUCTURAL INSULATED FACADES

**Structurterm Ltd**  
Bent Ley Road, Meltham, Holmfirth  
West Yorkshire  
HD9 4AP  
t: 01484 850098  
fax: 01484 851388  
e: sales@structurterm.co.uk  
[www.structurterm.co.uk](http://www.structurterm.co.uk)



Vertical fire break detail  
- Concrete Panel

DO NOT SCALE

General Notes

This drawing represents the interpretation by Structurthem of the project requirements. It is the responsibility of the contractor to check all site dimensions and the suitability of the details shown.

Structurthem are not responsible for any variations that occur through design changes by other parties or resulting from subsequent site surveys and the contractor will be appointed on this basis.

**PRELIMINARY**

Rev.	Date	Description	By
P1	Date	First Preliminary Issue	RG/GS

Client

Project  
SEWI Standard Details

Job No. RG/GS

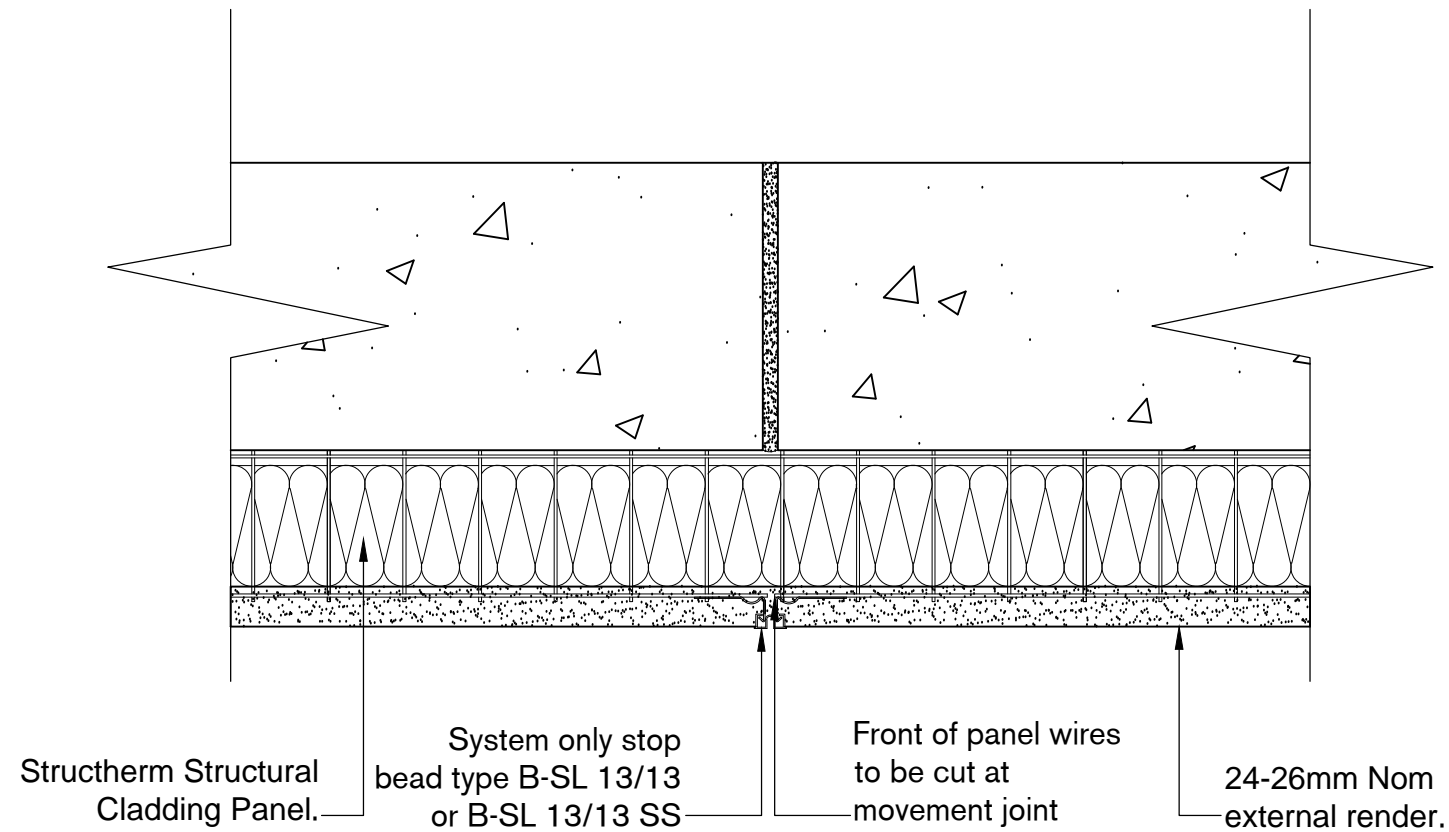
Title  
Vertical fire break detail - No  
Concrete Panel

Drawing No.	Rev No.
HR-SEWI-11	P1

Date	Drawn By	Scale @ A3	Checked
Date	RG/GS	1:5	AC

**Structurthem**  
STRUCTURAL INSULATED FACADES

**Structurthem Ltd**  
Bent Ley Road, Meltham, Holmfirth  
West Yorkshire  
HD9 4AP  
t: 01484 850098  
fax: 01484 851388  
e: sales@structurthem.co.uk  
[www.structurthem.co.uk](http://www.structurthem.co.uk)



Vertical movement joint detail  
- Concrete Panel

DO NOT SCALE

General Notes

This drawing represents the interpretation by Structurterm of the project requirements. It is the responsibility of the contractor to check all site dimensions and the suitability of the details shown.

Structurterm are not responsible for any variations that occur through design changes by other parties or resulting from subsequent site surveys and the contractor will be appointed on this basis.

**PRELIMINARY**

Rev.	Date	Description	By
P1	Date	First Preliminary Issue	RG/GS

Client

Project  
SEWI Standard Details

Job No. RG/GS

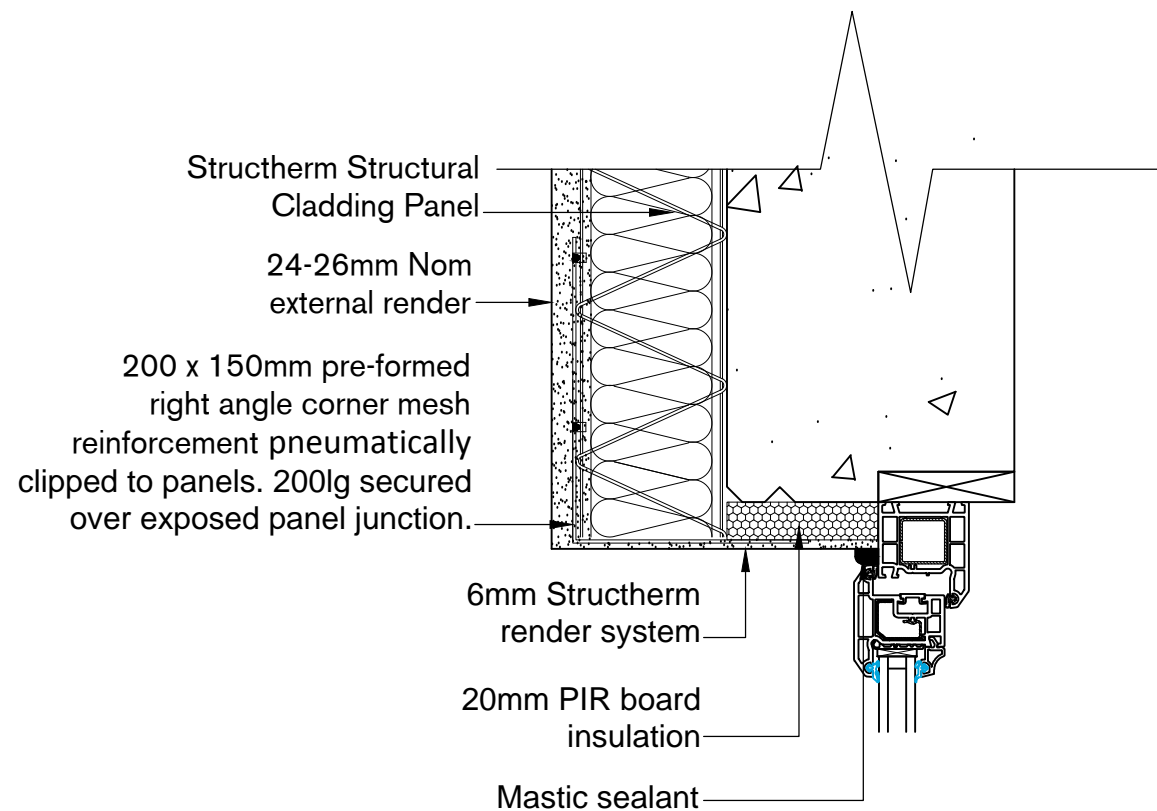
Title  
Vertical movement joint detail -  
Concrete Panel

Drawing No.	Rev No.
HR-SEWI-12	P1

Date	Drawn By	Scale @ A3	Checked
Date	RG/GS	1:5	AC

**Structurterm**  
STRUCTURAL INSULATED FACADES

**Structurterm Ltd**  
Bent Ley Road, Meltham, Holmfirth  
West Yorkshire  
HD9 4AP  
t: 01484 850098  
fax: 01484 851388  
e: sales@structurterm.co.uk  
[www.structurterm.co.uk](http://www.structurterm.co.uk)



Window Head Detail  
- Concrete Panel

DO NOT SCALE

General Notes

This drawing represents the interpretation by Struchterm of the project requirements. It is the responsibility of the contractor to check all site dimensions and the suitability of the details shown.

Struchterm are not responsible for any variations that occur through design changes by other parties or resulting from subsequent site surveys and the contractor will be appointed on this basis.

**PRELIMINARY**

Rev.	Date	Description	By
P1	Date	First Preliminary Issue	RG/GS

Client

Project  
SEWI Standard Details

Job No. RG/GS

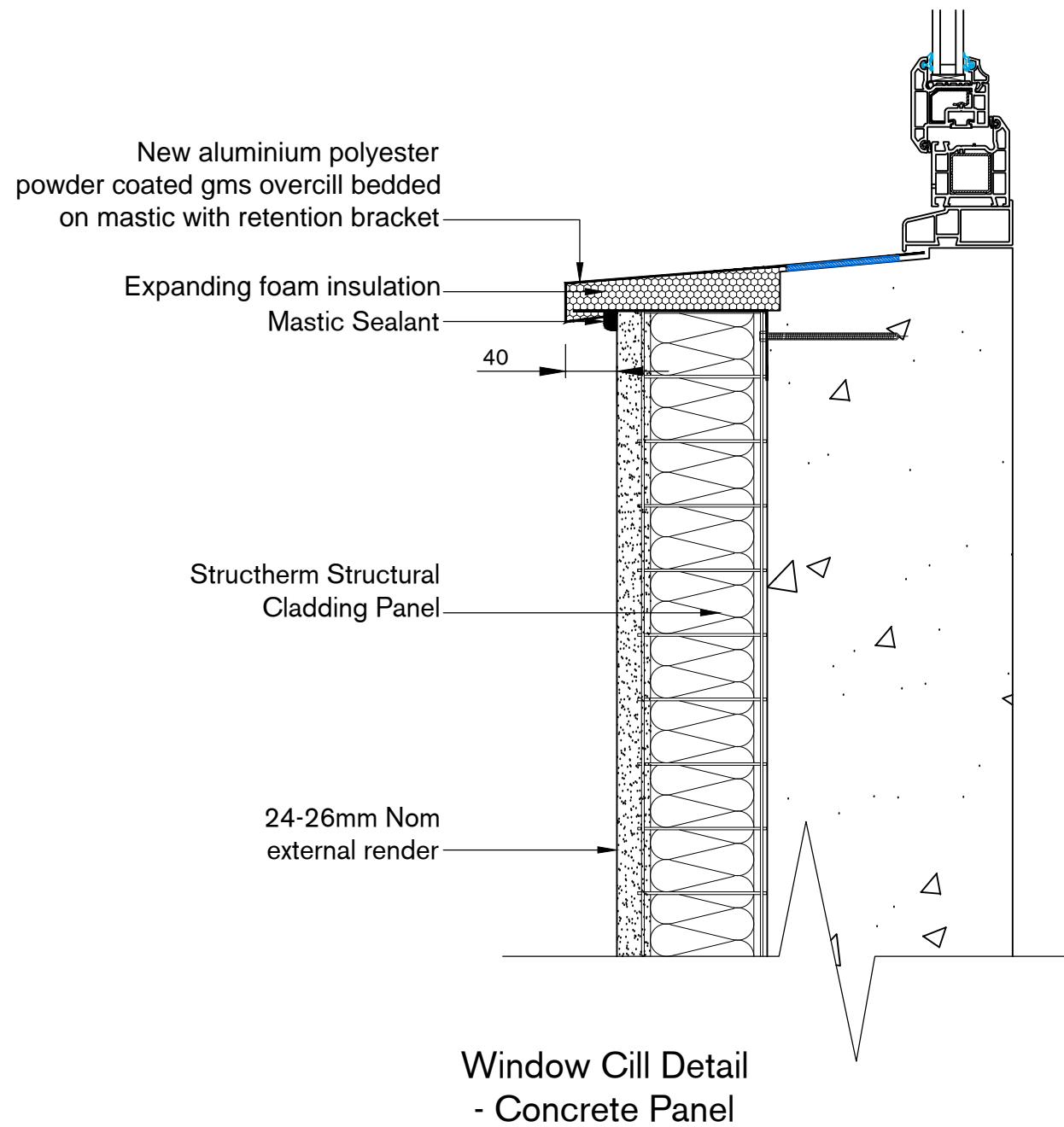
Title  
Window Head Detail-  
Concrete Panel

Drawing No. <b>HR-SEWI-13</b>	Rev No. P1
----------------------------------	---------------

Date Date	Drawn By RG/GS	Scale @ A3 1:5	Checked AC
--------------	-------------------	-------------------	---------------

**Struchterm**  
STRUCTURAL INSULATED FACADES

**Struchterm Ltd**  
Bent Ley Road, Meltham, Holmfirth  
West Yorkshire  
HD9 4AP  
t: 01484 850098  
fax: 01484 851388  
e: sales@struchterm.co.uk  
[www.struchterm.co.uk](http://www.struchterm.co.uk)



DO NOT SCALE

General Notes

This drawing represents the interpretation by Structurerm of the project requirements. It is the responsibility of the contractor to check all site dimensions and the suitability of the details shown.

Structurerm are not responsible for any variations that occur through design changes by other parties or resulting from subsequent site surveys and the contractor will be appointed on this basis.

**PRELIMINARY**

Rev.	Date	Description	By
P1	Date	First Preliminary Issue	RG/GS

Client

Project  
SEWI Standard Details

Job No. RG/GS

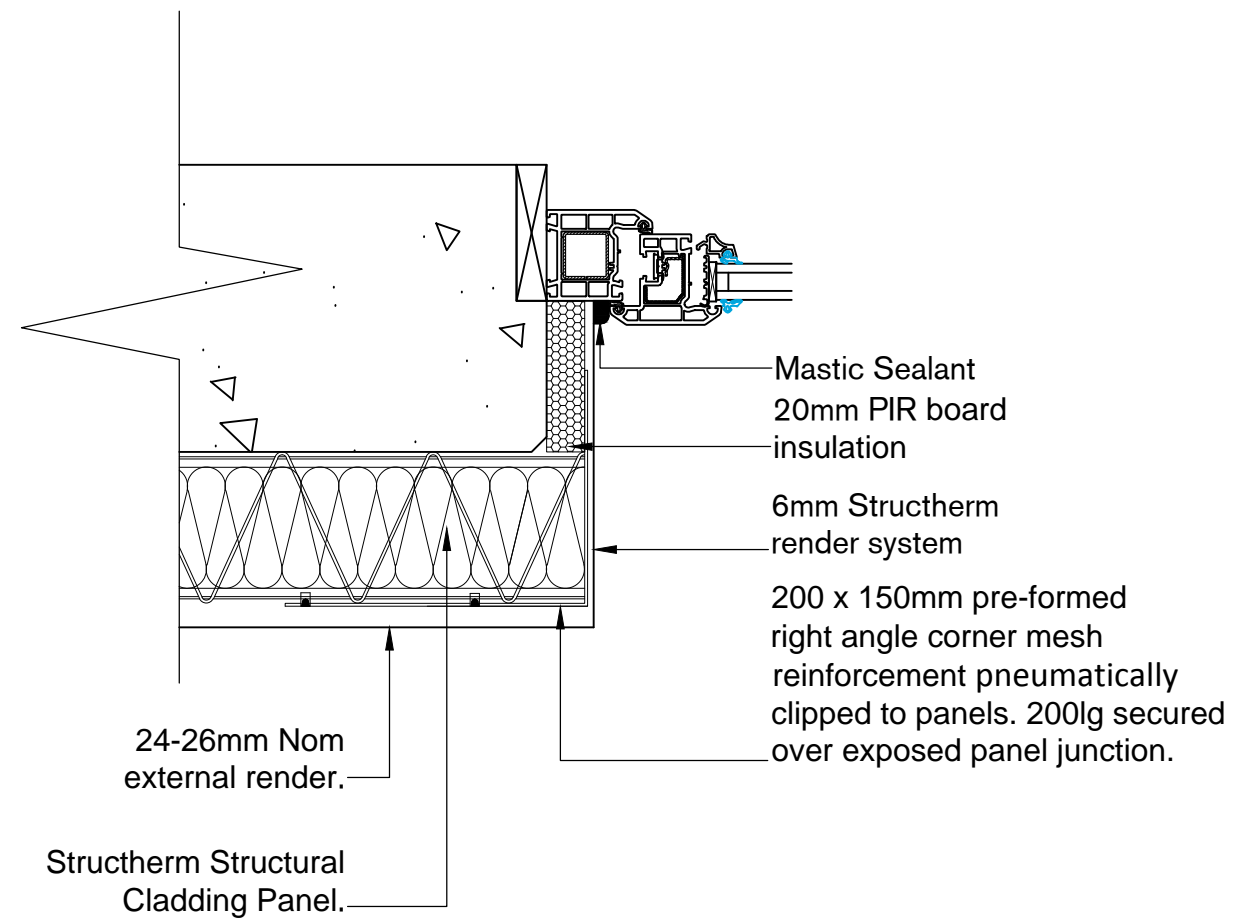
Title  
Window Cill detail - Concrete Panel

Drawing No.	Rev No.
HR-SEWI-14	P1

Date	Drawn By	Scale @ A3	Checked
Date	RG/GS	1:5	AC

**Structurerm**  
STRUCTURAL INSULATED FACADES

**Structurerm Ltd**  
Bent Ley Road, Meltham, Holmfirth  
West Yorkshire  
HD9 4AP  
t: 01484 850098  
fax: 01484 851388  
e: sales@structurerm.co.uk  
[www.structurerm.co.uk](http://www.structurerm.co.uk)



Window Jamb Detail  
- Concrete Panel

DO NOT SCALE

General Notes

This drawing represents the interpretation by Structherm of the project requirements. It is the responsibility of the contractor to check all site dimensions and the suitability of the details shown.

Structherm are not responsible for any variations that occur through design changes by other parties or resulting from subsequent site surveys and the contractor will be appointed on this basis.

**PRELIMINARY**

Rev.	Date	Description	By
P1	Date	First Preliminary Issue	RG/GS

Client

Project  
SEWI Standard Details

Job No. RG/GS

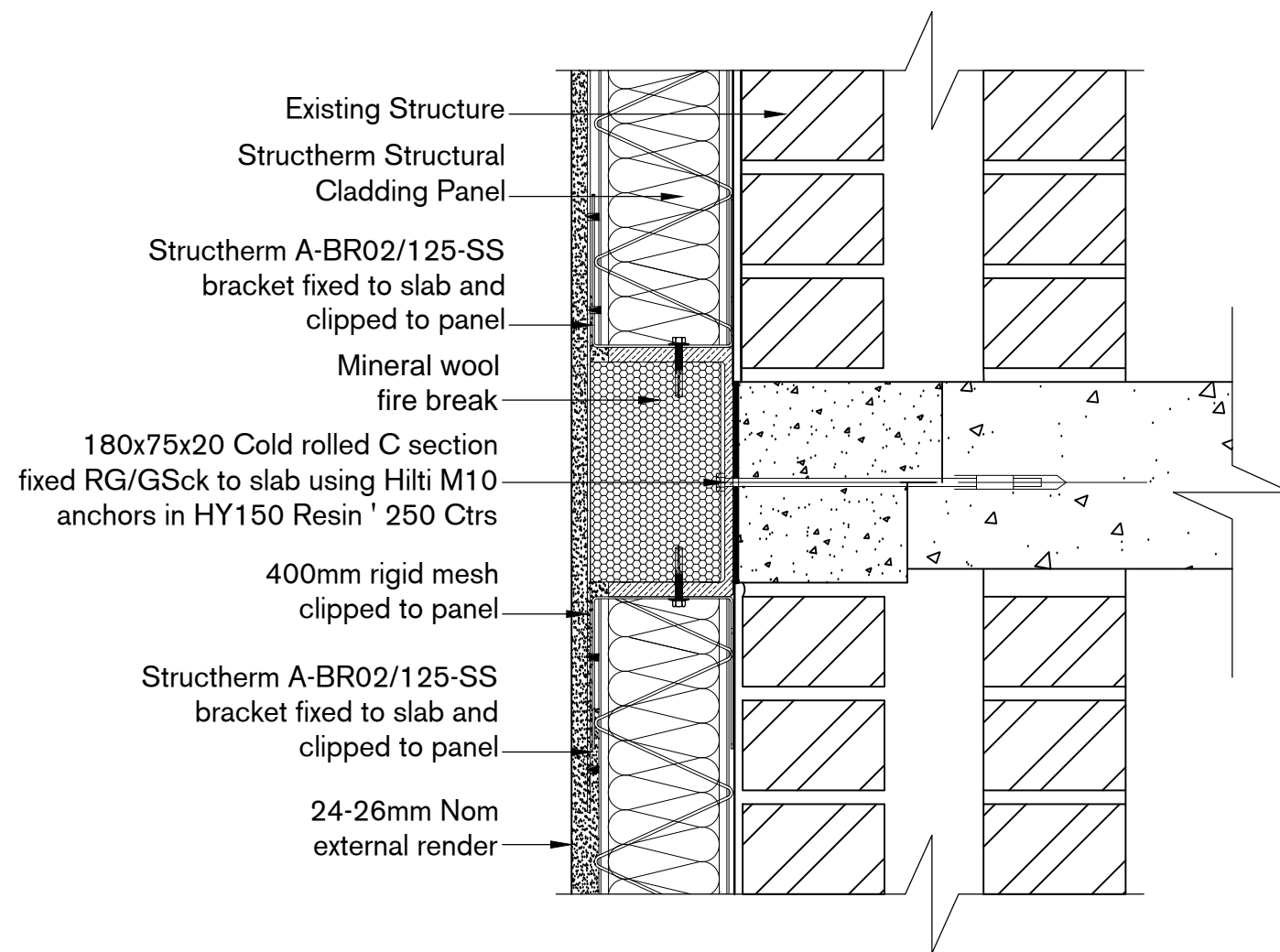
Title  
Window Jamb Detail -  
Concrete Panel

Drawing No. <b>HR-SEWI-15</b>	Rev No. P1
----------------------------------	---------------

Date	Drawn By	Scale @ A3	Checked
Date	RG/GS	1:5	AC



**Structherm Ltd**  
Bent Ley Road, Meltham, Holmfirth  
West Yorkshire  
HD9 4AP  
t: 01484 850098  
fax: 01484 851388  
e: sales@structherm.co.uk  
[www.structherm.co.uk](http://www.structherm.co.uk)



**Slab Edge Detail  
- Concrete Slab and Brickwork Walls**

DO NOT SCALE

General Notes

This drawing represents the interpretation by Structherm of the project requirements. It is the responsibility of the contractor to check all site dimensions and the suitability of the details shown.

Structherm are not responsible for any variations that occur through design changes by other parties or resulting from subsequent site surveys and the contractor will be appointed on this basis.

**PRELIMINARY**

Rev.	Date	Description	By
P1	Date	First Preliminary Issue	RG/GS

Client

Project  
**SEWI Standard Details**

Job No. **RG/GS**

Title  
**Slab Edge Detail -  
Concrete Slab & Brickwork Walls**

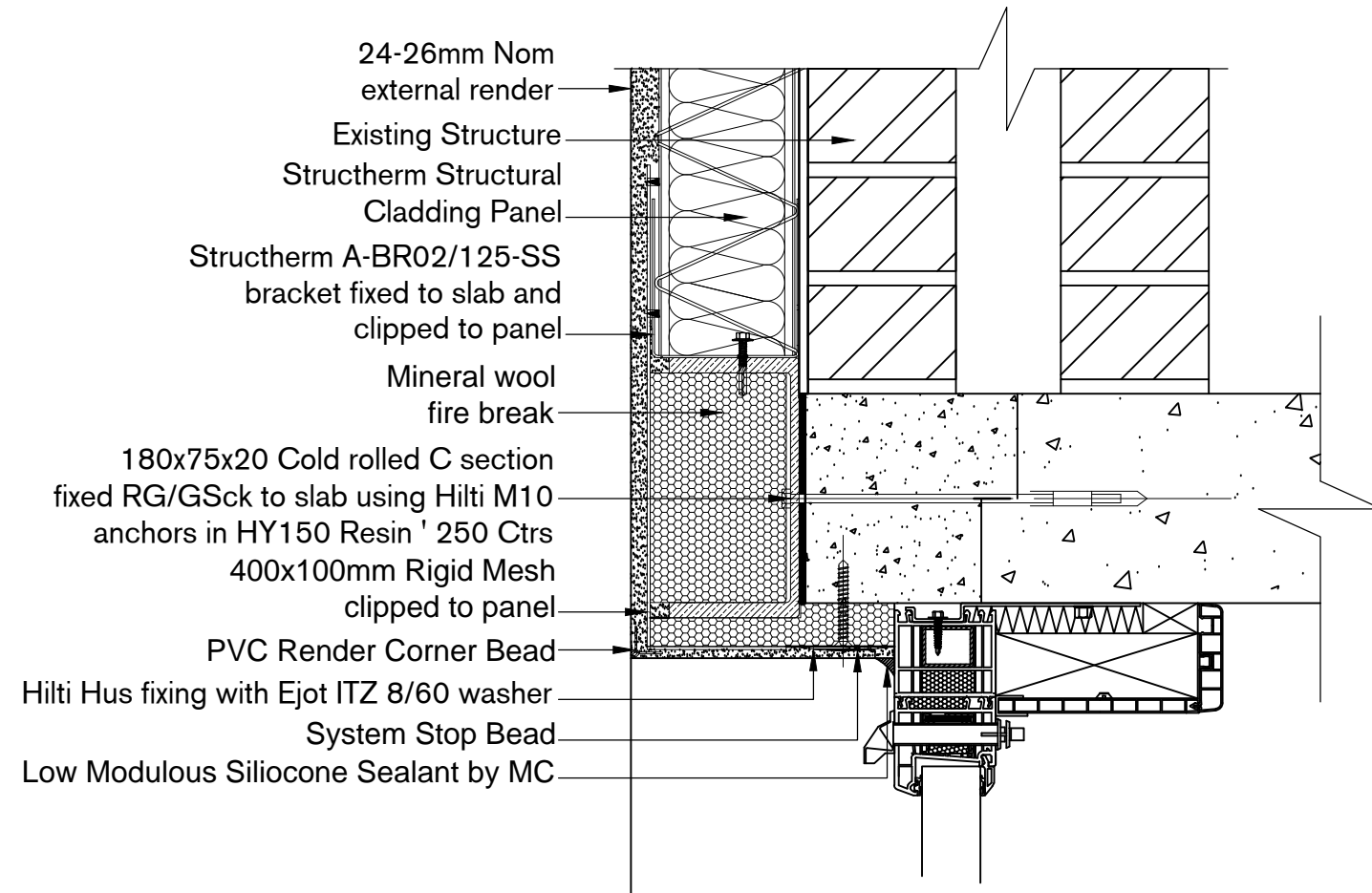
Drawing No. <b>HR-SEWI-16</b>	Rev No. <b>P1</b>
----------------------------------	----------------------

Date	Drawn By	Scale @ A3	Checked
Date	RG/GS	1:5	AC



**Structherm Ltd**  
Bent Ley Road, Meltham, Holmfirth  
West Yorkshire  
HD9 4AP  
t: 01484 850098  
fax: 01484 851388  
e: sales@structherm.co.uk  
[www.structherm.co.uk](http://www.structherm.co.uk)





Window Head Detail  
- Concrete Slab and Brickwork Walls

DO NOT SCALE

General Notes

This drawing represents the interpretation by Structherm of the project requirements. It is the responsibility of the contractor to check all site dimensions and the suitability of the details shown.

Structherm are not responsible for any variations that occur through design changes by other parties or resulting from subsequent site surveys and the contractor will be appointed on this basis.

**PRELIMINARY**

Rev.	Date	Description	By
P1	Date	First Preliminary Issue	RG/GS

Client

Project  
SEWI Standard Details

Job No. RG/GS

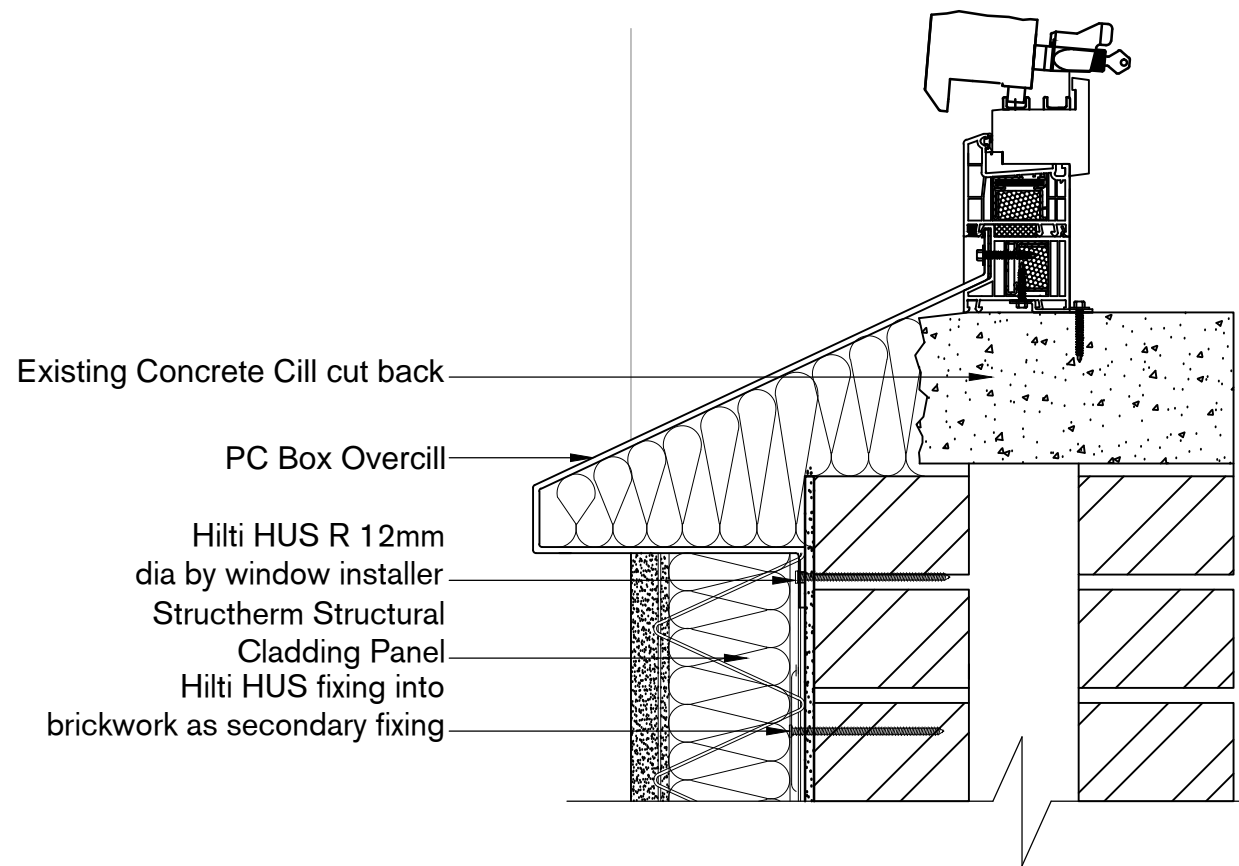
Title  
Window Head Detail -  
Concrete Slab and Brickwork Walls

Drawing No.	Rev No.
HR-SEWI-17	P1

Date	Drawn By	Scale @ A3	Checked
Date	RG/GS	1:5	AC

**Structherm**  
STRUCTURAL INSULATED FACADES

**Structherm Ltd**  
Bent Ley Road, Meltham, Holmfirth  
West Yorkshire  
HD9 4AP  
t: 01484 850098  
fax: 01484 851388  
e: sales@structherm.co.uk  
[www.structherm.co.uk](http://www.structherm.co.uk)



Window Cill Detail  
- Concrete Slab and Brickwork Walls

DO NOT SCALE

General Notes

This drawing represents the interpretation by Structherm of the project requirements. It is the responsibility of the contractor to check all site dimensions and the suitability of the details shown.

Structherm are not responsible for any variations that occur through design changes by other parties or resulting from subsequent site surveys and the contractor will be appointed on this basis.

**PRELIMINARY**

Rev.	Date	Description	By
P1	Date	First Preliminary Issue	RG/GS

Client

Project  
SEWI Standard Details

Job No. RG/GS

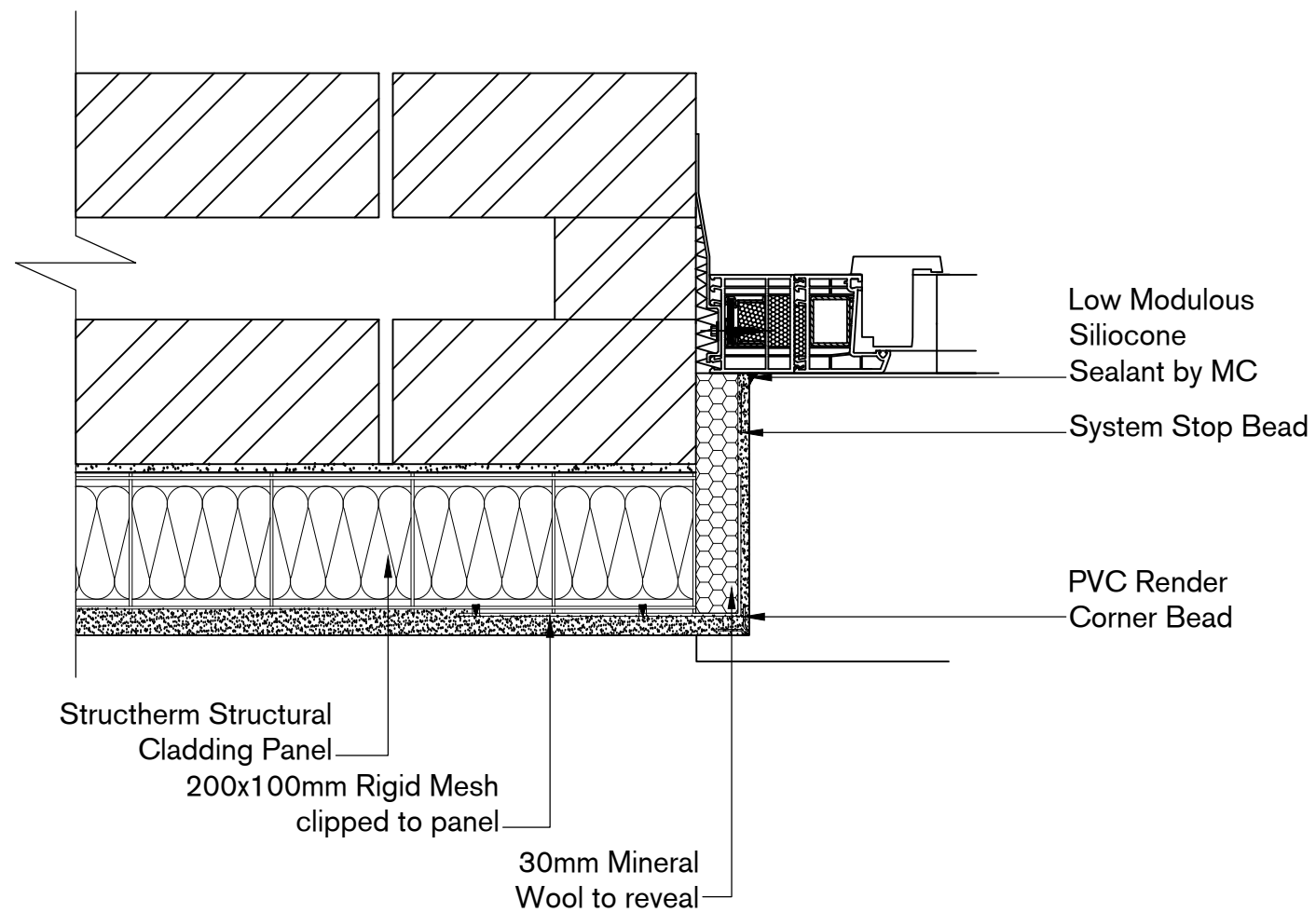
Title  
Window Cill Detail -  
Concrete Slab and Brickwork Walls

Drawing No. <b>HR-SEWI-18</b>	Rev No. P1
----------------------------------	---------------

Date	Drawn By	Scale @ A3	Checked
Date	RG/GS	1:5	AC

**Structherm**  
STRUCTURAL INSULATED FACADES

**Structherm Ltd**  
Bent Ley Road, Meltham, Holmfirth  
West Yorkshire  
HD9 4AP  
t: 01484 850098  
fax: 01484 851388  
e: sales@structherm.co.uk  
[www.structherm.co.uk](http://www.structherm.co.uk)



Window Reveal Detail  
- Concrete Slab and Brickwork Walls

DO NOT SCALE

General Notes

This drawing represents the interpretation by Structurterm of the project requirements. It is the responsibility of the contractor to check all site dimensions and the suitability of the details shown.

Structurterm are not responsible for any variations that occur through design changes by other parties or resulting from subsequent site surveys and the contractor will be appointed on this basis.

**PRELIMINARY**

Rev.	Date	Description	By
P1	Date	First Preliminary Issue	RG/GS

Client

Project  
SEWI Standard Details

Job No. RG/GS

Title  
Window Reveal Detail  
Concrete Slab and Brickwork  
Walls

Drawing No.	Rev No.
HR-SEWI-19	P1

Date	Drawn By	Scale @ A3	Checked
Date	RG/GS	1:5	AC

**Structurterm**  
STRUCTURAL INSULATED FACADES

**Structurterm Ltd**  
Bent Ley Road, Meltham, Holmfirth  
West Yorkshire  
HD9 4AP  
t: 01484 850098  
fax: 01484 851388  
e: sales@structurterm.co.uk  
[www.structurterm.co.uk](http://www.structurterm.co.uk)