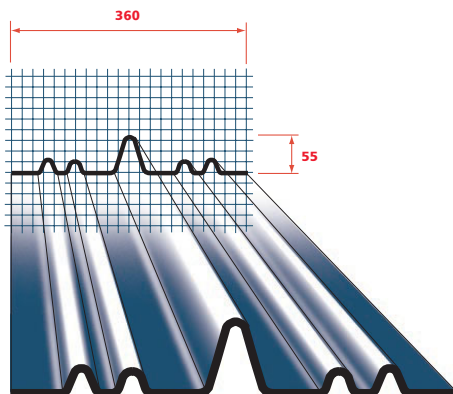


Dry Fix Valley Troughs



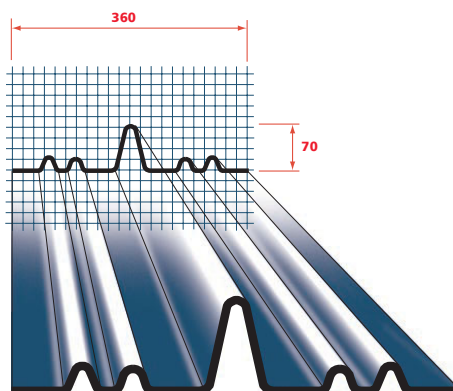
UK Patent Number 2 307 922

DVS/1/2 DRY FIX VALLEY TROUGH FOR SLATE ROOFS

Dry fix valley trough for slate roof applications

Supplied in packs of 5 units in either 2.4 or 3 m lengths.

DVS/1 × 3000mm – lead grey
DVS/2 × 2400mm – lead grey



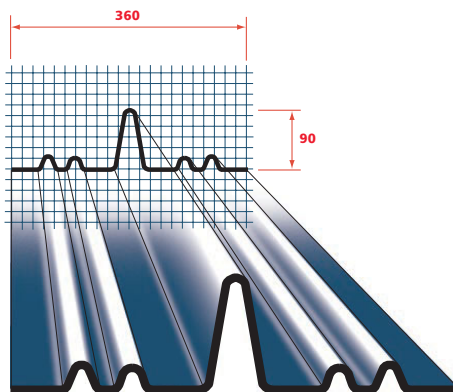
UK Patent Number 2 307 922

DVLPT/1/2 DRY FIX VALLEY TROUGH FOR PLAIN/LOW PROFILE TILES

Dry fix valley trough for plain and low profile tiles.

Supplied in packs of 5 units in either 2.4 or 3 m lengths.

DVLPT/1 × 3000mm – lead grey
DVLPT/2 × 2400mm – lead grey



UK Patent Number 2 307 922

DVT/1/2 DRY FIX VALLEY TROUGH FOR HIGH PROFILE TILES

Dry fix valley trough for high profile tiles.

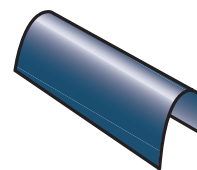
Supplied in packs of 5 units in either 2.4 or 3 m lengths.

DVT/1 × 3000mm – lead grey
DVT/2 × 2400mm – lead grey

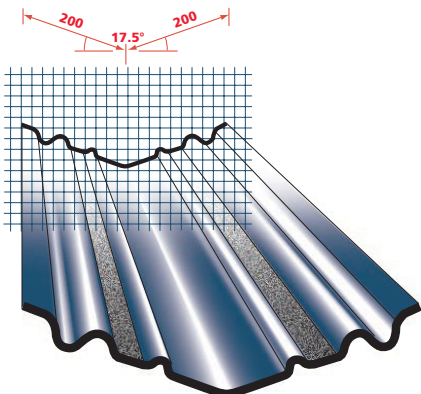
SMALL CUT TILE SUPPORT BRIDGE

Tile support bridge for use with DVT and DVLPT Valleys.

Code DVBP



Subject of UK Patent Application No.9826757.8 and/or Copyright.



HDL401, 402, 361 and 362 TILE VALLEY TROUGHS

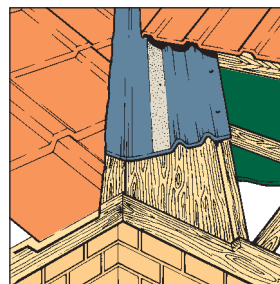
A popular valley trough incorporating mortar retention bars adjacent to the sand strip.

Supplied in packs of 10 units.

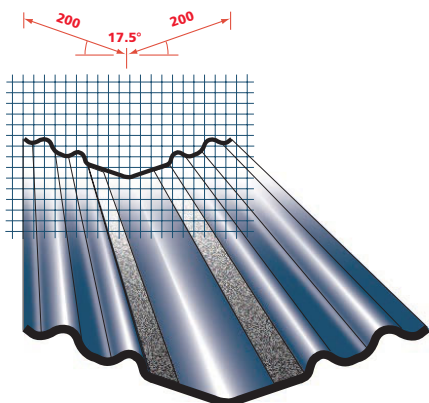
HDL401 Standard lead grey
W 400 × L 3000
HDL402 Standard lead grey
W 400 × L 2400

Also available 360mm wide –
HDL361 Standard lead grey
W 360 × L 3000
HDL362 Standard lead grey
W 360 × L 2400

Note: For pitches below 25 degrees we recommend using a 400 mm wide valley.



Valley Troughs



VT1, VT2, VT4, VT5 and VT6 TILE VALLEY TROUGHS

A valley trough designed exclusively for use with valley boards.

Supplied in packs of 10 units.

VT1 Standard lead grey

W 400 × L 3000

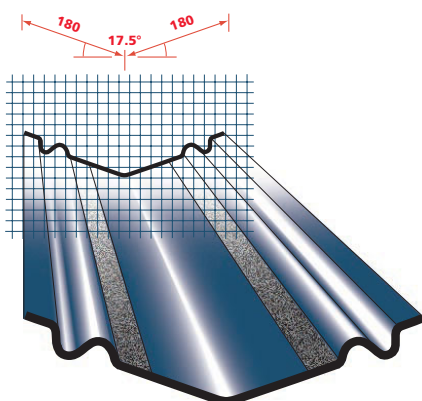
VT2 Standard lead grey

W 400 × L 2400

Colours to Special Order in 3 metre lengths:

VT4 Brown VT5 Rustic

VT6 Red



RP3 and RP4 TILE VALLEY TROUGH

A basic 'contract' valley trough with mortar bonding sanded strips.

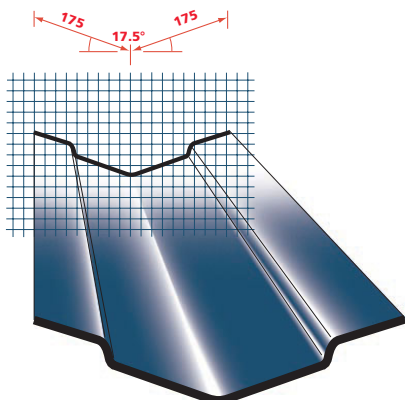
Supplied in packs of 10 units.

RP3 Standard lead grey

W 360 × L 3000

RP4 Standard lead grey

W 360 × L 2400



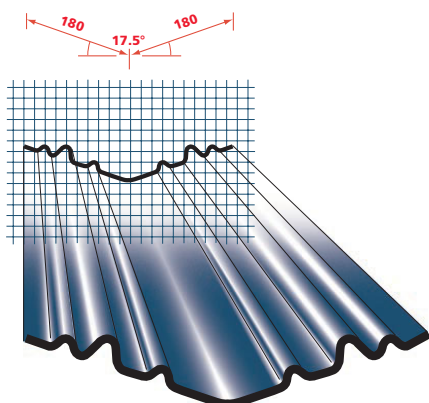
SVT SLATE VALLEY TROUGH

Designed for use with both natural or man made slates.

Supplied in packs of 10 units.

SVT For slate roofs

W 350 × L 3000



SSVT SCOTTISH SLATE VALLEY TROUGH

Specially designed for the Scottish market by Hambleside Danelaw – the Scottish Slate Valley Trough, a unique approach to the traditional boarded roof detail where slates are fitted directly to the sarking board.

The Slate Valley Trough (HD360 SSVT) manufactured in GRP to Hambleside Danelaw high quality standards BS EN ISO9002 and BBA approved, represents our commitment to fulfilling the demand for

different building practices in the construction industry.

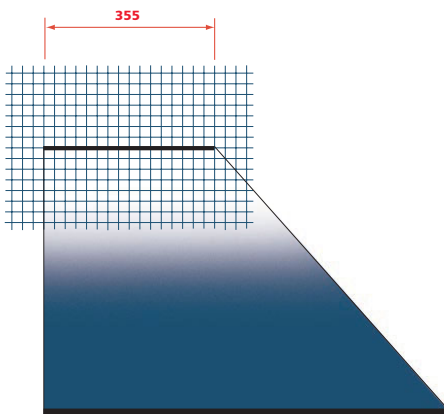
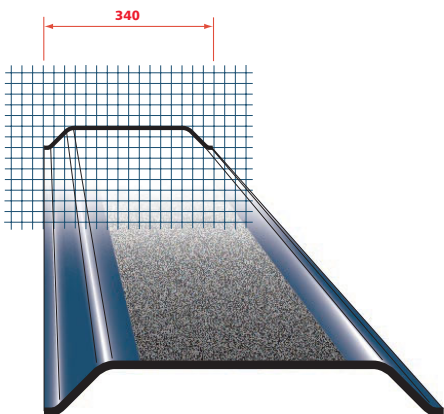
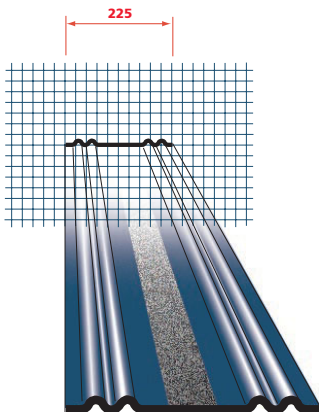
The Scottish roofing industry can now benefit from a slate valley alternative to lead that is lightweight, easy to install, cost effective and of no value to the thief!

Supplied in packs of 10 units.

HDL360 SSVT Scottish Slate Valley Trough W 360 × L 3000

2.10

Bonding Gutter™, DPC and Continuous Eaves Course



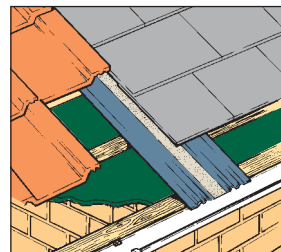
BG BONDING GUTTER™

For use to join dissimilar roof coverings, e.g. slate to tile, or different profile concrete tiles on terraced or semi-detached housing.

Supplied in packs of 10 units.
BG Bonding Gutter
W 225 × L 3000

- The ORIGINAL design permitting mortar to spread when bedding without risk of blocking the water channels
- Lightweight GRP in 3 metre lengths

- Huge time saving over traditional methods
- Minimal disturbance to the existing roof
- Can be used with fire break



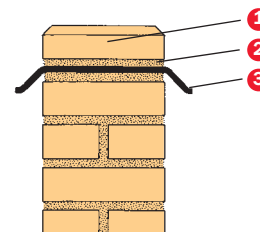
DPC DAMP PROOF COURSE

A damp proof course specially developed for parapet wall applications incorporating a wide sanded strip for mortar bonding.

Supplied in packs of 10 units.

DPC Damp Proof Course
W 340 × L 2440

- 1 Capping stone
- 2 Mortar
- 3 Damp proof course

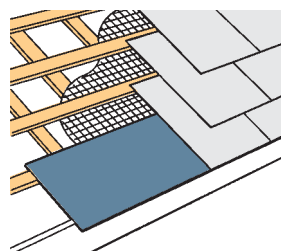


CECS CONTINUOUS EAVES COURSE

Replaces the need to cut slates to form a support eaves course.

Supplied in packs of 10 units.

CECS Continuous Eaves Course
W 355 × L 3000 mm



VALLEY TROUGH FEATURES

HAMBLESIDE DANELAW VALLEY TROUGHS PROVIDE THE FOLLOWING BENEFITS

- Market leader
- Up to half the cost of traditional lead installation
- Available in lead grey. Tile matching colours on request
- Lightweight, easy to handle 2.4 and 3 metre lengths
- Adaptable from 5° to 60° pitches
- Some profiles can be fitted using counter battens but we recommend the use of valley boards in all cases
- Use lead saddle at ridge
- Proven durability
- Versions suitable for tile or slate roofs
- 30 year guarantee
- British Board of Agrément approved



Certificate No. 87/1915
3rd Issue GRP Flashings

Technical Information – BS5534 Part 1 – Open Valleys

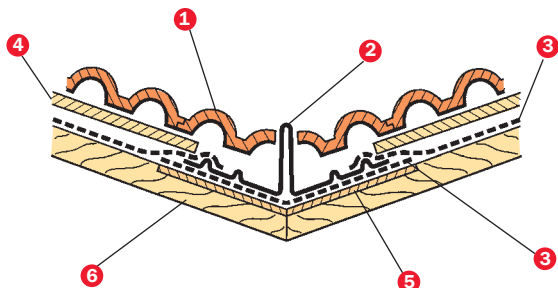
Special care should be taken to ensure that a clear unobstructed channel of not less than 100 mm is formed. The HDL range of 'Open Valleys' is manufactured to this requirement.

2.11

Installation of GRP Valley Troughs

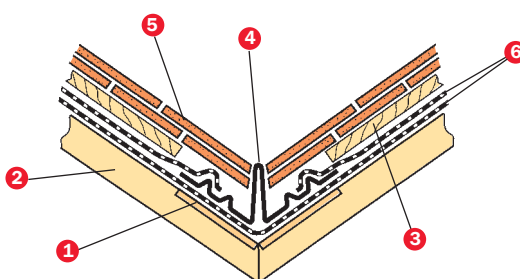
DVT/1 /2 DRY FIX VALLEY FOR HIGH PROFILE TILES

- 1 Tiles
- 2 Dry Fix Valley
- 3 Roofing Felt
- 4 Batten
- 5 Valley Boards
- 6 Rafters



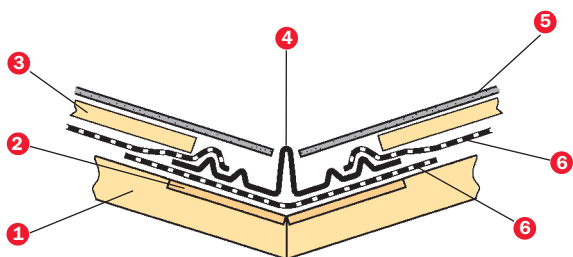
DVLP/1 /2 DRY FIX VALLEY FOR PLAIN / LOW PROFILE TILES

- 1 Valley Boards
- 2 Rafters
- 3 Batten
- 4 Dry Fix Valley
- 5 Plain Tiles
- 6 Roofing Felt



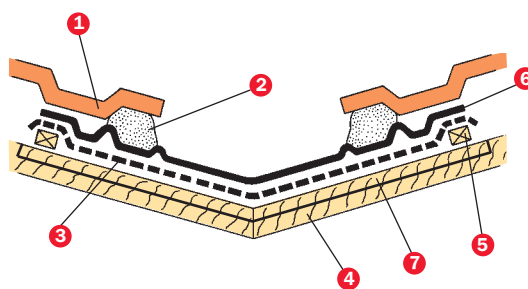
DSV/1 /2 DRY FIX VALLEY FOR SLATES

- 1 Rafters
- 2 Valley Boards
- 3 Batten
- 4 Dry Fix Valley
- 5 Slates
- 6 Roofing Felt



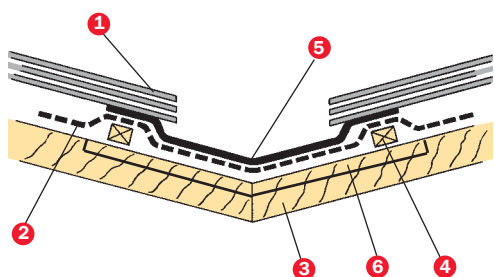
HDL361 TILE VALLEY TROUGH

- 1 Tiles
- 2 Mortar
- 3 Roofing Felt
- 4 Rafters
- 5 Batten
- 6 Valley Trough
- 7 Valley Board



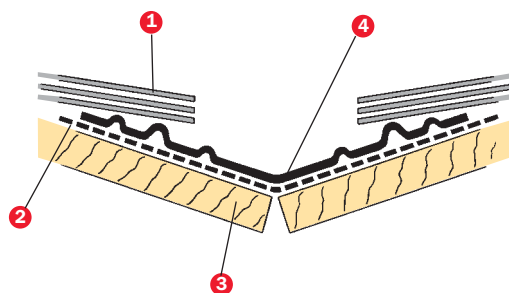
SVT SLATE VALLEY TROUGH

- 1 Slates
- 2 Roofing Felt
- 3 Rafters
- 4 Batten
- 5 Valley Trough
- 6 Valley Board



SSVT SCOTTISH SLATE VALLEY TROUGH

- 1 Slates
- 2 Roofing Felt
- 3 Sarking Board
- 4 Slate Valley Trough



PRODUCT VERIFICATION

N.F.R.C. Hambleside Danelaw are Associate Manufacturing Members of the National Federation of Roofing Contractors and also participate in the Co-Partnership Guarantee Scheme.

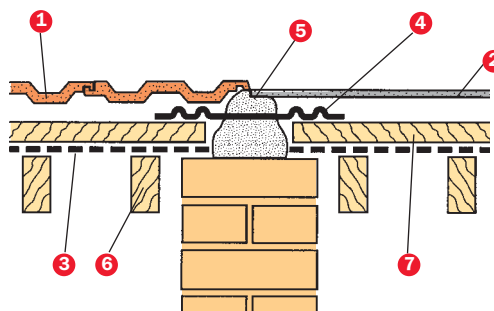
B.C.L. Birmingham City Laboratories (formerly Industrial Research Laboratories) certification available from third party tests carried out on GRP products, Tile Ventilator and Slate Ventilator ranges.

Rapra Technology Limited Independent tests carried out on the performance of GRP. Copies of the report are available on request from Hambleside Danelaw's Daventry office.

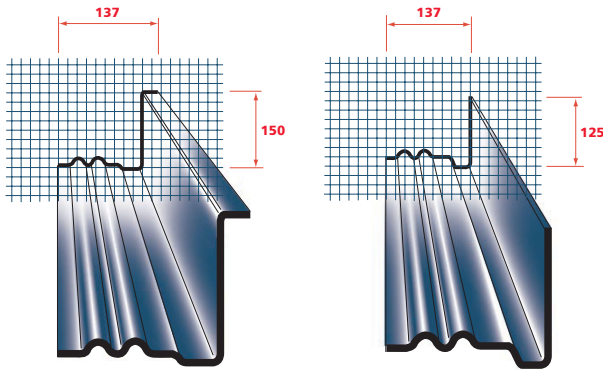
BBA The Company holds full BBA Certification for its Flashing products.

BG BONDING GUTTER

- 1 Tiles
- 2 Slates
- 3 Roofing Felt
- 4 Bonding Gutter
- 5 Mortar Barrier
- 6 Rafter
- 7 Batten



Continuous Soakers



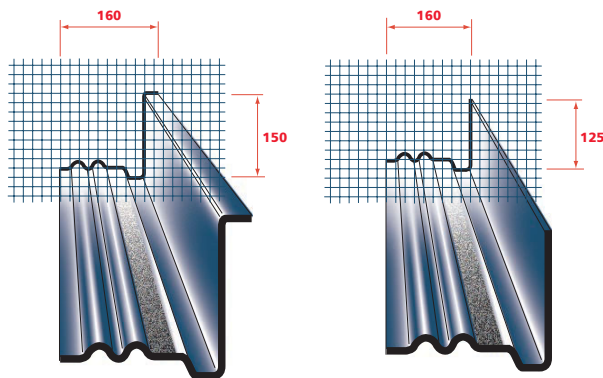
CSS CONTINUOUS SOAKER FOR SLATE

Available in Lipped and Unlipped versions for slate roofs, they can be fitted in approximately half the time it takes to install lead.

Supplied in packs of 10 units.

CSS Continuous Soaker for slate.

- Lipped**
H 150 × W 137 × L 3000
- Unlipped**
H 125 × W 137 × L 3000



CST CONTINUOUS SOAKER FOR TILES

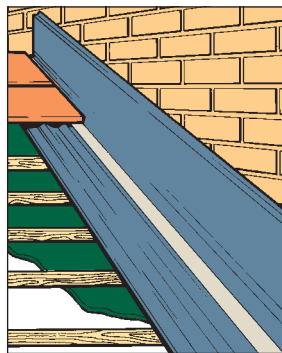
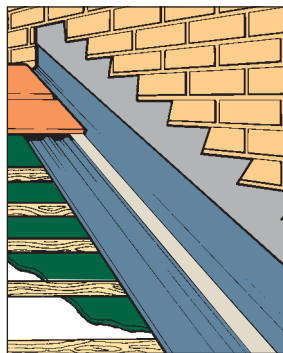
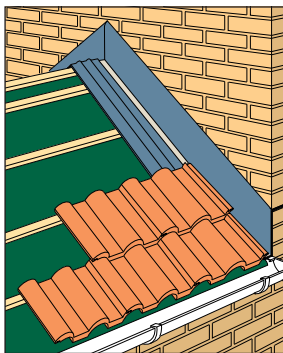
Available in Lipped and Unlipped versions for tile roofs, they can be fitted in approximately half the time it takes to install lead.

Supplied in packs of 10 units.

CST Continuous Soaker for tiles – with sand strip.

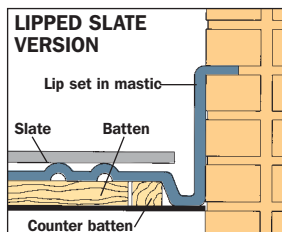
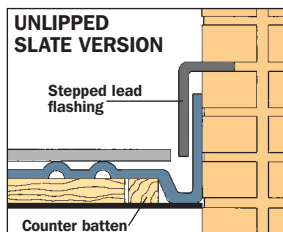
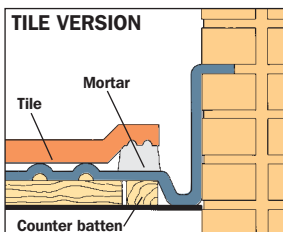
- Lipped**
H 150 × W 160 × L 3000
- Unlipped**
H 125 × W 160 × L 3000

INSTALLATION DETAILS

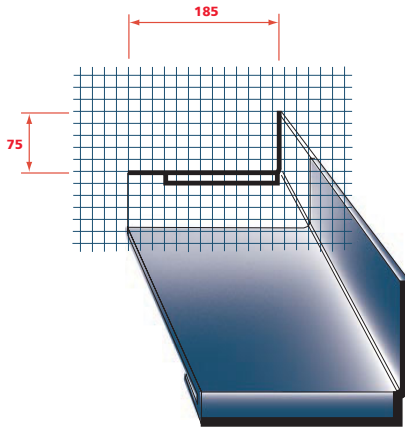


Conti-Soaker Features

- Use lead saddle at the ridge
- Fitted in approximately half the time it takes to install lead
- Versions available for tile or slate roofs
- Secret gutter and water bars and lip for watertight security
- Lightweight 3 metre lengths
- Use lead soaker at the foot
- Attractive, lead grey, matt finish
- Resists fungi and debris build-up
- Lipped version routs straight into wall
- Unlipped version concealed when fixed using traditional step lead flashing



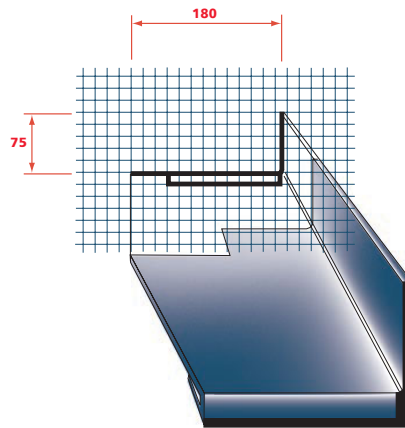
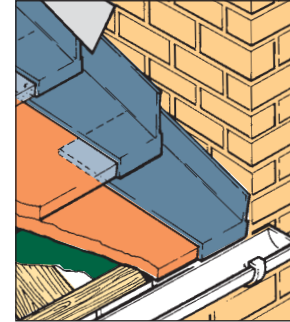
Dry Soakers



MDS

Supplied in packs of 50 units.

For interlocking flat concrete tiles – suitable for use with Marley Modern, Redland Stonewald and equivalent tile types
Left and right handed
H 75 × W 180 × L 430



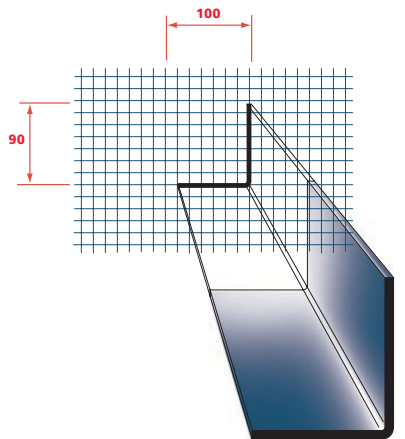
RRS

Supplied in packs of 50 units.

Suitable for use with Redland Richmond type tiles
Left hand/Right hand
H 75 × W 180 × L 430

Hambleside Danelaw Dry Soakers are quick and simple to install.

Made from lightweight high density polyethylene they are available for both tile and slate roofs in right and left handed versions. Their robust construction ensures they will not crack under stress or through temperature change. They are also resistant to UV light, acid rain and trade solvents.

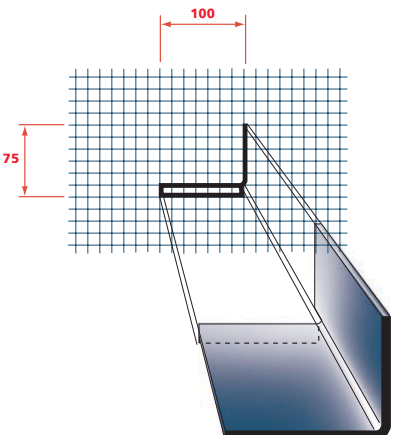


SS500 and SS600 – Slates

Supplied in packs of 50 units.

SS500
Slate soaker for 500 × 250mm slates
H 98 × W 85 × L 300

SS600
Slate soaker for 600 × 300mm slates
H 98 × W 85 × L 380

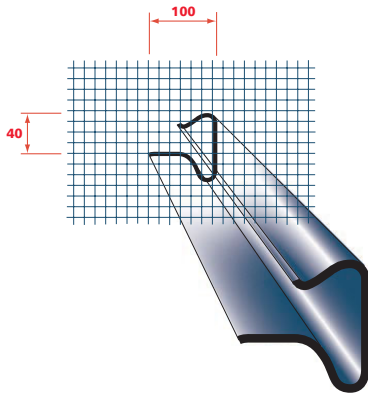


PCS – Tiles

Supplied in packs of 50 units.

PCS
For plain clay and concrete tiles
Left hand/Right hand
H 75 × W 100 × L 170

Dry Verges

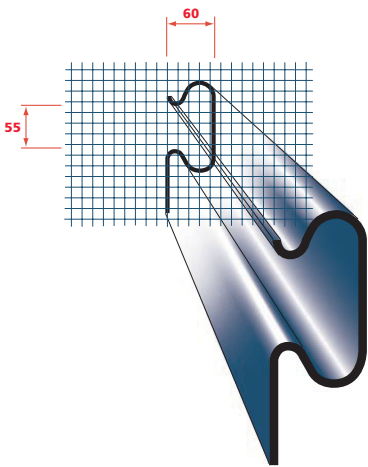
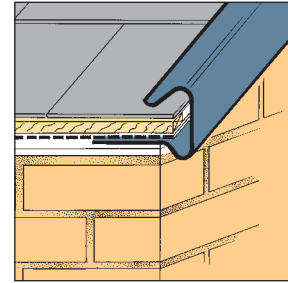


HDV6

Supplied in packs of 10 units.

HDV6
For slate roof gable ends –
batten fixing.

Gap W 40 × L 3000

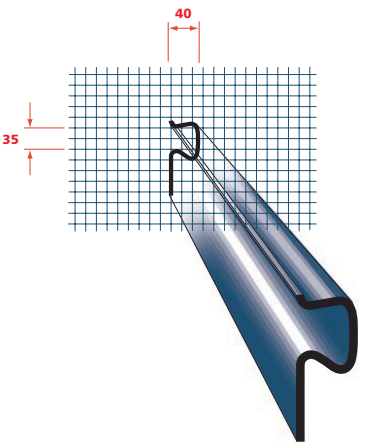
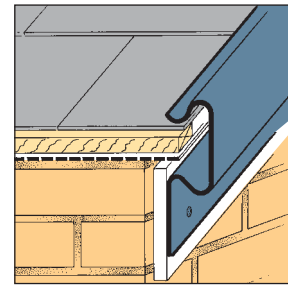


HDV8

Supplied in packs of 10 units.

HDV8
For slate and plain tiles – face
fixing.

Gap W 55 × L 3000

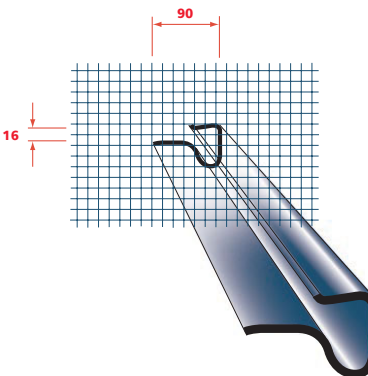
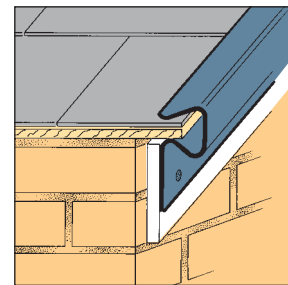


HDV9

Supplied in packs of 10 units.

HDV9
For slate roof – face fixing for
sark board detail.

Gap W 35 × L 3000



HDV7 – SCOTVERGE

Supplied in packs of 10 units.

HDV7
For slate roof – sark board or
over batten fixing.

Gap W 16 × L 3000

Scotverge has been developed for use with both natural and fibre slates giving the advantages of all weather fixing and permanent wind protection; a product which is simple to install without complicated interlocking methods.

