



CIVILS

LANDSCAPING

AQUA

SPORT

RECYFIX[®]NC **NEW**

Extremely stable and lightweight - channels made of PE-PP for civil engineering

Category
E 600



My benefit as an Civil Engineer with **RECYFIX®NC**:

„I've been waiting for a channel made of PE-PP for civil engineering. Stable, CE-compliant and ecological material.



meets all required standards



high stability



My benefit:
security

CE conform

My benefit as an Building Contractor with **RECYFIX®NC**:

„The channel is delivered on site assembled with inlaying grating and is very lightweight. Hence the installation is quick and cost-effective.“



simple handling on site



prefabricated ready to install



My benefit:
cost saving



One channel in NS 100
with grating = **11 kg**



RECYFIX[®] NC

Extremely stable and lightweight - channels made of PE-PP for civil engineering.

1 Requirement

Modern drainage systems must

- permanently withstand to high loads and large forces.
- be easy to install.
- be resistant to environmental influences (frost, heat, humidity).
- comply EN 1433.

3 Solutions

RECYFIX NC channels:

- channels made of PE-PP for civil engineering
- load capacity up to E 600 according to EN 1433
- maximum security through 8-fold bolt fixing
- very lightweight, quick and cost saving installation.

2 Application areas

- traffic areas for industry
- loading and unloading zones
- car parks
- pedestrian areas
- public areas
- petrol stations





Loading and unloading zones



Industrial yards



Access roads



Car park

The benefit of **RECYFIX**[®]NC channels



High stability

- stable, durable ductile iron grating
- high quality ductile iron
- 8-fold bolted

= security



Standards and approvals

- certified to EN1433
- CE-marking

= security

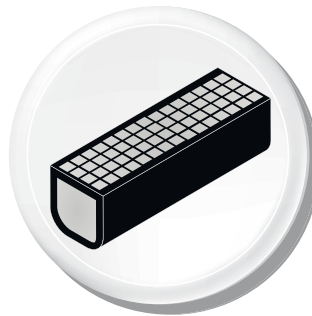


Low weight ensures easy handling on site

- much easier handling on site compared to channels made of polymer concrete
- very easy handling and installation
- maximum stability with minimum weight

= cost saving

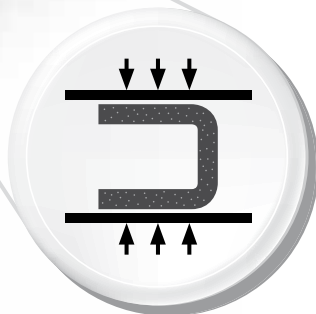




prefabricated ready to install

- channel and grating = one part
- no single parts
- easy handling in stock and on site
- cost-effective transportation

= more earnings



High-grade material

- RECYFIX - stable and almost unbreakable
- flexible and particularly resistant material
- withstands high traffic loads and temperature differences in daily use

= security

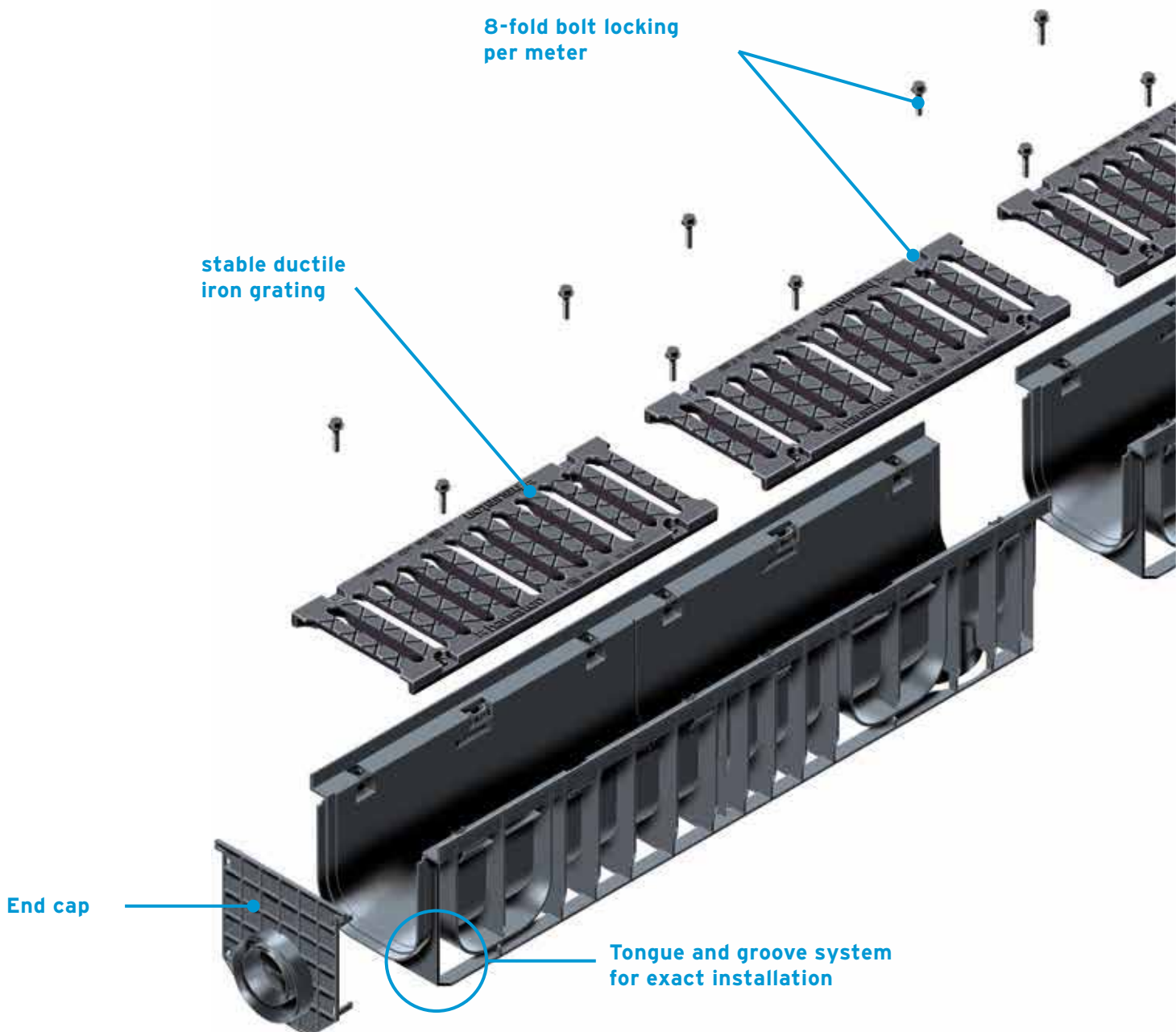
RECYFIX® NC

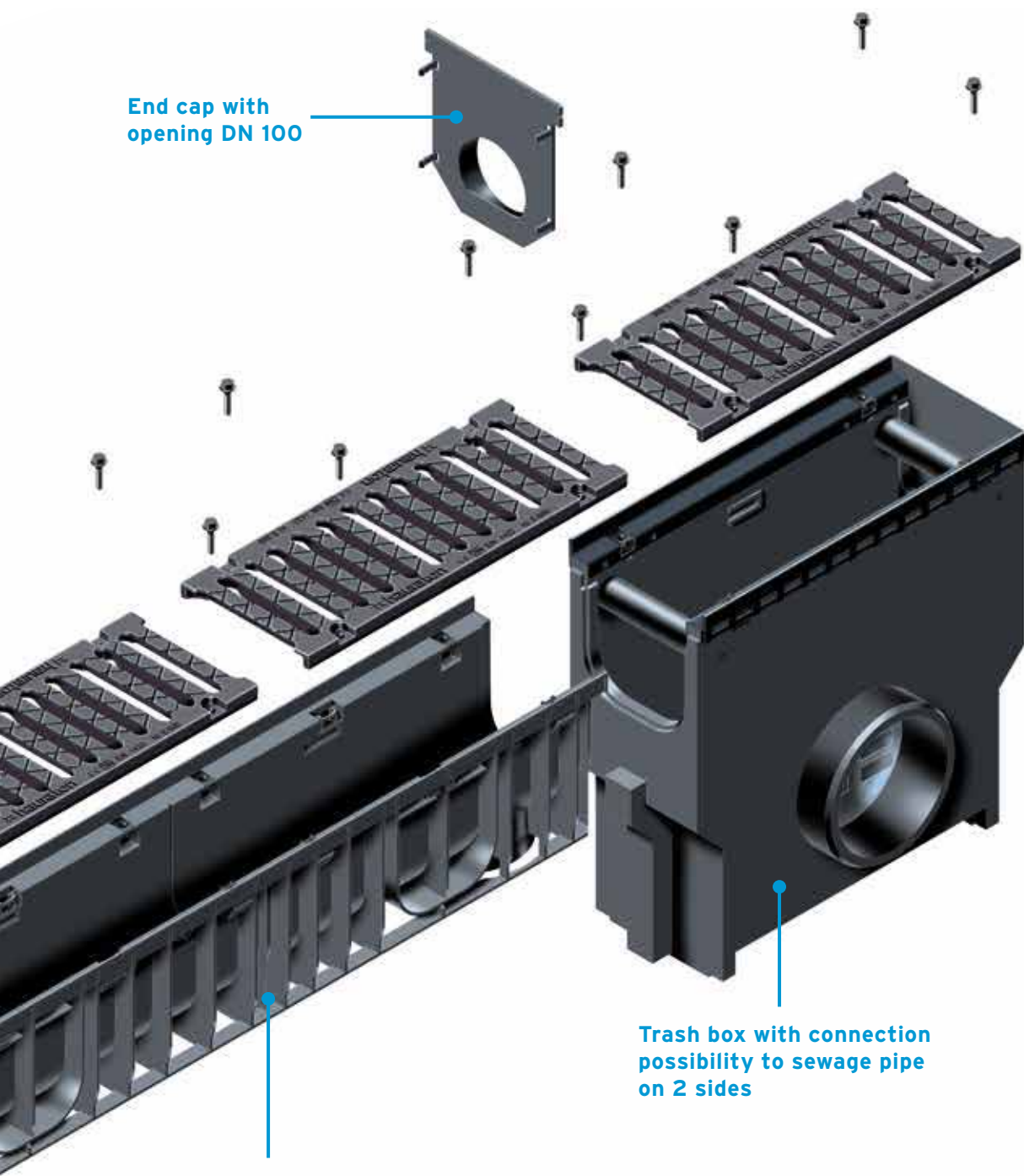
Extremely stable and lightweight - channels made of PE-PP for civil engineering.

RECYFIX NC channels meet the requirements of DIN EN 1433 and are suitable for the following load categories:



Category E 600,
Load class 600 kN





End cap with opening DN 100

Trash box with connection possibility to sewage pipe on 2 sides

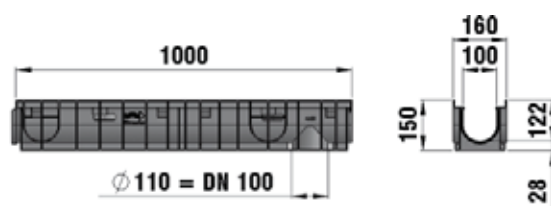
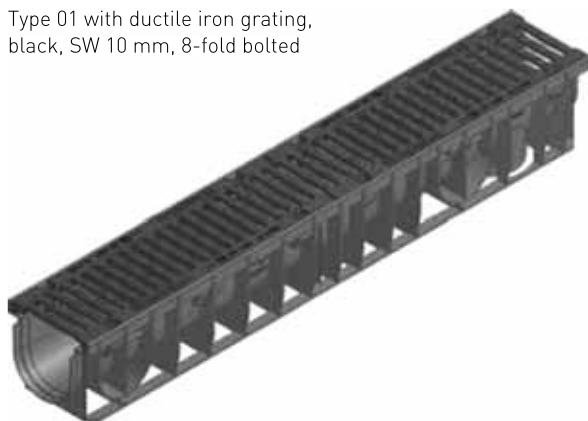
channel is preassembled ready to install on site or to handle in stock

RECYFIX®NC

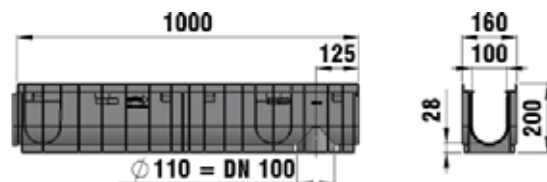
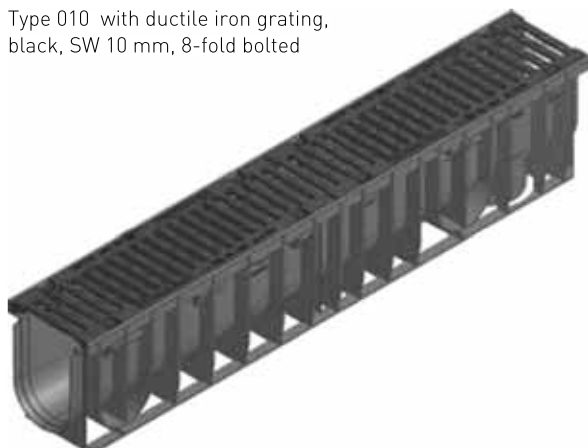
Extremely stable and lightweight - channels made of PE-PP for civil engineering.

RECYFIX®NC 100, Combi article, class E 600 **NEW**

Type 01 with ductile iron grating, black, SW 10 mm, 8-fold bolted



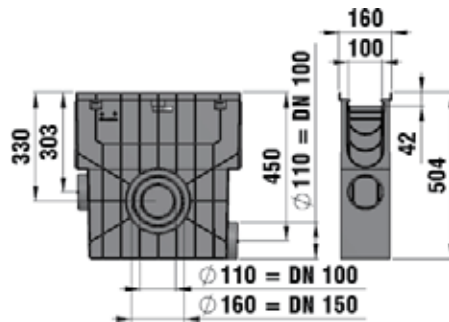
Type 010 with ductile iron grating, black, SW 10 mm, 8-fold bolted



	Lenght mm	Width mm	Height mm	Drainage cross-sect. cm ²	Intake cross-sect. cm ² /m	Weight kg	Article No.
Type 01 with ductile iron grating, black, SW 10 mm, 8-fold bolted	1000	160	150	92	427	10,7	48770
Type 0105 with ductile iron grating, black, SW 10 mm, 4-fold bolted	500	160	150	92	427	5,4	48748
Type 010 with ductile iron grating, black, SW 10 mm, 8-fold bolted	1000	160	200	142	427	11,3	48772
Type 01005 with ductile iron grating, black, SW 10 mm, 4-fold bolted	500	160	200	142	427	5,6	48747

RECYFIX®NC 100, Accessories

Trash box with plastic bucket, with ductile iron grating, black, SW 10 mm, class E 600, 4-fold bolted



End cap closed for type 010



End cap with opening DN 100 for type 010



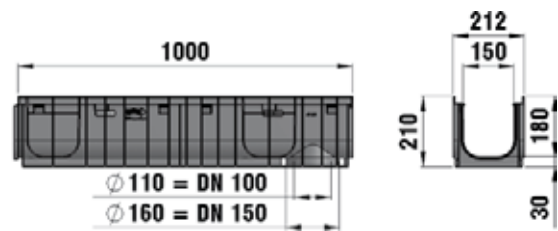
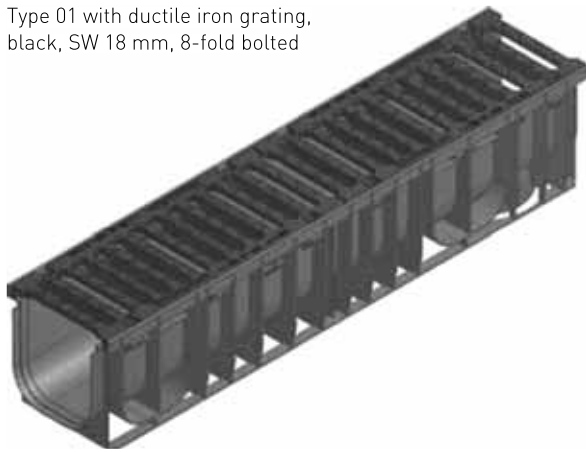
	Length mm	Width mm	Height mm	Drainage cross-sect. cm ²	Intake cross-sect. cm ² /m	Weight kg	Article No.
Trash box with plastic bucket, with ductile iron grating, black, SW 10 mm, class E 600, 4-fold bolted	500	160	504	-	427	8,6	48753
End cap closed for type 01	124	160	4	-	-	0,04	48681
End cap with opening DN 100 for type 01	203	160	4	-	-	0,09	48691
End cap closed for type 010	176	160	4	-	-	0,05	47082
End cap with opening DN 100 for type 010	200	160	4	-	-	0,08	47093

RECYFIX®NC

Extremely stable and lightweight - channels made of PE-PP for civil engineering.

RECYFIX®NC 150, Combi article, class E 600 **NEW**

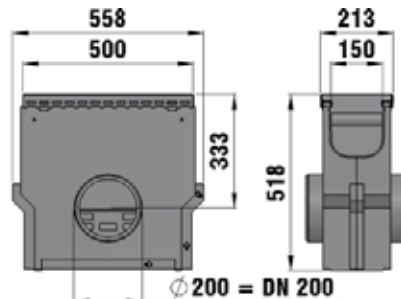
Type 01 with ductile iron grating, black, SW 18 mm, 8-fold bolted



	Lenght mm	Width mm	Height mm	Drainage cross-sect. cm ²	Intake cross-sect. cm ² /m	Weight kg	Article No.
Type 01 with ductile iron grating, black, SW 18 mm, 8-fold bolted	1000	212	210	230	702	15,4	48870
Type 0105 with ductile iron grating, black, SW 18 mm, 4-fold bolted	500	212	210	230	702	7,7	48848

RECYFIX®NC 150, Accessories

Trash box with plastic bucket, with ductile iron grating, black, SW 18 mm, class E 600, 4-fold bolted



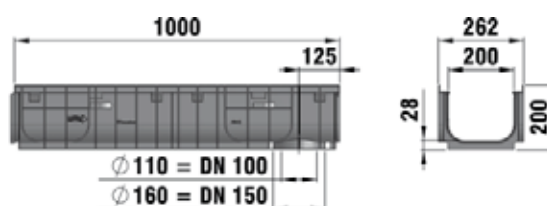
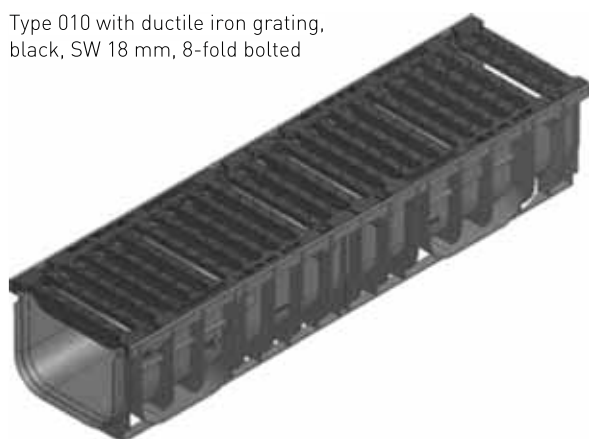
End cap combined made of PE-PP closed / with outlet DN 70/100, for type 010



	Lenght mm	Width mm	Height mm	Drainage cross-sect. cm ²	Intake cross-sect. cm ² /m	Weight kg	Article No.
Trash box with plastic bucket, with ductile iron grating, black, SW 18 mm, class E 600, 4-fold bolted	500	212	518	-	702	21,0	48853
End cap combined made of PE-PP closed / with outlet DN 70/100, for type 01	220	220	4	-	-	0,15	40591

RECYFIX®NC 200, Combi article, class E 600 **NEW**

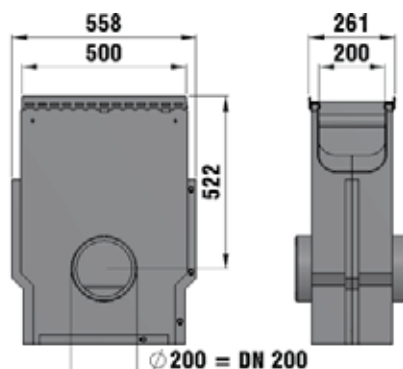
Type 010 with ductile iron grating, black, SW 18 mm, 8-fold bolted



	Lenght mm	Width mm	Height mm	Drainage cross-sect. cm ²	Intake cross-sect. cm ² /m	Weight kg	Article No.
Type 010 with ductile iron grating, black, SW 18 mm, 8-fold bolted	1000	262	200	294	936	20,9	49572
Type 01005 with ductile iron grating, black, SW 18 mm, 4-fold bolted	500	262	200	294	936	10,5	49547

RECYFIX®NC 200, Accessories

Trash box with plastic bucket, with ductile iron grating, black, SW 18 mm, class E 600, 4-fold bolted



End cap combined made of PE-PP closed / with outlet DN 70/100, for type 010



	Lenght mm	Width mm	Height mm	Drainage cross-sect. cm ²	Intake cross-sect. cm ² /m	Weight kg	Article No.
Trash box with plastic bucket, with ductile iron grating, black, SW 18 mm, class E 600, 4-fold bolted	500	262	752	-	936	32,3	49553
End cap combined made of PE-PP closed / with outlet DN 70/100, for type 010	260	220	4	-	-	0,21	41387

Tender proposals

Channels with grating

1. ___ lin.m

RECYFIX NC Channel, Class E 600

Nominal width ___ mm, type ___ channel made of recycled PE-PP with integrated angle housing, in acc. with EN 1433, CE-compliant, with vertical connection possibility to sewage pipe, with ductile iron grating SW ___ mm, with horizontal shearing protection and 8-fold bolt locking per metre, black, load category E 600,

L/W/H _____ mm, art.-no. _____.

All to supplied and laid in accordance with the manufacturer's installation instructions. Quality in acc. with DIN EN ISO 9001:2008 Manufactured by: HAURATON GmbH & Co. KG

P. O. Box 16 61
D-76437 Rastatt, Germany
Tel. +49 7222 9 58 -0
Fax+49 7222 9 58 -220
export@hauraton.com

2. ___ no.

Accessories

RECYFIX NC trash box

Nominal width ___ mm, trash box made of recycled PE-PP, with integrated angle housing. in acc. with EN 1433, CE-compliant, with connection possibility to sewage pipe, with removable plastic mud bucket, suitable for connection of system channels type RECYFIX NC, Length 500 mm, Height ___ mm, with grating _____locked, load category _____, art.-no. _____

3. ___ no.

RECYFIX NC

Combi end cap NW _____, art.-no. _____

4. ___ no.

RECYFIX NC

End cap made of PE-PP closed for NW _____, art.-no. _____

5. ___ no.

Sealing compound for RECYFIX Channels

Sikaflex TS Fast, 600 ml, cartridge, black, art.-no. 6890

6. ___ no.

Bag pistol

for Sikaflex TS Fast, art.-no. 6891

Installation example concrete

Class D 400 - E 600

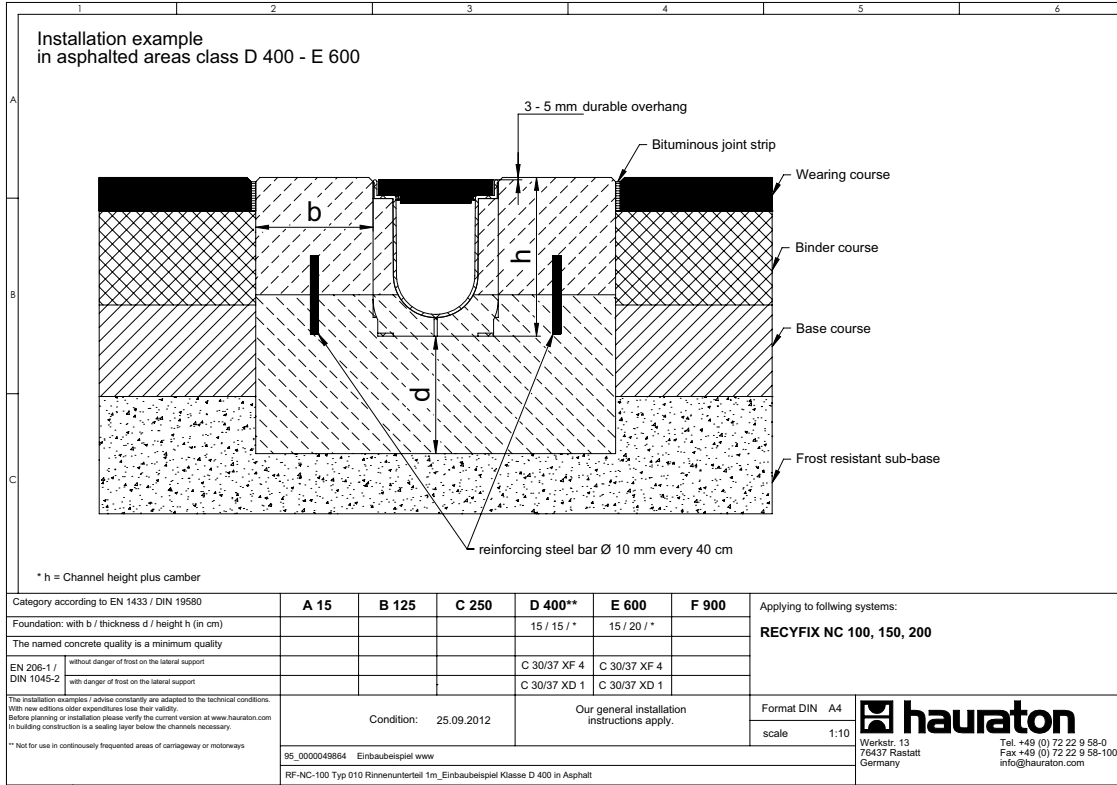
Installation example concrete class D 400 - E 600

* h = Channel height plus camber

Category according to EN 1433 / DIN 19580	A 15	B 125	C 250	D 400**	E 600	F 900	Applying to following systems: RECYFIX NC 100, 150, 200
Foundation: with b / thickness d / height h (in cm)				15 / 15 / *	15 / 20 / *		
The named concrete quality is a minimum quality							
EN 206-1 / DIN 1045-2				C 30/37 XF 4 C 30/37 XD 1	C 30/37 XF 4 C 30/37 XD 1		
without danger of frost on the lateral support							
with danger of frost on the lateral support							
Condition: 20.09.2012				Our general installation instructions apply.		Format DIN A4	<p>Werksr. 13 76437 Rastatt Germany</p> <p>Tel. +49 (0) 72 22 9 58-0 Fax +49 (0) 72 22 9 58-100 info@hauraton.com</p>
95 000049541 Einbaubeispiel www						scale 1:10	
RF-NC-100 Typ 010 Rinnenunterteil 1m_Einbaubeispiel Klasse D 400 in Beton							

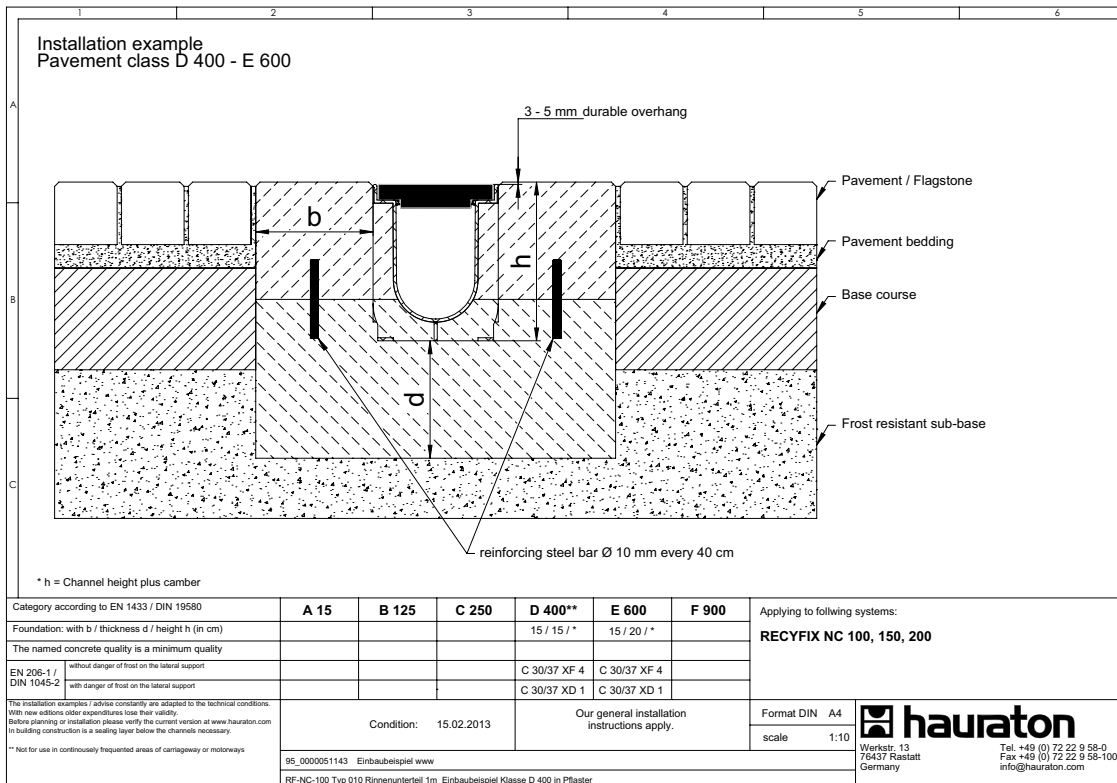
Installation example asphalt

Class D 400 - E 600



Installation example pavement

Class D 400 - E 600



HAURATON LIMITED
UNIT 4, FRENCHS AVENUE
DUNSTABLE, BEDFORDSHIRE
LU6 1BH
Tel. 01582 501380
Fax. 01582 501399
technical@hauraton.co.uk
www.hauraton.co.uk

HAURATON partner

We reserve the right
to do technical changes
for improvement.

03/2013 | Printed in Germany
All drawings, measurements and
weights are noncommittal!

UKEN-013-130220

