



SUSTAINABLE
BUILDINGS SYSTEMS

HAVEN Cycle Rack System

Next Generation Sheffield Stands

HAVEN - Cycle Rack System

Product Details and Specification

Overview:

HAVEN-CRS an innovative modular cycle rack system that is supplied with all you need to quickly and easily plan and install smart high quality 'hoop type' cycle parking. Space efficient, strong and compatible with multiple wearing surface types including grass.

Product Description:

The stainless steel hoop units, configurable in any combination from 2 hoops upwards using the in-line connector and spacer, securely fixed down to the systems pre-cast foundation unit, all parts necessary are supplied in kit, simple easy flexible and clean.

Features:

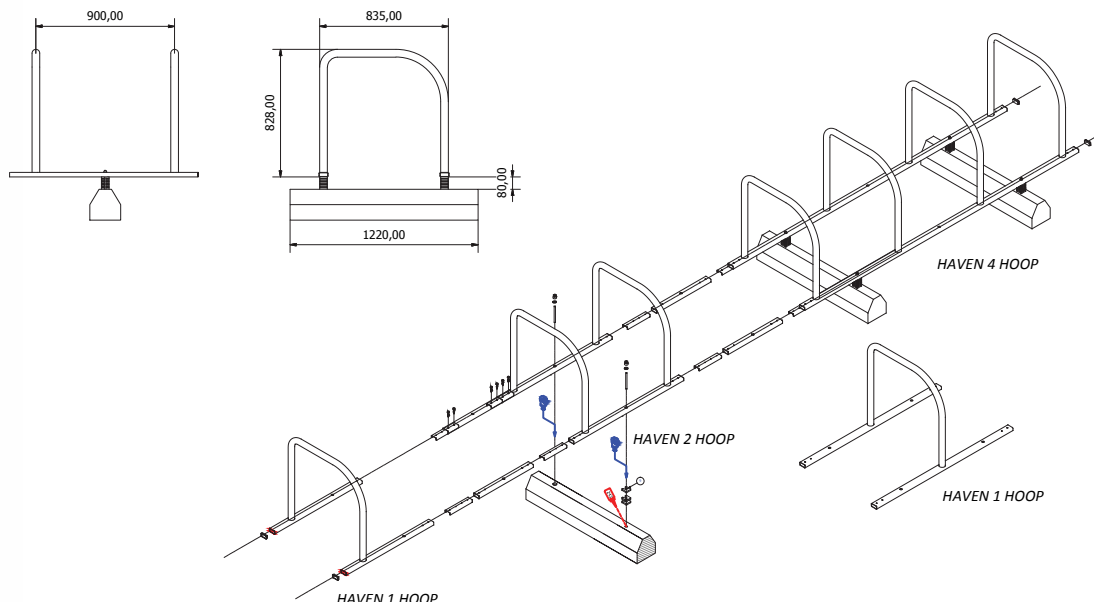
- all in one kit of modular system based components
- integrates with multiple wearing surface types**
- Stainless Steel Satin Finish
- pre-cast Foundations with combi lift and fix points
- ergonomic hoop, optimises secure cycle locking
- stainless ground rail, links cycle parking visually

Benefits:

- Maximises bikes parked in any given space
- Significantly improved installation times
- 65% reduction in foundation material over traditional methods
- Simpler reinstatement of wearing surface no awkward cutting required
- Flush stainless steel ground rail, stops detritus collection and removes trip hazard
- Component and installation guides* for ease of specification and installation
- 4r compliant (Relocate Renovate Reuse Relocate)
- Shallow foundation embedment reduces disruption to in-ground services
- Increased structural strength and security

Options:

- Customised Hoop Shapes (POA)
- Stainless Steel 316 Grade
- HAVEN-CRS Bollard



HAVEN-CRS system literature;

HAVEN-CRS-component, assembly guide_001* & Haven-CRS-wearing surfaceguides_001,002,003 & 004**



Materials & Finishing:

Haven Hoops, Connectors: Stainless Steel 304 Grade
Finish: Satin Polish

Product Dimensions:

Haven Hoop to Hoop Spacing:	900mm c/c
Haven Hoop Height:	805mm OA
Haven Hoop Width:	845mm OA
Haven Hoop Tube:	050mm OD

Warranty:

48 Month Limited Warranty

Environmental Info:

4r compliant (Relocate Renovate Reuse Recycle)
Manufactured and assembled in the UK.

Installation:

Installation may be undertaken by a competent, suitably qualified Installer

Foundation Efficiency Example; based on a 4 hoop (8 Bike) Installation.

HAVEN-CRS against 'Sheffield' hoop type cycle parking

- 4 hoop 'Sheffield' - 0.2160cu.m concrete use
 - 4 hoop 'HAVEN-CRS' - 0.0758cu.m of concrete use
- HAVEN-CRS provides a 65% reduction in like for like foundation material use over traditional methods while at the same time increases structural stability of individual hoops.

*-Example 'Sheffield' type comparative installation data taken from; tfl workplace cycle parking guide October 2006_page 18 Diagram 1: Basic Sheffield stands.

Address:
The Big Barn
14 Greengate Road
Wedhampton
Devizes
Wiltshire
SN10 3QB

Contact:
01380 840 819
team@hbdesigns.co.uk
www.hbdesigns.co.uk