



THE HORIZONTAL 3 BIKE LOCKER

Protecting Bikes, Enhancing Spaces

The Horizontal 3 Bike Locker is a secure, space-saving solution for storing up to three bicycles. Crafted from galvanised and powder-coated 2.5mm steel, this weather-resistant locker is ideal for home, garden and small office, or public building applications, providing secure bike storage while freeing up valuable internal space. Designed for architects, developers, and contractors, the locker is made in Britain and offers a reliable, high-quality solution for residential and commercial cycle storage projects. This locker provides a future-proof solution for modern cycling needs. Secure, weather-protected storage for up to three bikes encourages cycling while keeping spaces organised and safe. Its robust design, Made in Britain quality, and compatibility with commercial projects and residential schemes make it the go-to option to meet cycle storage demands.

- › Stores up to three bicycles per unit, with additional space for accessories
- › 2.5mm galvanised and powder-coated steel construction for strength and durability
- › Three-point locking system with pick and drill resistance for enhanced security
- › Fully enclosed and weather-protected, suitable for year-round outdoor use
- › Customisable finish available in a full RAL colour range
- › Made in Britain, supporting sustainable and responsible manufacturing
- › 10-Year manufacturer's warranty for long-term durability and peace of mind





THE HORIZONTAL 3 BIKE LOCKER

The Horizontal 3 Bike Locker is the go-to space-saving bike locker ideal for any house, garden, or commercial project. The locker offers storage for up to three bikes, freeing up valuable internal storage space while keeping bikes secure.

Customisation that Works for You

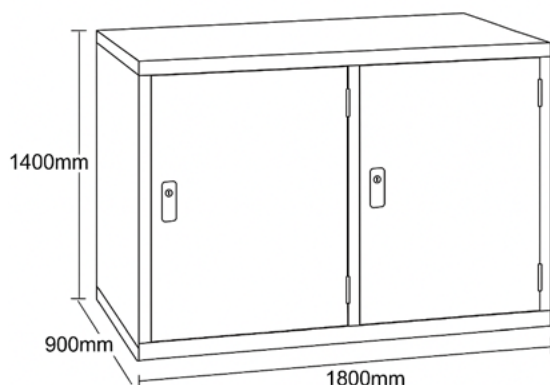
Every site is different which is why this locker is built to adapt:

- › W 1800mm x H 1400mm x D 900mm
Standard dimensions
- › Up to 3 bicycles per unit capacity
- › Galvanised and powder-coated 2.5mm sheet steel material
- › High-security pick & drill-resistant 3-point locking system, L&F mechanism with safety release
- › Reinforced handle enclosure handles
- › Hard-wearing scratch and knock-resistant powder coating, full RAL colour range finish



Bespoke centres to fit your exact specifications

DIMENSIONS



Standard Minimum Height

1400mm

Standard Minimum Width

1800mm

Standard Minimum Depth

900mm

LOCKING OPTIONS



Pad Cam Lock



Three Point Lock

Lead Times

4 — 6 Weeks

**For quicker delivery contact us*

Need help with installation?

We offer a full installation service

hello@thebikestoragecompany.co.uk

DOWNLOADS LIBRARY

For more information on our product specifications, colours and finishes view our product downloads library online.

ACHIEVE BREEAM
ACCREDITATION
BRITISH MADE
PRODUCTS



0800 246 1723

www.thebikestoragecompany.co.uk

hello@thebikestoragecompany.co.uk

107-108 Harbour Yard, London, SW10 0XD