



Iria

Family of high efficiency
LED in-ground luminaires

Iria 900

IP67 | IK10 | CLASS I

Iria Range:

- Range of linear LED in-ground luminaires
- Featuring latest generation Cree XP-G2 high power LEDs
- Flexible in specification with range of optics and colour temperatures
- Integral electronic LED drivers
- Highly corrosion resistant aluminium body

Iria 900

Light source:

21 x Cree XP-G2 LEDs

Optical control:

10° Narrow beam

30° Medium beam

45° Wide beam

Asymmetric / wall washer



Optical adjustment:

Fixed

Light output:

Colour temp.	CRI	Optic	Lumen output
3000k	80Ra	10°	3,025
		30°	2,875
		45°	2,730
		Asym.	2,875
4000k	70Ra	10°	3,065
		30°	2,915
		45°	2,765
		Asym.	2,915
6000k	70Ra	10°	3,150
		30°	2,995
		45°	2,845
		Asym.	2,995

21 x LED 	31.5W	upto 100Lm/W
--------------	-------	-----------------

Total circuit watts:

31.5W

Luminaire efficacy:

upto 100Lm/W

L70 lifetime prediction:

In excess of 50,000 hours

Mounting:

Supplied complete with stainless steel in-ground housing

Switching and control:

Switch: On/off

Colours:

Grade 304 Stainless Steel bezel

Materials:

Bezel: Grade 304 Stainless Steel

Body: High pressure die-cast aluminium

Seals: Silicone rubber

Glazing: Flattoughened glass

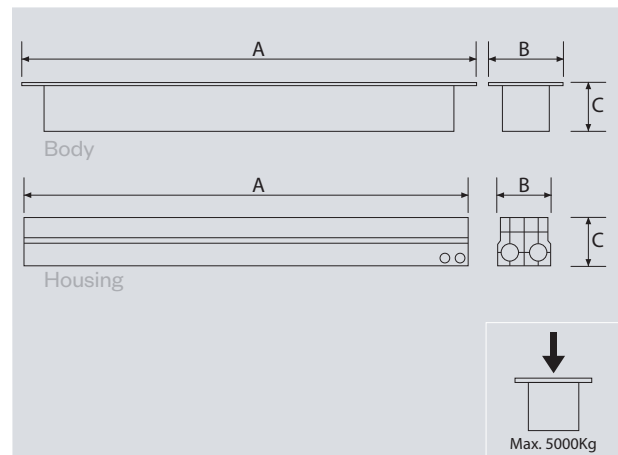
Installation and maintenance:

Supplied with 1m flexible cable

2x PG13.5 cable glands for wiring in/out

Allowable static load:

Max. 5000kg



	Dimensions (mm)			Weight (kg)
	A	B	C	
Iria 900	985	114	90	10
Iria 900 housing	960	105	112	

DW Windsor

Pindar Road, Hoddesdon, Hertfordshire, EN11 ODX

T: +44(0)1992 474600 | E: info@dw Windsor.com

dw Windsor.com



Iria 600

IP67 | IK10 | CLASS I

Iria Range:

- Range of linear LED in-ground luminaires
- Featuring latest generation Cree XP-G2 high power LEDs
- Flexible in specification with range of optics and colour temperatures
- Integral electronic LED drivers
- Highly corrosion resistant aluminium body

Iria 600

Light source:

13 x Cree XP-G2 LEDs

Optical control:

- 10° Narrow beam
- 30° Medium beam
- 45° Wide beam
- Asymmetric / wall washer



Optical adjustment:

Fixed

Light output:

Colour temp.	CRI	Optic	Lumen output
3000k	80Ra	10°	1,870
		30°	1,780
		45°	1,690
		Asym.	1,780
4000k	70Ra	10°	1,900
		30°	1,805
		45°	1,715
		Asym.	1,805
6000k	70Ra	10°	1,950
		30°	1,855
		45°	1,760
		Asym.	1,855

13 x LED 	19.5W	upto 100Lm/W
--------------	-------	--------------

Total circuit watts:

19.5W

Luminaire efficacy:

upto 100Lm/W

L70 lifetime prediction:

In excess of 50,000 hours

Mounting:

Supplied complete with stainless steel in-ground housing

Switching and control:

Switch: On/off

Colours:

Grade 304 Stainless Steel bezel

Materials:

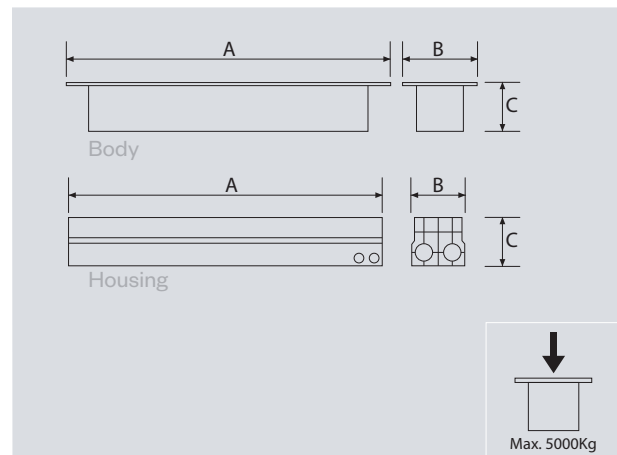
Bezel:	Grade 304 Stainless Steel
Body:	High pressure die-cast aluminium
Seals:	Silicone rubber
Glazing:	Flattoughened glass

Installation and maintenance:

- Supplied with 1m flexible cable
- 2x PG13.5 cable glands for wiring in/out

Allowable static load:

Max. 5000kg



	Dimensions (mm)			Weight (kg)
	A	B	C	
Iria 600	685	114	90	7
Iria 600 housing	660	105	112	

DW Windsor

Pindar Road, Hoddesdon, Hertfordshire, EN11 0DX
 T: +44(0)1992 474600 | E: info@dw Windsor.com
 dw Windsor.com



Iria Specification

Product code configurator

example: **IRL 60 N CW SS**

Product range	
Iria	IRL
Version	
685mm / 13 LED	60
985mm / 21 LED	90
Optical distribution	
10° Narrow Beam	N
30° Medium Beam	M
45° Wide Beam	W
Asymmetric Wall Washer	A
Colour temperature	
3000°k Warm White	WW
4000°k Neutral White	NW
6000°k Cool White	CW
Finish	
Stainless Steel	SS

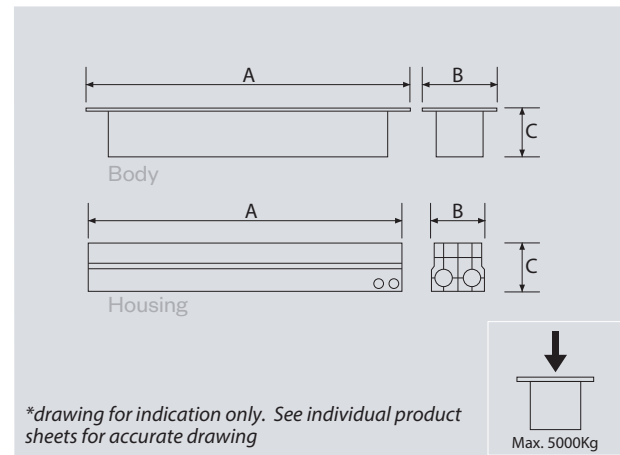
Light source

	600	900
LED type	Cree XP-G2	
Number of LEDs	13	21
Power	19.5W	31.5W
Optical adjustment	Fixed	

Output:

Colour temp.	CRI	Optic	Lumen output	
			600	900
3000k	80Ra	10°	1,870	3,025
		30°	1,780	2,875
		45°	1,690	2,730
		Asy.	1,780	2,875
4000k	70Ra	10°	1,900	3,065
		30°	1,805	2,915
		45°	1,715	2,765
		Asy.	1,805	2,915
6000k	70Ra	10°	1,950	3,150
		30°	1,855	2,995
		45°	1,760	2,845
		Asy.	1,855	2,995

Image and dimensions



	Dimensions (mm)			Weight (kg)
	A	B	C	
Iria 600	685	114	90	7
Iria 600 housing	660	105	112	
Iria 900	985	114	90	10
Iria 900 housing	960	105	112	

DW Windsor

Pindar Road, Hoddesdon, Hertfordshire, EN11 ODX
 T: +44(0)1992 474600 | E: info@dw Windsor.com
 dw Windsor.com

