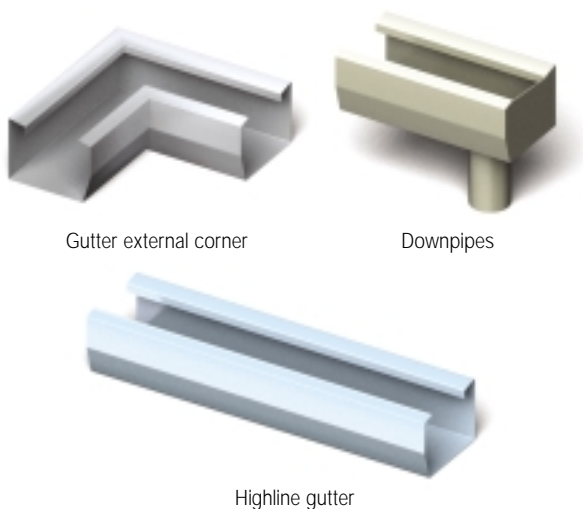


Kingspan Ancillaries

Architectural Feature Components

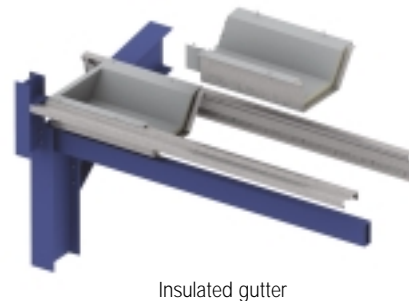
Highline Gutters

- Available in a range of materials and colours to match or contrast the existing building.
- Matching accessories available for the system including downpipes, support brackets and corners.



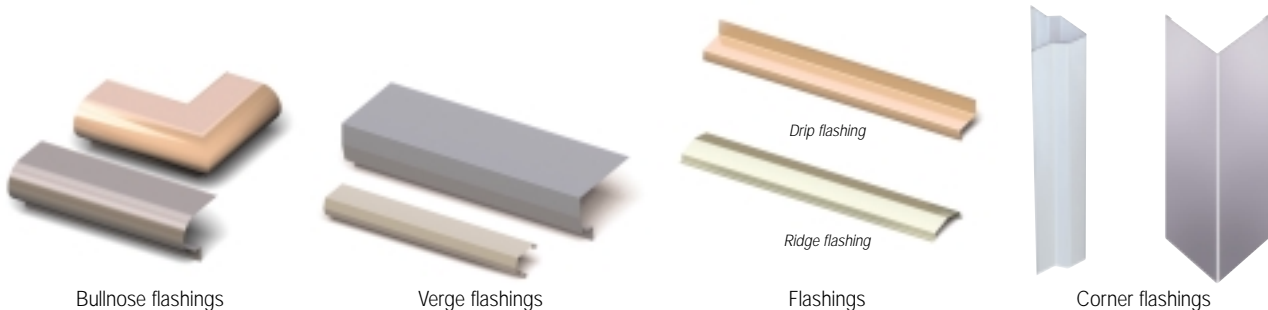
Insulated Gutters

- Insulated membrane lined boundary wall and valley gutters offer increased thermal performance aiding a better energy performance rating. The membrane lining ensures full weathertightness.
- Increased design options through the use of boundary wall or valley applications.
- Available in lengths of up to 6 metres.
- Range of corner T sections and outlets.



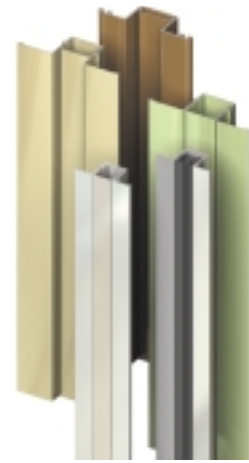
General Flashings

- A wide range of standard and non standard designs specific to each job.
- Availability of stocked colours and finishes allow **next day** delivery on standard items.
- Various girths available, and lengths up to 6m.



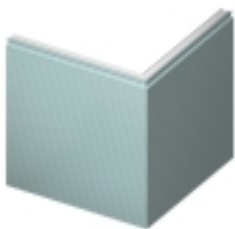
Tophats

- Ensures the joints between panels remain weathertight and efficient.
- Add to the aesthetic appeal of the building.
- Kingspan's range of pressed steel or extruded aluminium options gives architects design flexibility.
- Wide selection of tophats available.

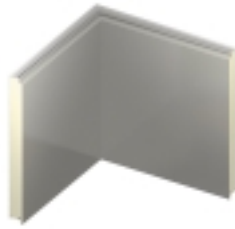


Factory Formed Corners & Curves

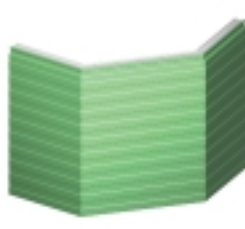
- Ensures full insulation continuity and guaranteed thermal performance.
- Horizontal, vertical, internal and external corners available.
- Multiple cranks and curved panels also available, giving extra design possibilities.



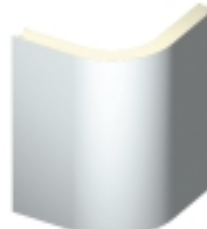
External Corner



Internal Corner



Chamfered Corner



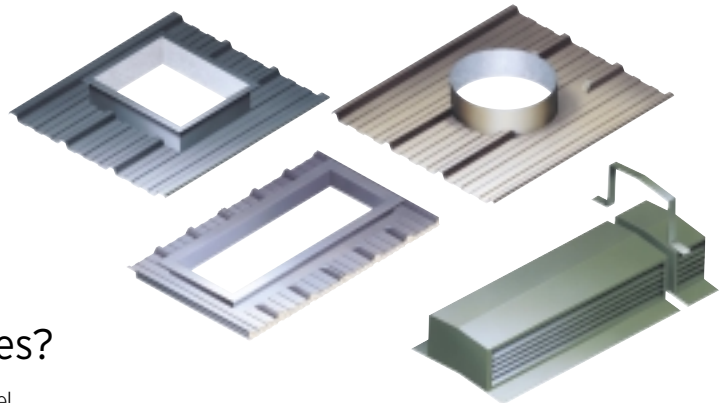
Vertical Corner



Horizontal Curve

Specialised Fabrications

- Aperture Units and Ventilators.
- Louvres and Fabricated Doors.
- Rainwater Components.



Why choose Kingspan Ancillaries?

- Guaranteed on time delivery with or before arrival of panel.
- **Next day** delivery available on many items.
- Available in a full range of colour coatings including Kingspan XL200™ and Kingspan Spectrum™.
- Rapid turnaround on quotes.
- TOTAL Guarantee package.
- Technical support through **envirocare** Technical Services.

Contact Details

Samples and literature:

Tel: +44 (0) 1352 717251

email: info@kingspanpanels.com

envirocare Technical Services:

Tel: +44 (0) 800 587 0090

email: envirocare@kingspanpanels.com

