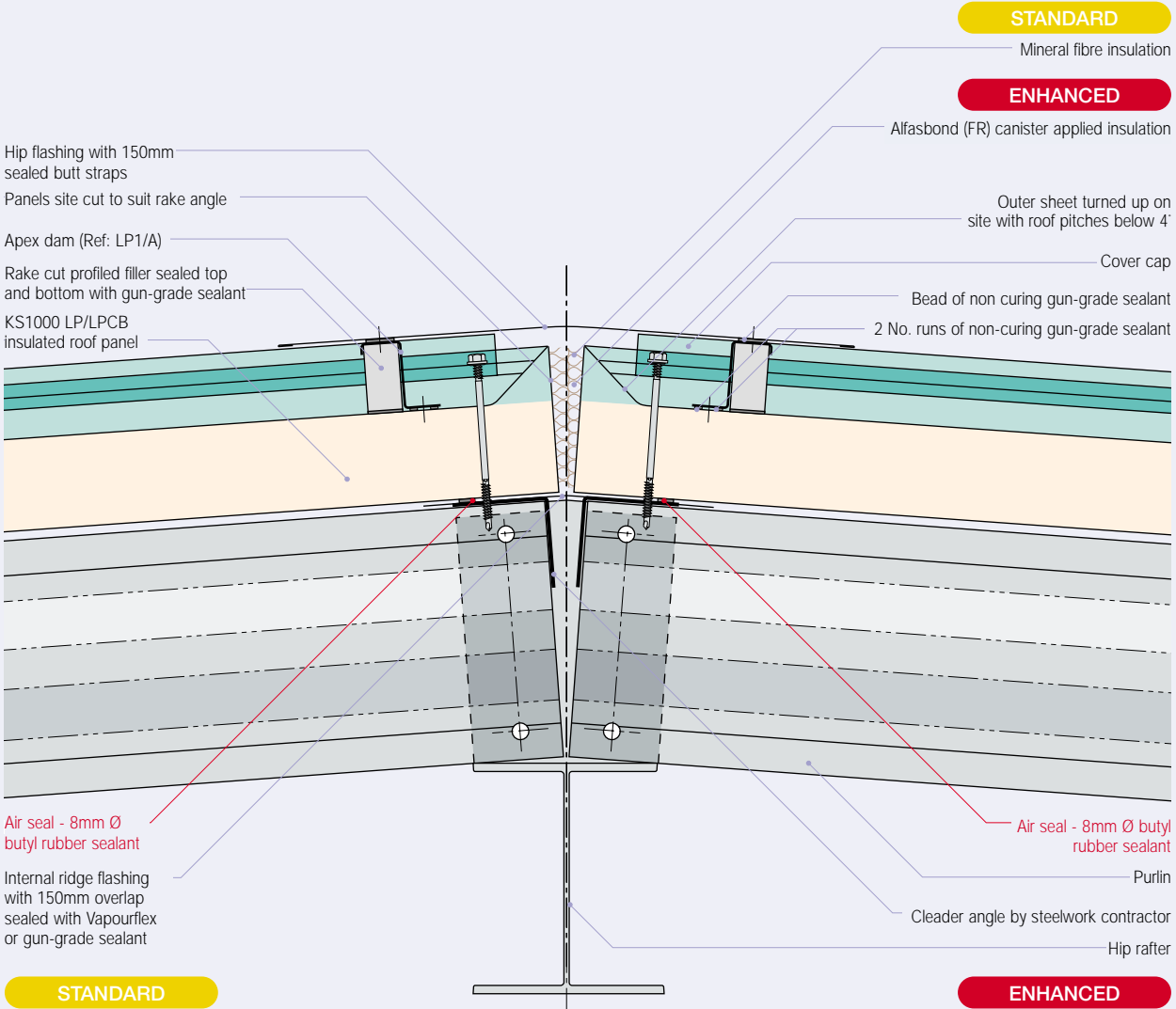




Hip Detail

Hip Detail



STANDARD

Building Regulations Part L2 Thermal Data
 $f_{min} = 0.97$ $\Psi = 0.01$ W/mK
 The above values are only applicable to the components on this detail. Changes to the components will have an effect on the given values.

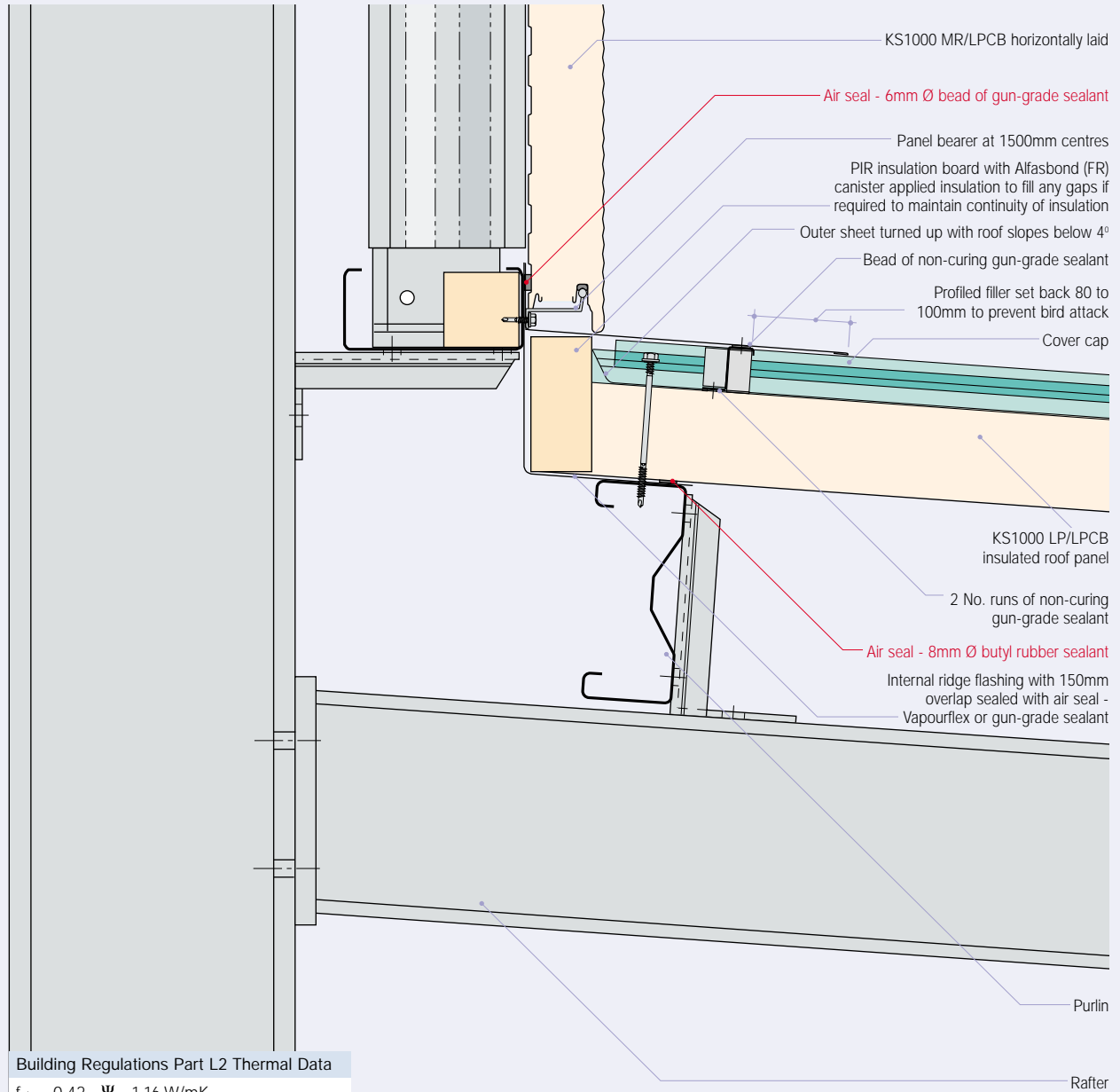
ENHANCED

Building Regulations Part L2 Thermal Data
 $f_{min} = 0.97$ $\Psi = 0.004$ W/mK
 The above values are only applicable to the components on this detail. Changes to the components will have an effect on the given values.

KS1000 LP/CR Roof Construction Details

Lean-to Roof Detail

Vertical Cladding



Building Regulations Part L2 Thermal Data

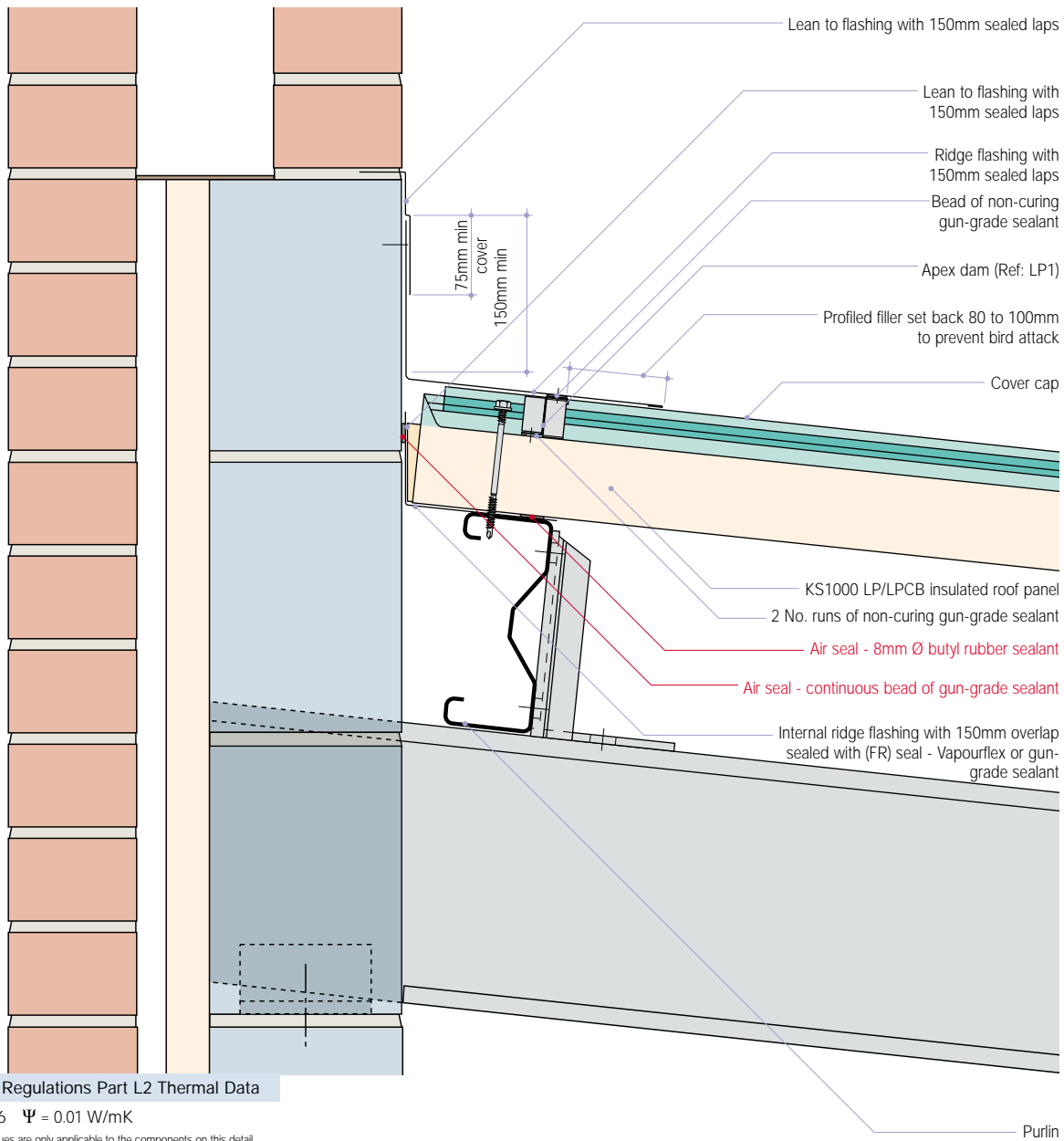
$f_{min} = 0.42$ $\Psi = 1.16$ W/mK

The above values are only applicable to the components on this detail. Changes to the components will have an effect on the given values.



Lean-to Roof Detail

Hip Detail



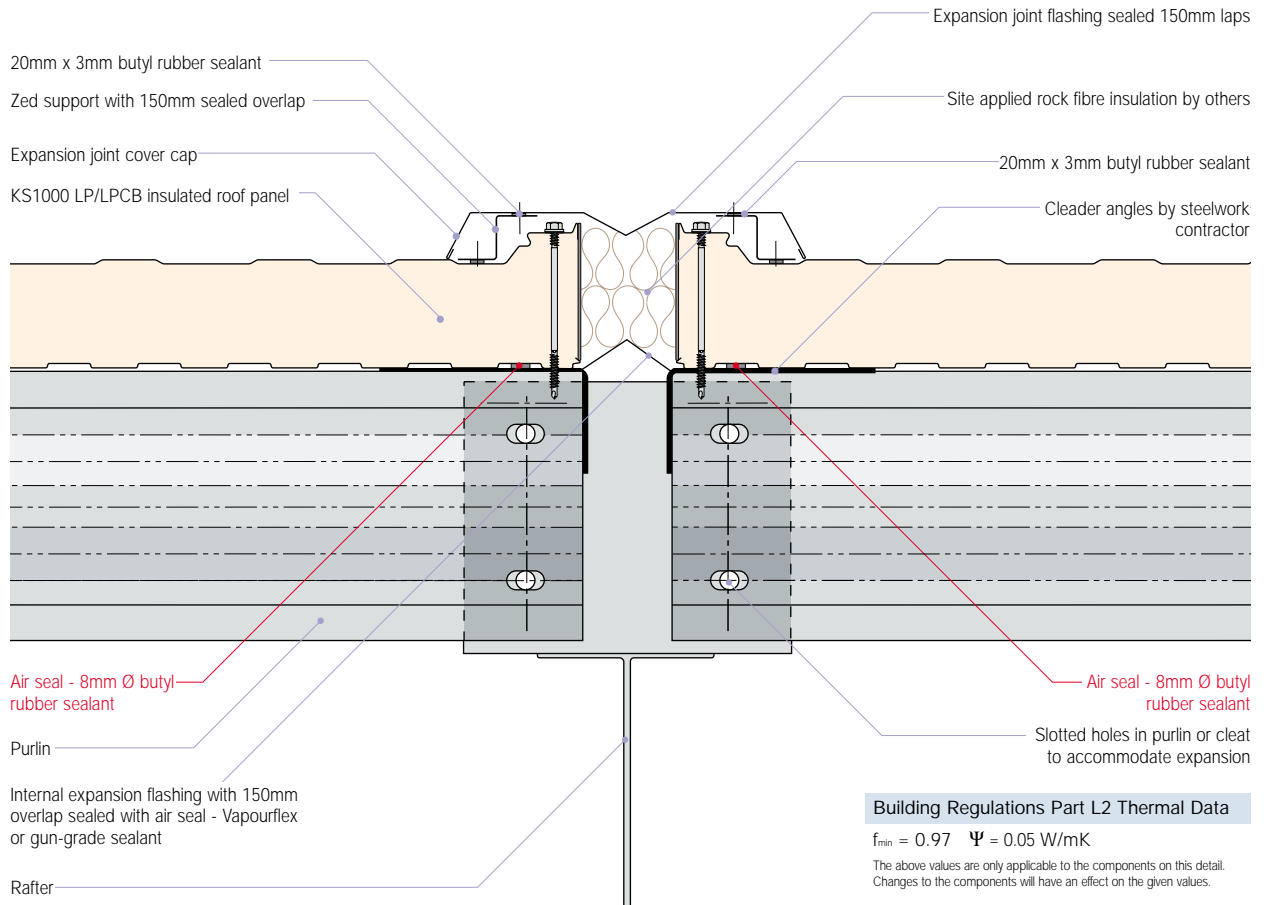
KS1000 LP/CR Roof Construction Details

Building Regulations Part L2 Thermal Data

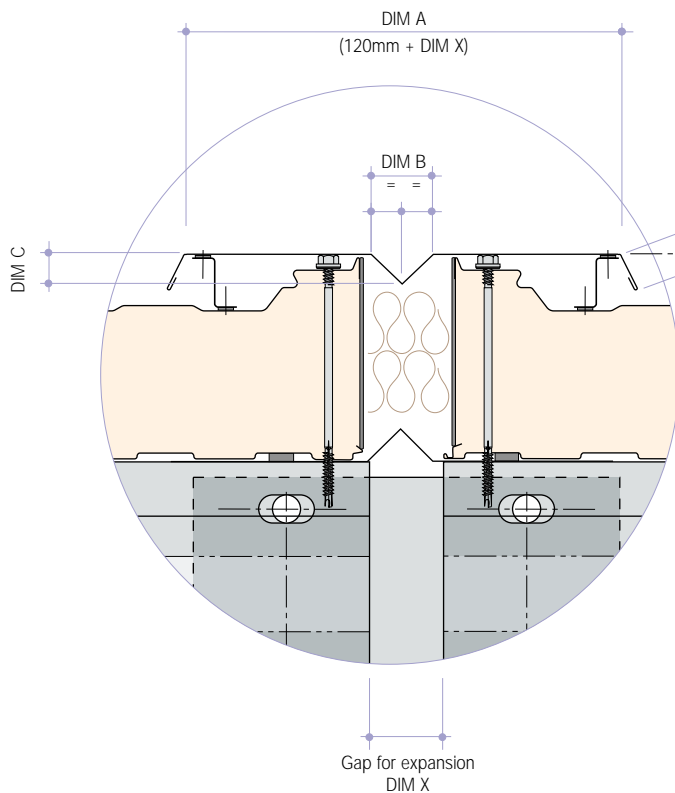
$f_{min} = 0.96 \quad \Psi = 0.01 \text{ W/mK}$

The above values are only applicable to the components on this detail. Changes to the components will have an effect on the given values.

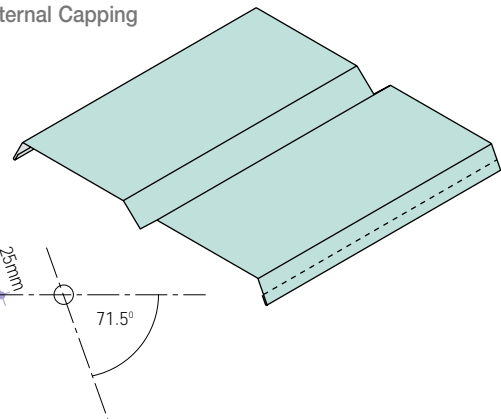
Expansion Joint



Cover Cap Expansion Joint Detail



External Capping



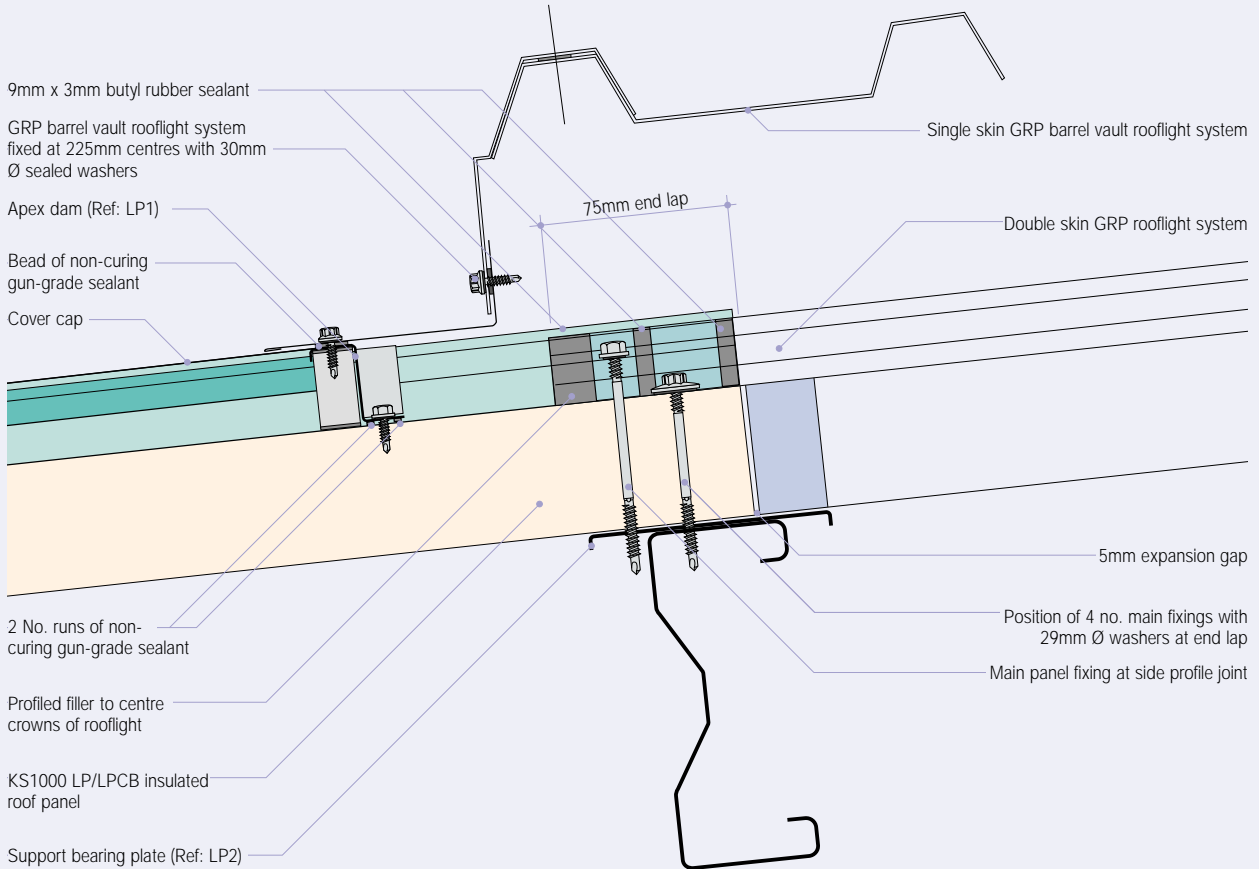
Cap Ref	Dim X	Dim A	Dim B	Dim C
CAPEX/20	20	140	10	13
CAPEX/25	25	145	15	13
CAPEX/30	30	150	20	10
CAPEX/35	35	155	25	12.5
CAPEX/40	40	160	30	15

Note: Max length 4000mm
Colour to match panel weather sheet

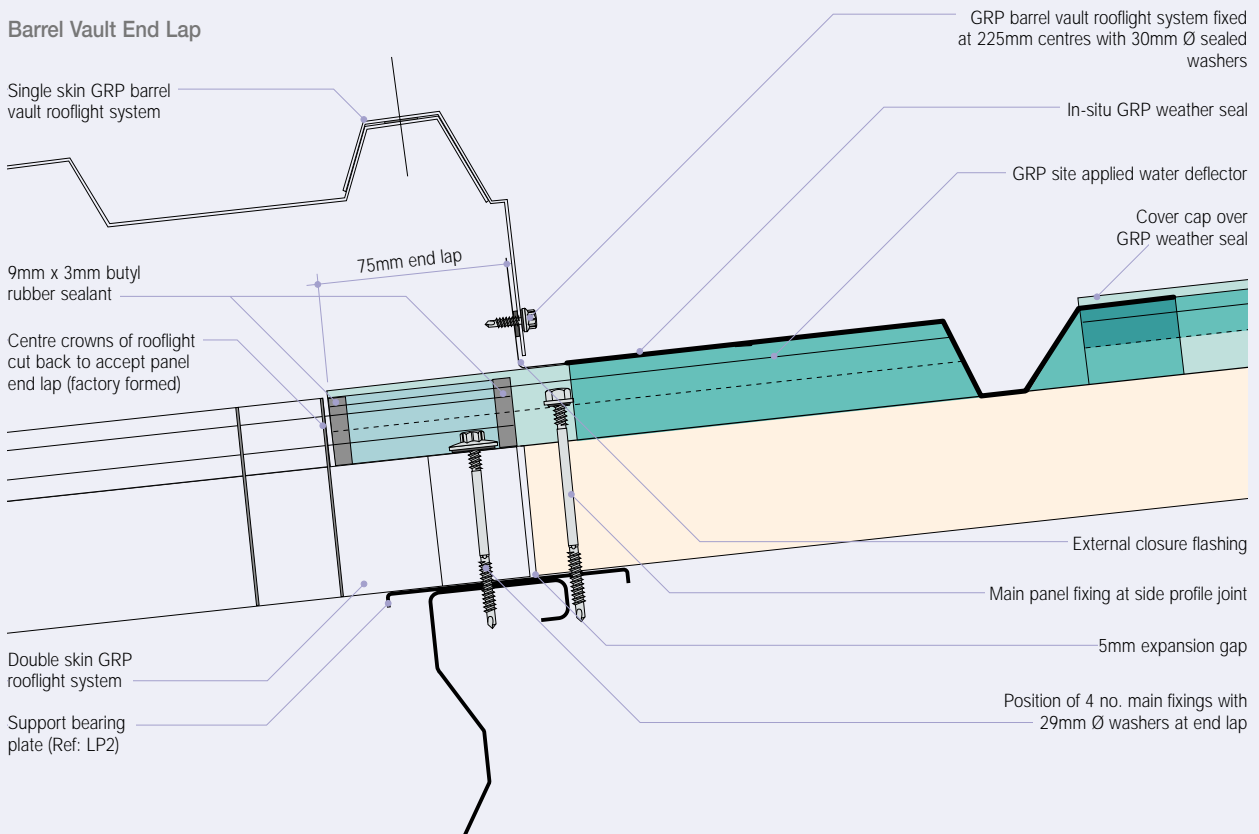


Barrel Vault Rooflight Mounted Off Ridge

Barrel Vault End Lap



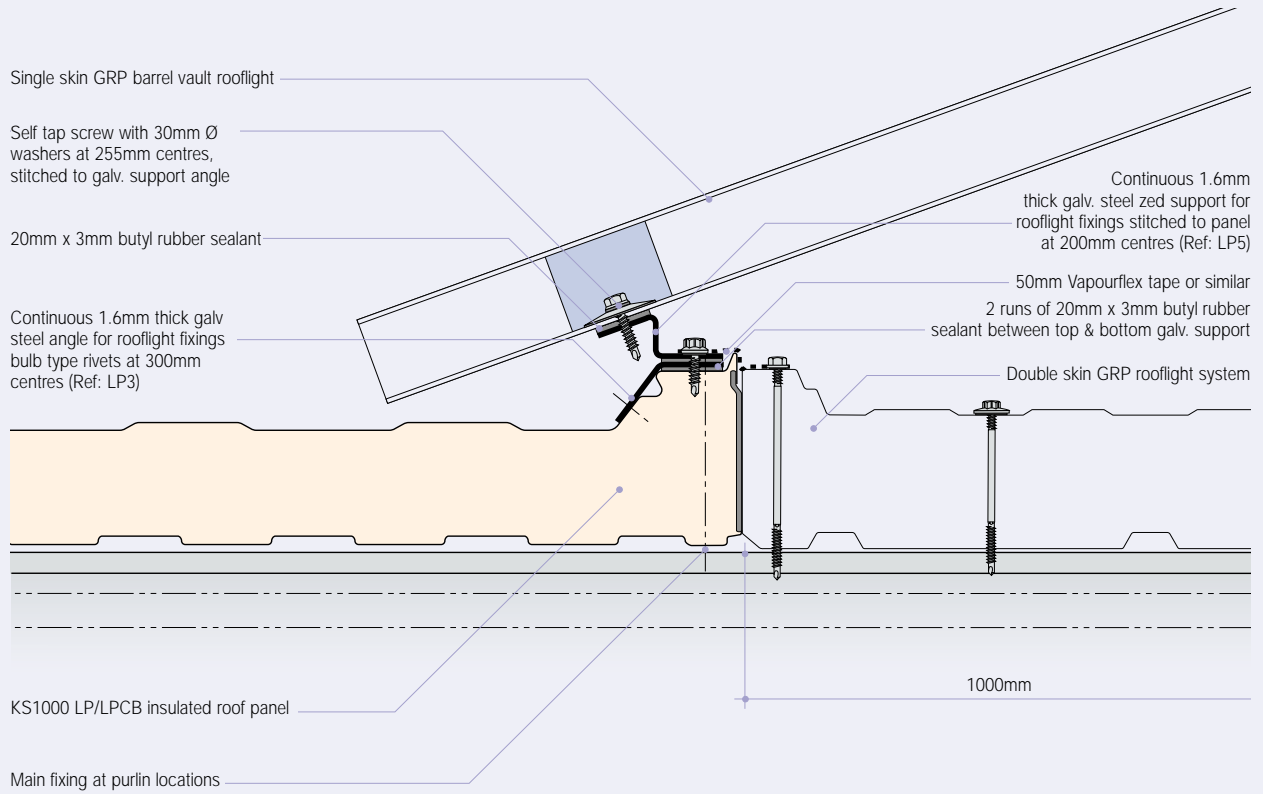
Barrel Vault End Lap



KS1000 LP/CR Roof Construction Details

Barrel Vault Rooflight Mounted Off Ridge

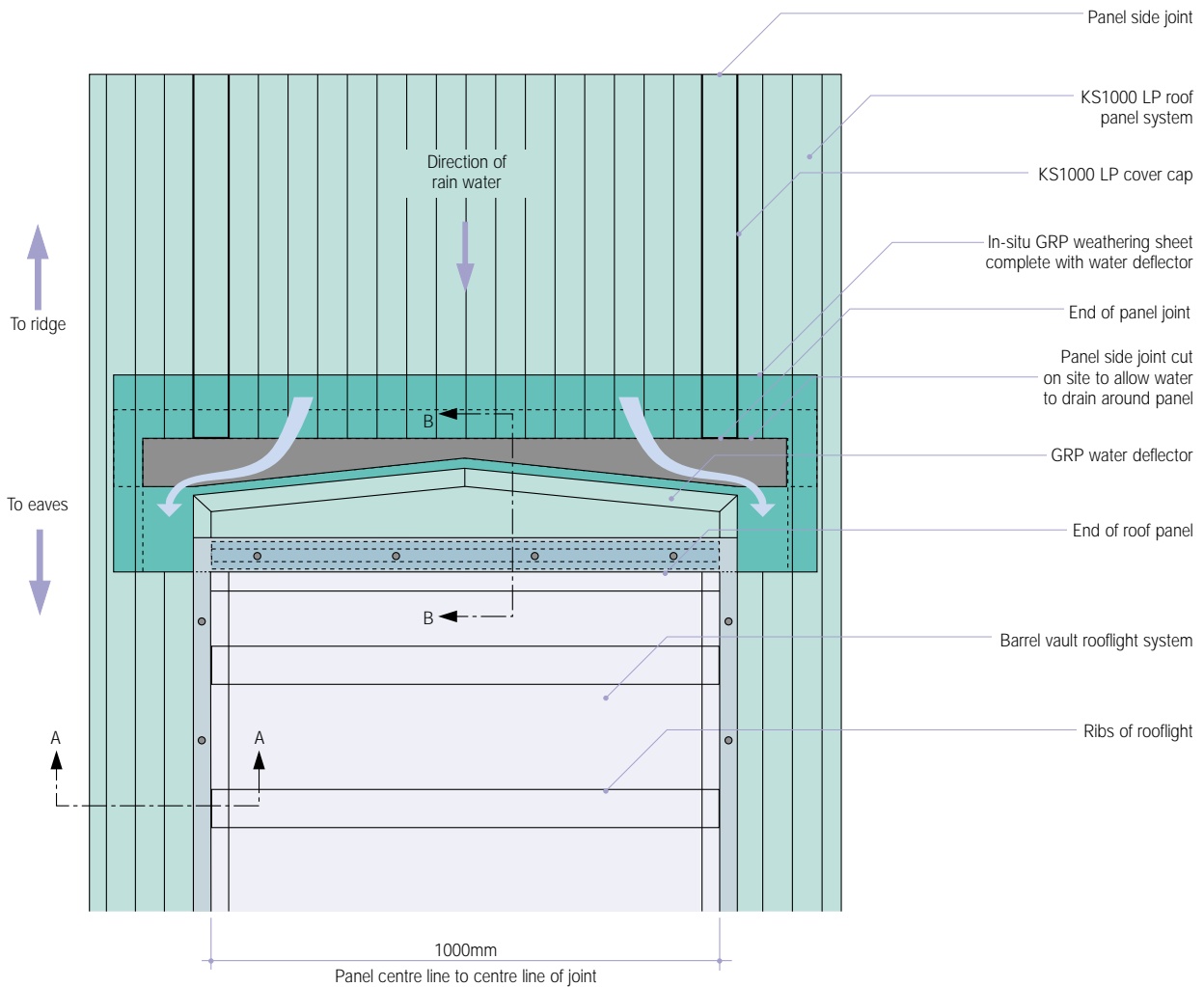
Barrel Vault Side Lap Detail





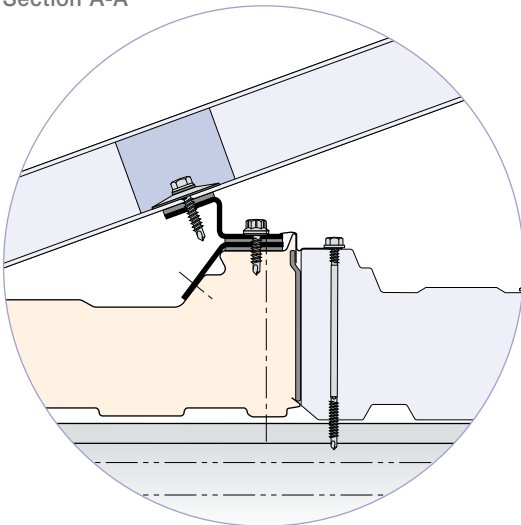
Barrel Vault Rooflight Mounted Mid Slope

Plan View of Upslope Detail

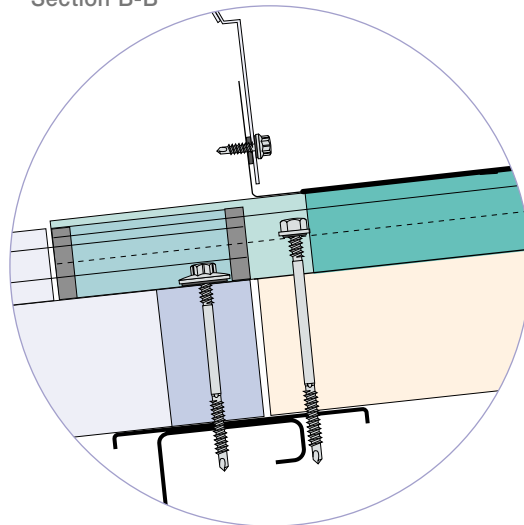


KS1000 LP/CR Roof Construction Details

Section A-A



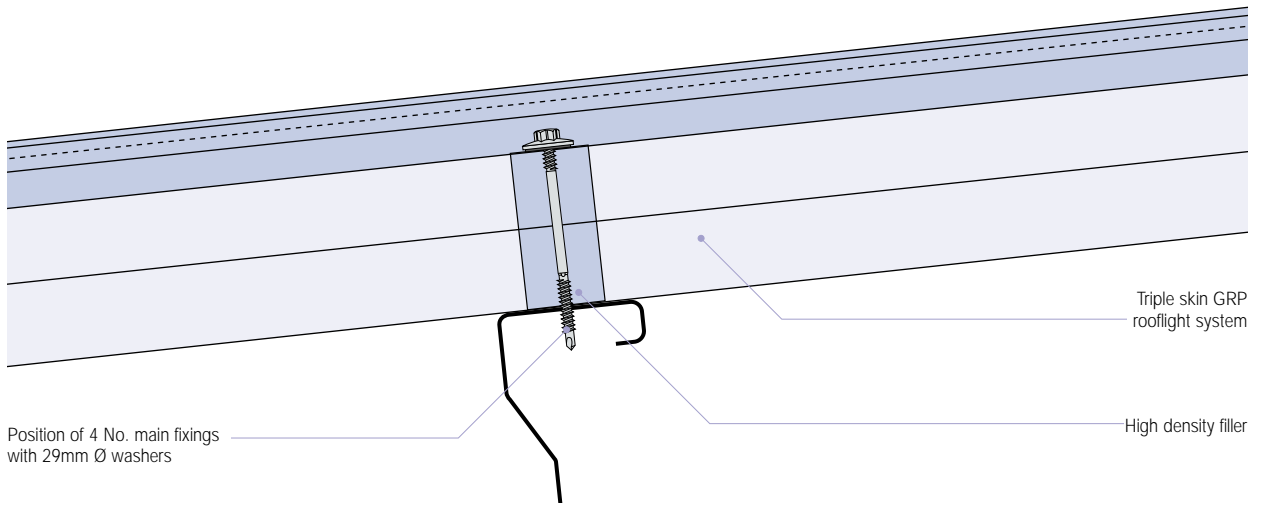
Section B-B



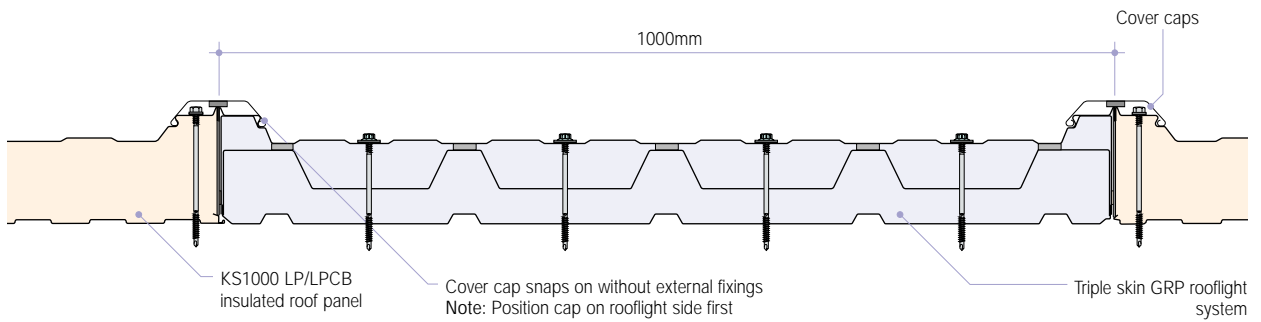
GRP Integral Rooflights Factory Assembled

Over 4° - Roof Slope

Rooflight to Intermediate Detail



Rooflight Side lap - Fastener Location Detail

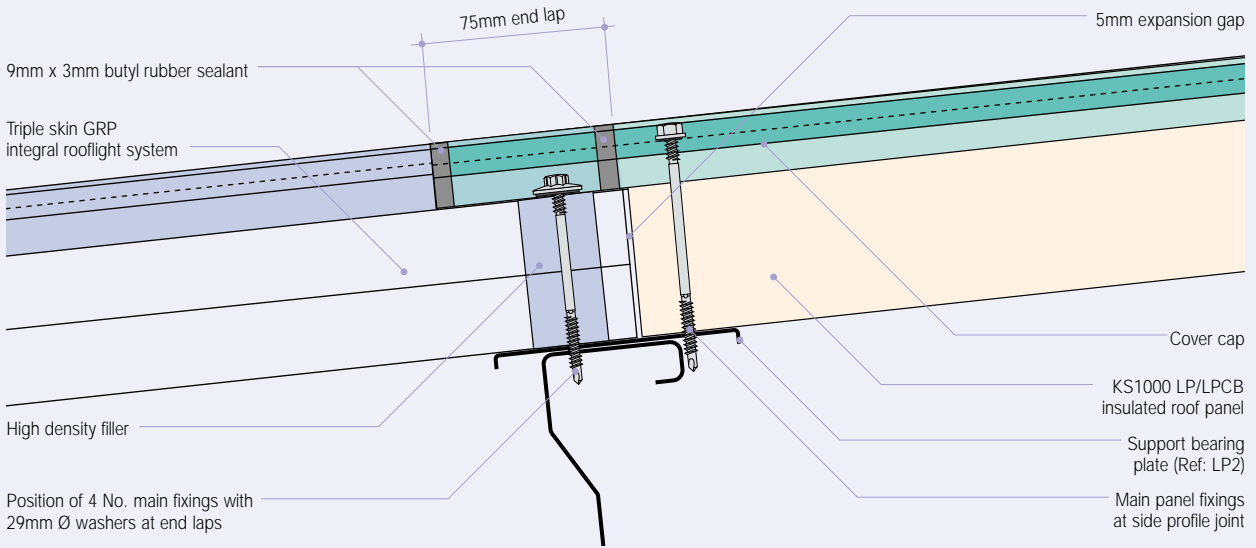




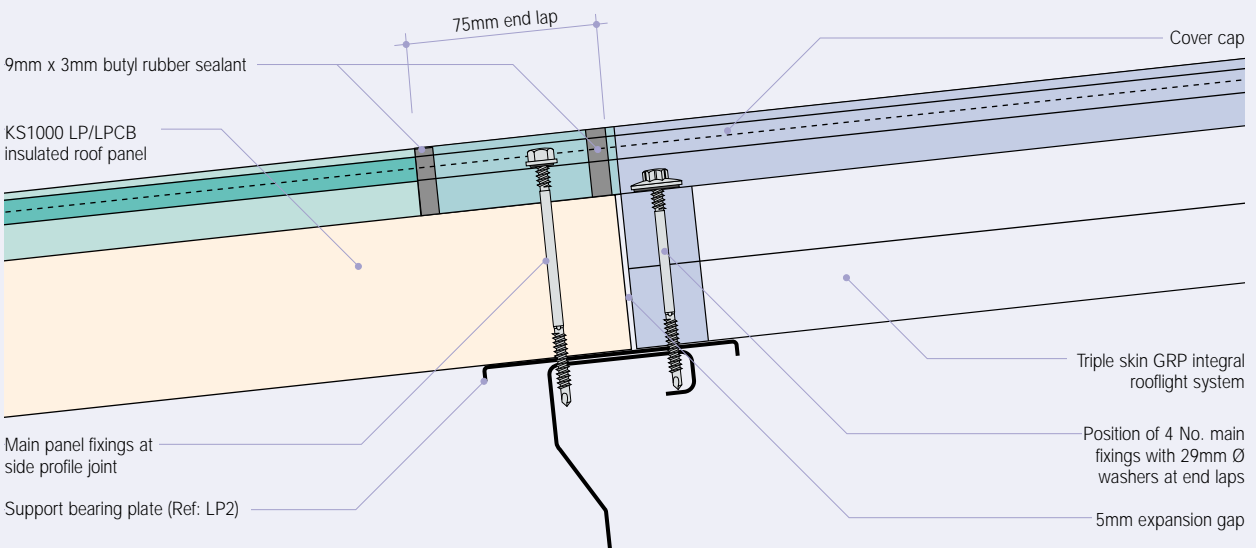
GRP Integral Rooflights Factory Assembled

Over 4° - Roof Slope

End lap Detail (Panel to GRP Rooflight)



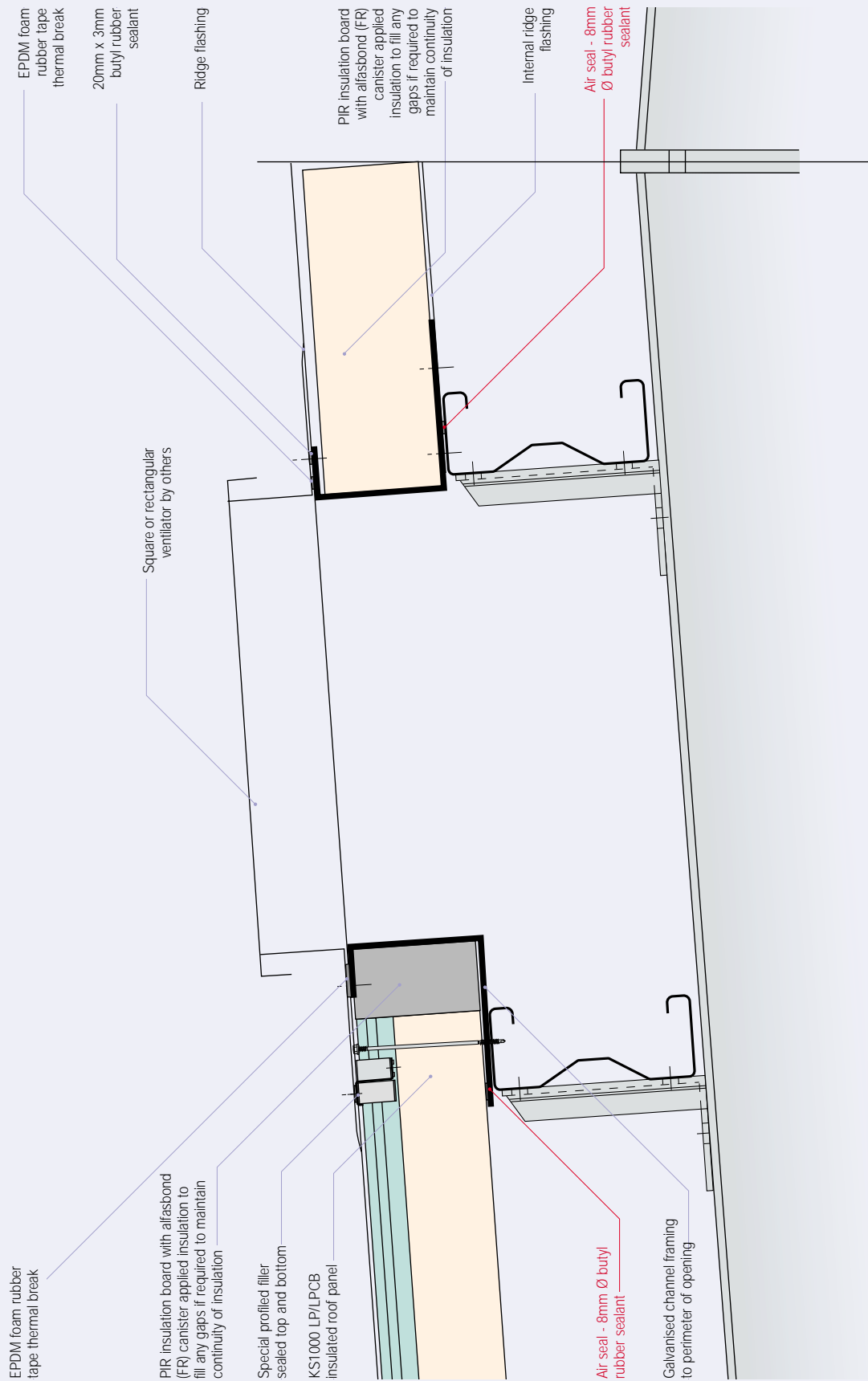
End lap Detail (GRP Rooflight to Panel)



KS1000 LP/CR Roof
Construction Details

Roof Ventilator Mounted Off Ridge

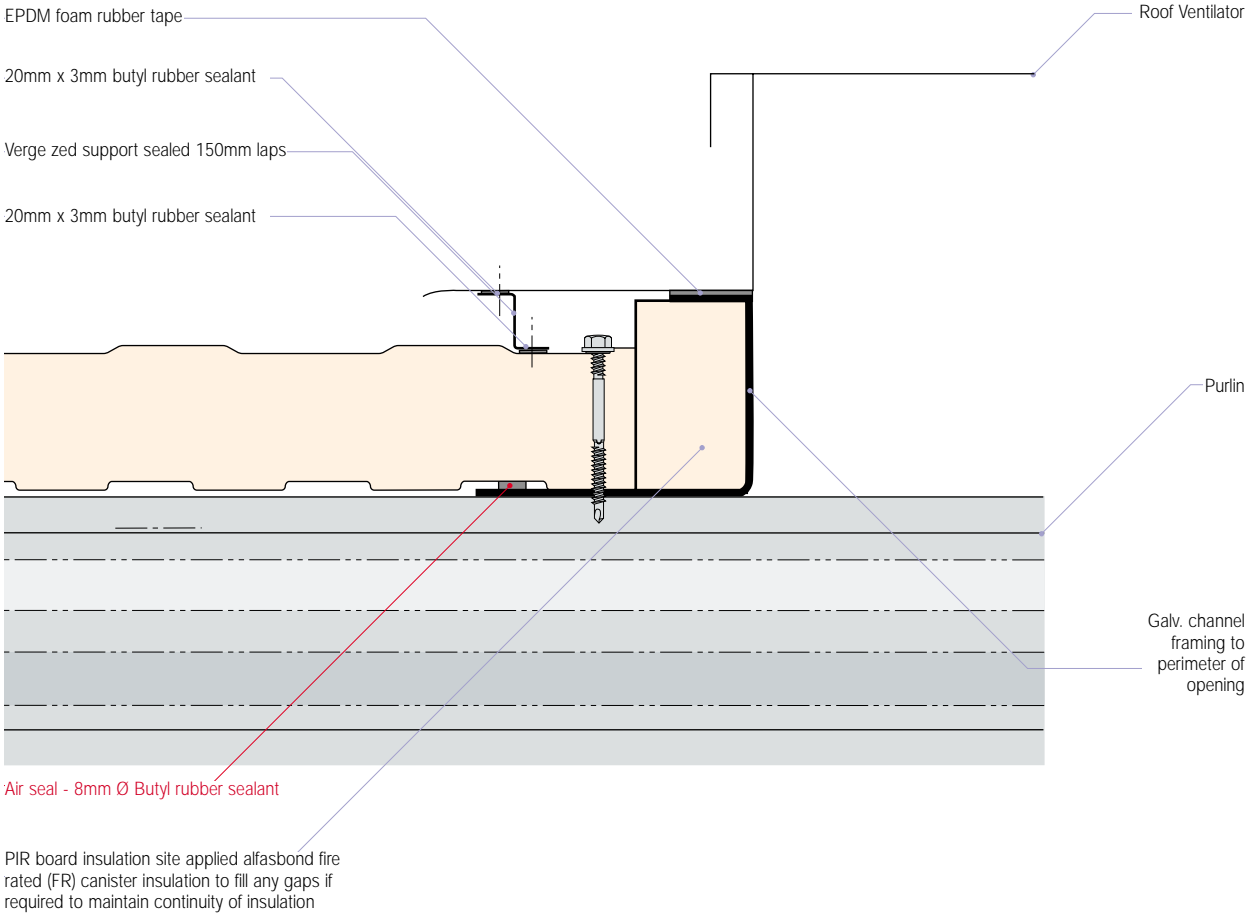
Detail Through Ridge





Roof Ventilator Mounted Off Ridge

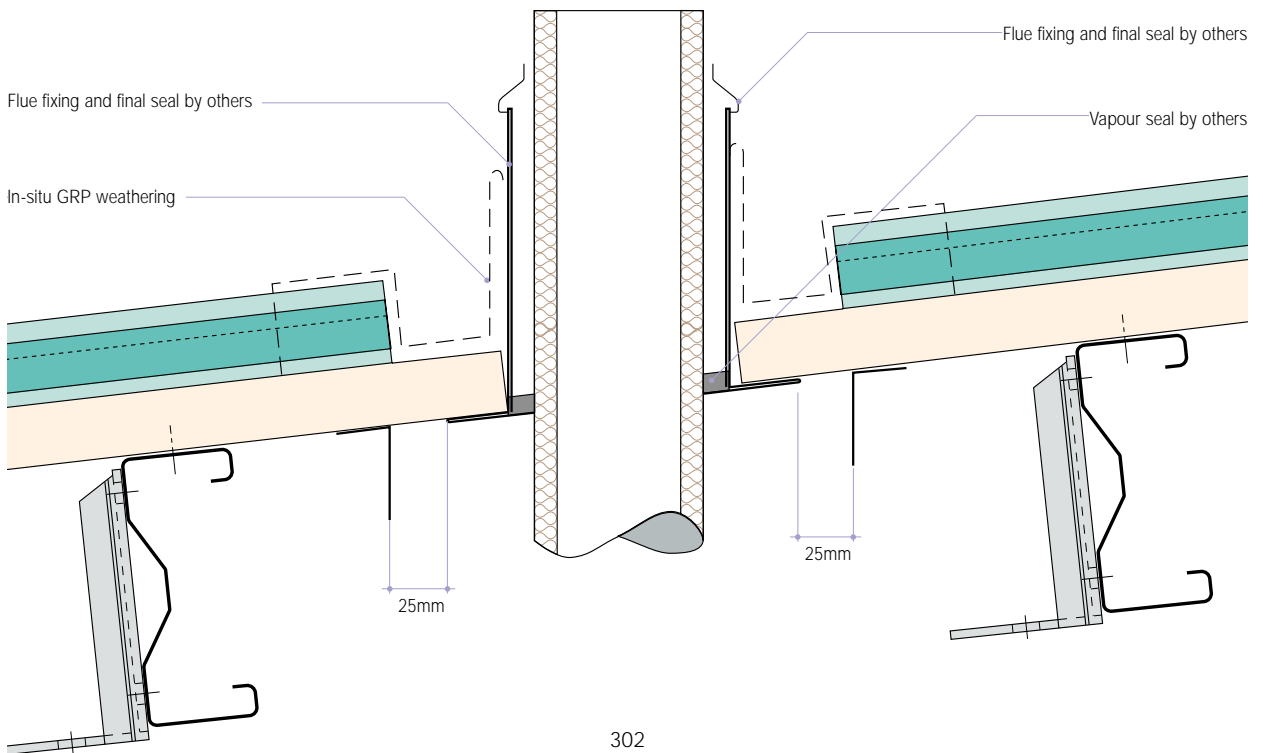
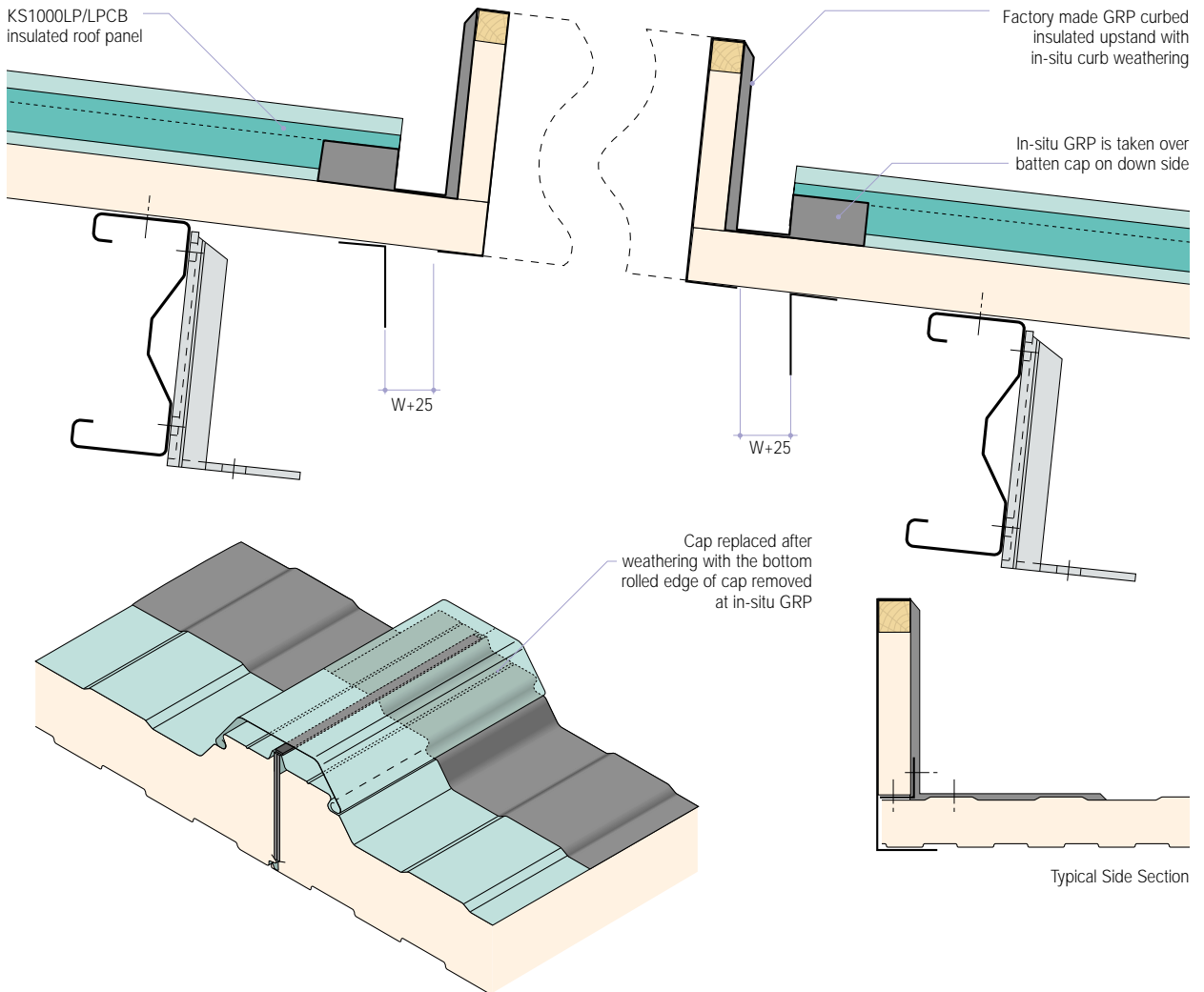
Cross Section Through Roof



KS1000 LP/CR Roof
Construction Details

Insulated Flues & Curb Details

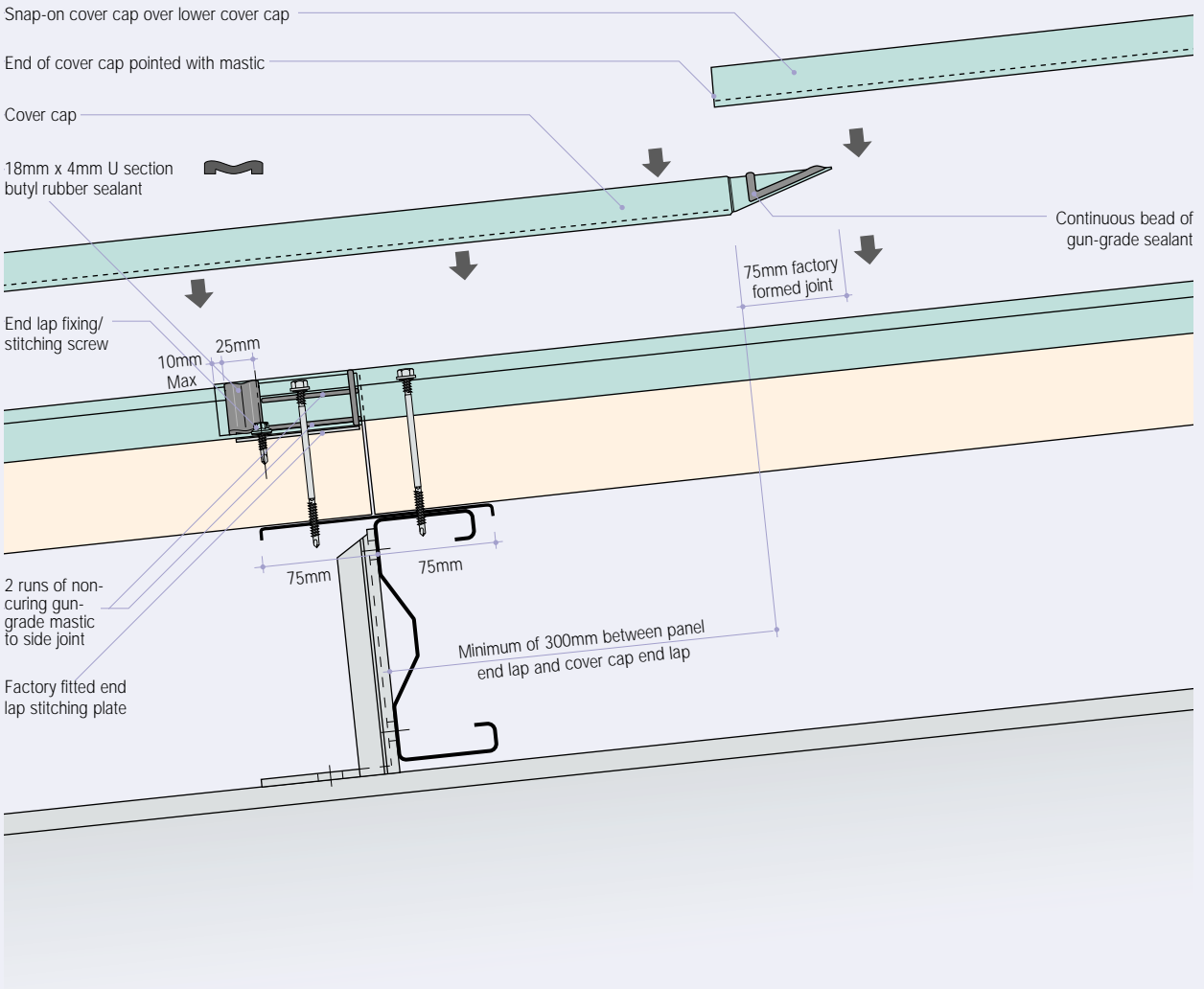
Penetration Panels



Curved Roof Panel Details

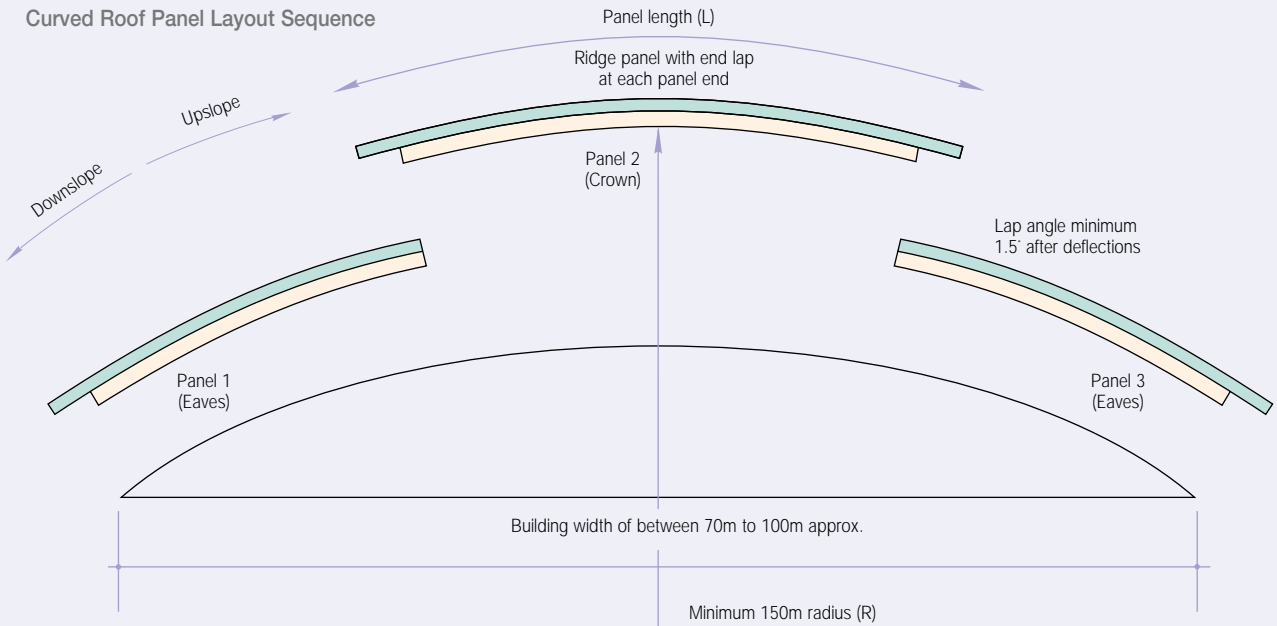


End Lap Detail



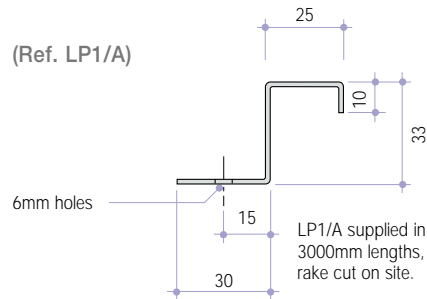
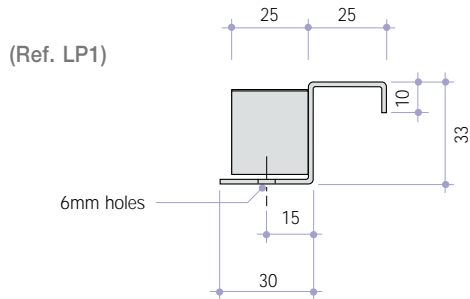
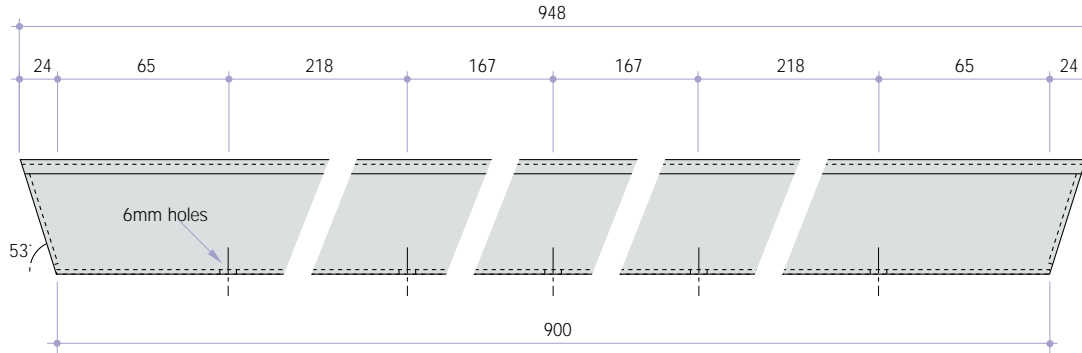
KS1000 LP/CR Roof Construction Details

Curved Roof Panel Layout Sequence



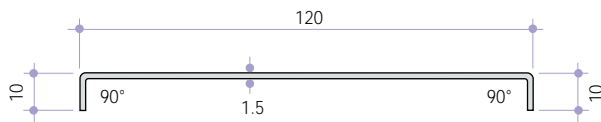
Component Details

Apex Dam (Ref. LP1)
(To suit 25mm filler)



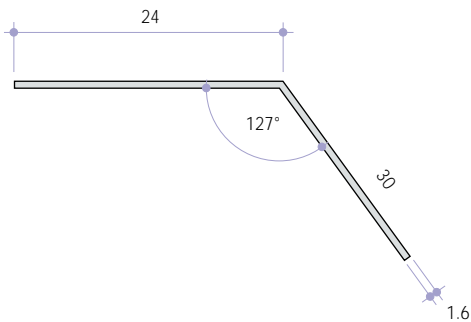
Material: Galvanised steel substrate with double sided Plastisol HP200 coating

Support Closure Plate (Ref. LP2)

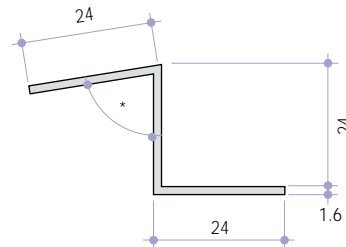


Material: Pre-galvanised steel

LP3 - Galvanised Steel



LP5 - Galvanised Steel



Note: All dimensions in millimetres

*Angle determined by Brett Martin to suit curvature of rooflight