



BOON EDAM

YOUR
ENTRY
EXPERTS.

MEDIUM LEVEL SECURITY



LIFELINE SPEEDLANE OPEN.

THE **UNOBTRUSIVE** ENTRY SOLUTION

Slender, sleek and unique, the Lifeline Speedlane Open is an open security gate with smart sensors that allow for tailgating detection which include alarm notifications. Fashioned without door wings for an advanced user-friendly and welcoming experience, the open-style facilitates faster thoroughfare and a compact footprint.





OVERVIEW

The world has changed, and it has changed quickly. The need to increase security in public places is no longer an option, but a responsibility. With this in mind, we have to question how to secure an area without creating the impression of exclusion. The Lifeline Speedlane Open is the answer to this welcome and secure solution. Barrier-free and streamlined, this speed gate delivers the best of both worlds.

This entrance solution also provides a stylish and secure way to keep track of who is in your building by integrating with a time management 'clock-in / clock-out' system.

ERGONOMICALLY SUPPORTING SPEED

The Lifeline Speedlane Open is a barrier-free speed gate with the most compact footprint available. The speed gate plays a huge role in facilitating the flow of visitors entering and leaving a space. This product provides a medium security solution for areas interested or in need of risk mitigation. A manned security guard is still a necessity and they are promptly alerted to any breach of security in the sensitive area, to which they can swiftly react.

INVISIBLE SECURE OPERATION SEQUENCE

As the visitor approaches, the speed gate comes to life. A pulse of light travels along the unit drawing the eye up. A modern arrow symbol directs the user through, as a panel lights up within the smooth black curved glass top, inviting the user to present a valid 'pass'; a 'pass' is presented, and upon authorisation, the visitor is easily guided through as the pulse of light travels across the lane. The cycle is completed, and the speed gate is ready for its next visitor. The system allows for reliable detection of unauthorised users at the same time. After a set idle period (without any user engagement), the Lifeline Speedlane Open will fall back to sleep to save energy.

KEY FEATURES

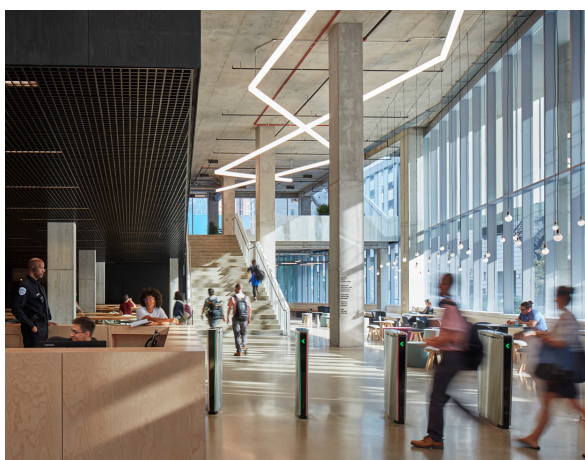
- Intuitive approach detection
- Tailgating detection
- Slim, V-shaped, tapered cabinets with ergonomic design and compact footprint
- Premium quality materials
- Flexible lane configurations
- Low-energy, "sleep" mode
- Universally understood and proven display symbols
- Additional flexible options available to fine-tune or 'Level Up' (see page 4/5)

KEY BENEFITS

- Relieves pressure from security or reception staff
- Coordinates beautifully with existing building décor and design
- Unobtrusive security detection
- Compact cabinet design optimises use of valuable floor space
- Built to last

SUGGESTED SEGMENTS

- Corporate offices
- Multi-storey tenant buildings
- Medical and pharmaceutical facilities
- Schools, universities and colleges
- Sports facilities
- Government and embassy buildings



PUTTING THE POWER BACK IN YOUR HANDS

One size does not fit all, and that is why we at Boon Edam believe in offering modular solutions. This approach allows the security professional to design a tailored entrance solution that balances security and safety with aesthetics.

The result is a unique entrance that fits the needs of each industry, application and individual company. To get started, choose from an array of quality standard options. Then, 'Level Up' where it matters most to your company – whether that be in terms of throughput, security, safety, aesthetics, technology or user comfort – or a combination of each. A modular solution approach truly puts the power back into your hands - the power to create a refined entry with ease.

SCALABLE FLEXIBILITY IS THE FUTURE

The ability to integrate a large variety of secondary security technology into our speed gates is the ideal way in which to fine-tune by 'Leveling Up' their entrance security when increased protection is required.

Meeting your security goal easily and within your budget is the reason why we work together with you to ensure that by using these options, you end up with a product that outperforms the others safely, beautifully and profitably.

You can level up in any of these categories:

- THROUGHPUT
- SECURITY
- SAFETY
- AESTHETICS
- TECHNOLOGY
- COMFORT
- SERVICE

LEVEL UP



If our standard specifications do not quite suit your needs, we open up opportunities for you to 'Level Up' where it counts most. You can also do this according to your most motivating value driver:

The specification table shows you our standard product options, and to the right of these, you can easily see, and consider, any compatible 'Level Up' options for fine-tuning the Lifeline Speedlane Open.

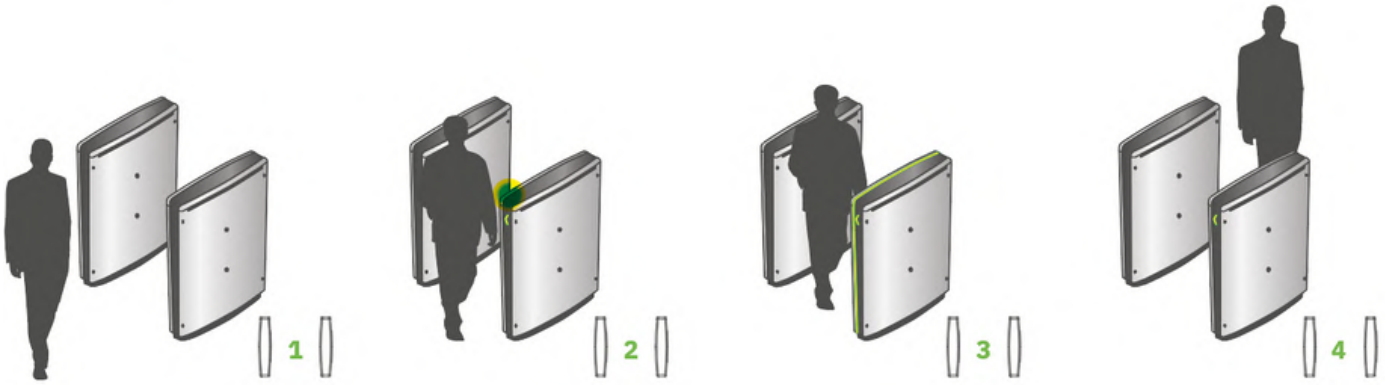


TECHNICAL SPECIFICATIONS

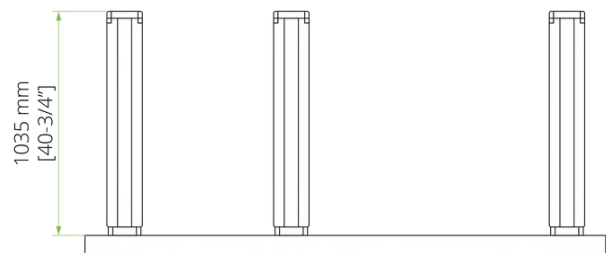
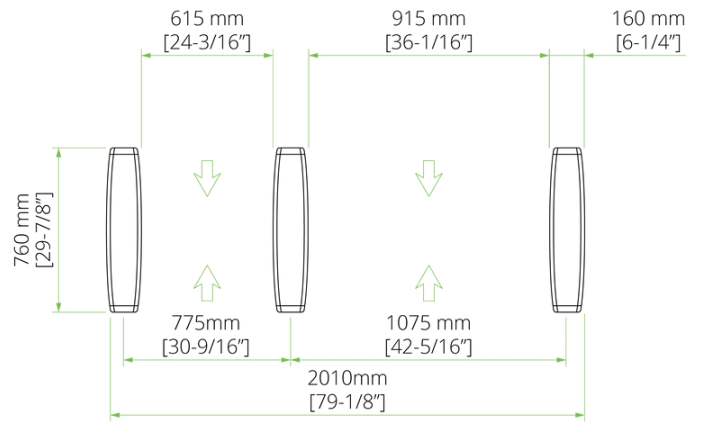
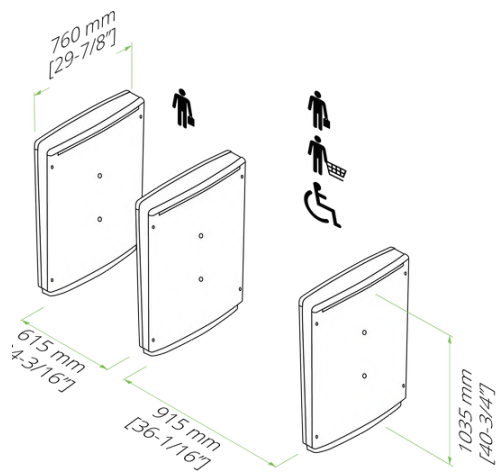
 THROUGHPUT	STANDARD	LEVEL UP OPTIONS
Throughput	20 - 30 People per minute	
Cabinet Width	160 mm / 4-1/8"	
Cabinet Height	1035 mm / 40-3/4"	
Cabinet Length	760 mm / 29-15/16"	
Passage Width	615 mm / 24-1/4"	Any width between: 500 - 915 mm / 19-11/16" - 36-1/16"
Overall Lane Width	935 mm / 36-13/16" (for a single lane)	Any width between: 820 - 1235 mm / 32-1/4" - 48-5/8"
Wing / Barrier Height	Not applicable	
 SECURITY	STANDARD	LEVEL UP OPTIONS
Unauthorised User Detection	Standard sensor set	
Booking Signal	Adjustable booking signal	
Sound Alarm	Standard buzzer	Sound module
Tailgating Detection	Standard Range	
 SAFETY	STANDARD	LEVEL UP OPTIONS
Fire Alarm Connection	Emergency egress settings depending on local regulations and or customer request	
 AESTHETICS	STANDARD	LEVEL UP OPTIONS
Cabinet Material	Stainless steel	
Cabinet Colour	Standard stainless steel	Other Colours: On special request
		Branding: On special request
 TECHNOLOGY	STANDARD	LEVEL UP OPTIONS
Power Supply	110-240 VAC, 50 / 60 Hz	INTEGRATION OPPORTUNITIES:
Operating Power	50W	<ul style="list-style-type: none"> Lifeline Boost Mount (4 options) BoonTouch External Control Panel (up to 6 lanes)
Operating Temperature	-15°C / +5°F to +50°C / +122°F	
Weight	100 Kg / 220.4 lbs	
Access Control Systems	Dry contacts for virtually any access control device	
Card Reader Mount	Under the top of the cabinet. Max. dimensions: 55 x 130 x 50 mm / 2" x 5" x 2" (WxLxH)	
 COMFORT	STANDARD	LEVEL UP OPTIONS
Disabled Access	Wide passage width option suitable for disabled access	Winglock Swing access gate Passage width 915 mm / 36"
Intuition	Approach sensors, Feedback signals Lifeline LED guidance	
Stand-by Power Consumption	Stationary 50W, Sleep Mode 40W	

6 WORKING PRINCIPLE

YOUR ENTRY EXPERTS | BOON EDAM



TECHNICAL DIMENSIONS





SERVICE AND MAINTENANCE

With hundreds or thousands of visitors passing through an entry every day, continued and reliable operation is vital. Regular service and maintenance can prevent unexpected hardware breakdowns. Boon Edam's service and maintenance teams across the world are experienced in the effects the local conditions have on the wear and tear of your entry solutions and can offer specialised service and maintenance contracts that correspond to those conditions perfectly.

COMPLIANCE

The goal of an organisation is to safeguard the valuable assets inside – both people and property. As is often the case, industries must comply with relevant local and global laws, policies and regulations, to achieve the important goal of overall safety and security. Failure to meet the appropriate measures and criteria set out in these regulations could result in catastrophic incidents and substantial fines.

Boon Edam security entrances are trusted solutions that allow organisations to meet compliance regulations related to restricting access to areas within a building. We take compliance and safety very seriously and ensure that our products are manufactured, installed and maintained to keep up the strict criteria required in all our countries. We are always improving and always committed to making sure our products are compliant and certified. More information can be found on our website under 'Our Responsibility'.

The Lifeline Speedlane Open complies with the following European standards:

- Machine Directive (2006/42/EC)
- EMC Directive (2004/108/EC)
- RoHS Directive (2011/65/EU)



OUR REACH IS GLOBAL.

We have been in business for more than 140 years manufacturing premium aesthetic and security entrance solutions in the Netherlands, United States of America and China. We can confidently say that we cover every corner of the globe with subsidiary companies in major cities across the globe. Furthermore our global export division not only partner with our distributors, but also offer direct sales and service to every territory. This wide net allows us to have a strong global footprint as well as a personal grasp of local markets and their unique entry requirements.

To find your closest Boon Edam expert, please go to:
www.boonedam.co.uk/contact



Boon Edam Limited
T +44 (0)1233 505 900
E contact@boonedam.co.uk
I www.boonedam.co.uk


BOON EDAM
YOUR ENTRY EXPERTS.