



jaga

LINEA PLUS

Energy
SAVERS
LOW-H₂O

BROCHURE £ UK 2013





Energy
SAVERS
LOW-H₂O

LINEA PLUS

Warm power, slim line

- A Jaga classic with timeless design, the first award winning radiator ever !
- Discreet, slim-line design with perforated and curved grille .
- Clean and simple, flat front panel.
- Partially pre-assembled for quick installation.
- Low-H₂O technology with super conductive and ultra fast heat exchanger for low energy consumption and maximum heat emission.
- Twin Power for better compensation of the downward cold air flow next to glazed façades or ventilation grilles.
- DBE model for super-low water temperatures from 28°C.
- Suitable for an integrated valve and concealed connection.
- Safe to touch casing.
- **A 30 year guarantee** on the heat exchanger.



1990
European
DESIGN PRIZE

Also available as freestanding model for glazed façades.
See page 84.



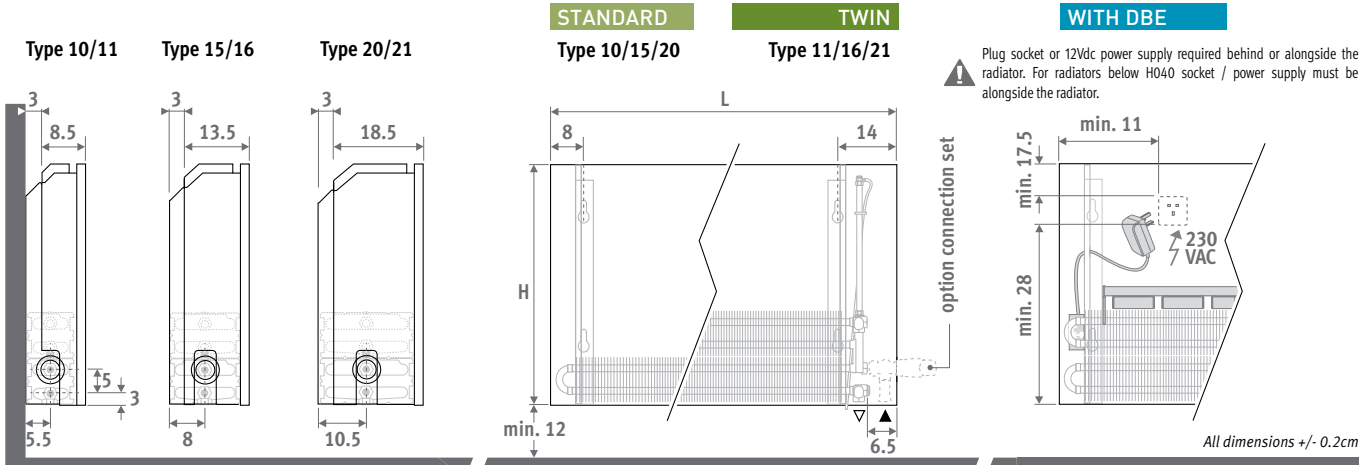


LINEA PLUS

LINEA PLUS



DIMENSIONS (in cm)



DELIVERY

Easy to install by one person. Delivered in a cardboard box, which can also be used as protection on site after installation.

Standard delivery:

- Low-H₂O heat exchanger with wall brackets and fixing kit
- air vent elbow (standard) or extended air vent (twin) 1/8" and drain plug 1/2"
- partially pre-mounted casing for connection left or right at low level

Delivery with DBE:

- number of DBE unit(s) varies according to the length
- operation, control and power supply 12VDC
- mounting instructions
- packed with the radiator

COLOURS

Environmentally friendly, scratch-resistant, high UV resistant powder coating.

Standard colours:

- traffic white RAL 9016 (133), soft touch lightly structured satin lacquer
- sandblast grey (001), fine texture metallic lacquer

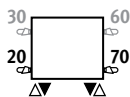
Other colours: see colour chart.

CONNECTION

Standard connection:

Bottom end left or right, to the wall or to the floor. Connection to the wall via the bottom of the casing, or totally concealed within the casing, depending on the valve or connection set chosen.

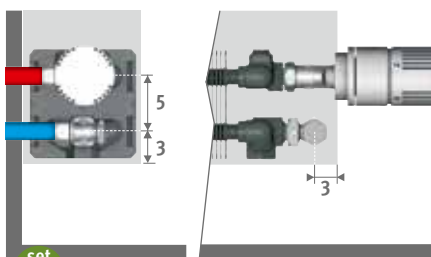
Optional high level valve:
add to the code of the radiator /30 (left) or /60 (right)
Ex. LINW.035 050 10.xxx/60
High level valve details : see "Connection sets & Valves".



Optional remote controlled valve:
add to the code of the radiator /00.
Ex. LINW.035 050 10.xxx/00
For valve set prices see chapter "Connection sets & valves"

CONNECTION SETS

Example to the wall, totally concealed within the casing



set 25

CODE 2-PIPE

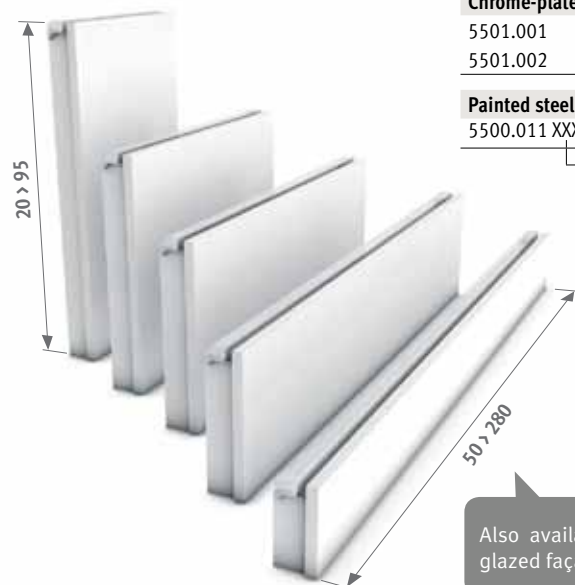
	COLO.SW2.JC.3...	70.70
	COLO.SW2.JW.3...	58.00

fill in sleeve coupling code

Precision metal tube 14/1	114
Precision metal tube 15/1	115
Precision metal tube 16/1	116
RPE/ALU tube 16/2	316

Other connection sets:

See chapter "Connection sets and valves" for all connection options and technical information



ORDERING CODE

code	height	length	type	colour
LINW .	020	050	10 .	XXX

fill in colour code ↴

ORDERING CODE WITH DBE

code	height	length	type	colour	Option
LINW .	020	060	06 .	XXX	/DBE

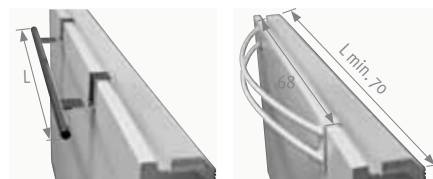
fill in colour code ↴

DBE should be selected according to the power in comfort mode, as stated in the price and output table. The transition between standby (inactive) and comfort is managed automatically depending on the measured temperature and settings. For boost mode: see www.jaga.co.uk.



TOWEL RAILS

Chrome-plated alu. Painted steel



Chrome-plated alu.	L	£
5501.001	56	148.20
5501.002	66	148.20

Painted steel	L	st. colour	other
5500.011 XXX	68	56.80	61.40

fill in colour code

Also available as freestanding model for glazed façades. See page 84.

H020 - LINEA PLUS



LINW.020 LLL TT.XXX

LINW.020 LLL TT.XXX/DBE

L	STANDARD					TWIN					WITH DBE					
	Type	Watts 75/65	Watts 55/45	£ st. colour	£ other	Type	Watts 75/65	Watts 55/45	£ st. colour	£ other	Type	Watts 75/65	Watts 55/45	Watts 45/38	£ st. colour	£ other
050	10	284	136	81.10	96.70	---	---	---	---	---	---	---	---	---	---	---
	15	519	251	95.30	111.80	---	---	---	---	---	---	---	---	---	---	---
	20	697	337	110.40	128.10	---	---	---	---	---	---	---	---	---	---	---
060	10	341	164	86.60	103.10	---	---	---	---	---	10	491	295	211	241.20	257.80
	15	623	301	102.80	120.70	---	---	---	---	---	15	873	524	375	265.30	283.10
	20	836	404	120.30	139.20	---	---	---	---	---	20	1086	652	467	282.70	301.60
070	10	398	191	96.90	114.40	---	---	---	---	---	10	548	329	236	251.60	269.00
	15	727	351	117.20	135.60	---	---	---	---	---	15	977	586	420	279.60	298.00
	20	976	471	138.10	158.00	---	---	---	---	---	20	1226	736	527	300.60	320.50
080	10	454	218	103.80	122.30	---	---	---	---	---	10	604	362	260	258.40	276.90
	15	830	401	126.30	146.20	---	---	---	---	---	15	1080	648	464	288.70	308.60
	20	1115	538	149.70	171.10	---	---	---	---	---	20	1365	819	587	312.10	333.50
090	10	511	245	110.30	130.20	---	---	---	---	---	10	811	487	349	323.40	343.30
	15	934	451	134.80	155.80	---	---	---	---	---	15	1434	860	617	363.50	384.50
	20	1255	606	160.40	183.30	---	---	---	---	---	20	1755	1053	755	389.10	412.00
100	10	568	273	119.20	139.80	---	---	---	---	---	10	868	521	373	332.20	352.90
	15	1038	502	147.10	169.20	---	---	---	---	---	15	1538	923	661	375.80	397.80
	20	1394	673	176.60	200.30	---	---	---	---	---	20	1894	1136	814	405.20	429.00
110	10	625	300	125.50	147.00	---	---	---	---	---	10	925	555	398	338.50	360.10
	15	1142	552	155.60	178.80	---	---	---	---	---	15	1642	985	706	384.20	407.50
	20	1533	740	187.80	212.70	---	---	---	---	---	20	2033	1220	874	416.40	441.40
120	10	682	327	134.10	156.50	---	---	---	---	---	10	982	589	422	347.10	369.60
	15	1246	602	167.10	191.30	---	---	---	---	---	15	1746	1048	751	395.80	420.00
	20	1673	808	201.90	228.20	---	---	---	---	---	20	2173	1304	934	430.60	456.90
140	10	795	382	146.70	171.40	---	---	---	---	---	10	1095	657	471	359.70	384.50
	15	1453	702	184.40	211.00	---	---	---	---	---	15	1953	1172	840	413.00	439.70
	20	1952	943	236.60	265.60	---	---	---	---	---	20	2452	1471	1054	465.20	494.20
160	10	909	437	174.20	203.40	---	---	---	---	---	10	1509	905	649	504.20	533.40
	15	1661	803	220.20	251.90	---	---	---	---	---	15	2661	1597	1144	581.30	613.00
	20	2230	1077	282.10	316.20	---	---	---	---	---	20	3230	1938	1389	643.20	677.30
180	10	1022	491	189.30	221.50	---	---	---	---	---	10	1622	973	697	519.30	551.50
	15	1868	903	240.30	275.10	---	---	---	---	---	15	2868	1721	1233	601.40	636.20
	20	2509	1212	307.80	345.50	---	---	---	---	---	20	3509	2105	1509	669.00	706.60
200	10	1136	546	205.50	241.20	---	---	---	---	---	10	1736	1042	746	535.50	571.20
	15	2076	1003	274.70	313.10	---	---	---	---	---	15	3076	1846	1323	635.80	674.20
	20	2788	1346	334.30	375.80	---	---	---	---	---	20	3788	2273	1629	695.40	736.90
220	10	1250	600	240.00	282.50	---	---	---	---	---	10	1850	1110	796	570.00	612.50
	15	2284	1104	319.90	365.20	---	---	---	---	---	15	3284	1970	1412	681.10	726.30
	20	3067	1481	389.90	438.80	---	---	---	---	---	20	4067	2440	1749	751.00	799.90
240	10	1363	655	258.70	304.10	---	---	---	---	---	10	2263	1358	973	705.50	750.80
	15	2491	1204	344.30	393.00	---	---	---	---	---	15	3991	2395	1716	838.00	886.70
	20	3346	1616	420.20	472.40	---	---	---	---	---	20	4846	2908	2084	913.90	966.10
260	10	1477	709	274.50	322.60	---	---	---	---	---	10	2377	1426	1022	721.20	769.30
	15	2699	1304	365.80	417.40	---	---	---	---	---	15	4199	2519	1806	859.50	911.10
	20	3624	1750	447.40	502.80	---	---	---	---	---	20	5124	3074	2203	941.10	996.50
280	10	1590	764	290.00	340.80	---	---	---	---	---	10	2490	1494	1071	736.70	787.50
	15	2906	1404	386.80	441.10	---	---	---	---	---	15	4406	2644	1895	880.50	934.80
	20	3903	1885	474.00	532.60	---	---	---	---	---	20	5403	3242	2323	967.70	1026.30

EN442 output at 20°C room temperature

LINEA PLUS - H035

LINW.035 LLL TT.XXX

L	STANDARD					TWIN				
	Type	Watts 75/65	Watts 55/45	£ st. colour	£ other	Type	Watts 75/65	Watts 55/45	£ st. colour	£ other
050	10	393	190	88.40	106.60	11	549	260	137.20	155.30
	15	659	323	103.90	123.40	16	813	385	162.10	181.50
	20	901	441	119.90	140.80	21	1039	488	172.90	193.80
060	10	471	228	94.40	114.00	11	659	313	146.20	165.70
	15	790	387	112.20	133.10	16	975	461	174.60	195.50
	20	1081	529	130.30	152.80	21	1247	585	187.60	210.10
070	10	550	266	105.50	125.90	11	769	365	164.00	184.60
	15	922	451	126.90	148.90	16	1138	538	199.20	221.30
	20	1261	617	148.70	172.50	21	1455	683	215.70	239.40
080	10	628	304	113.00	135.10	11	878	416	175.20	197.30
	15	1054	516	136.70	160.50	16	1300	615	214.30	238.10
	20	1441	705	161.10	186.70	21	1662	780	233.50	259.00
090	10	707	342	120.30	144.00	11	988	469	185.80	209.50
	15	1185	580	146.10	171.40	16	1463	692	228.40	253.80
	20	1621	793	172.70	200.10	21	1870	878	249.50	276.90
100	10	785	380	129.30	153.90	11	1098	521	200.50	225.10
	15	1317	645	158.70	185.00	16	1625	769	249.20	275.50
	20	1801	881	188.70	217.20	21	2078	975	274.10	302.50
110	10	864	419	136.00	161.70	11	1208	573	210.70	236.50
	15	1449	709	167.60	195.30	16	1788	846	263.50	291.10
	20	1981	969	200.40	230.50	21	2286	1073	291.00	321.10
120	10	942	456	146.40	173.70	11	1318	625	225.80	252.90
	15	1580	774	181.30	210.50	16	1950	923	283.30	312.50
	20	2161	1058	217.00	248.70	21	2494	1170	313.90	345.60
140	10	1099	532	160.10	190.10	11	1537	729	246.00	276.10
	15	1844	903	199.70	231.80	16	2275	1076	311.90	344.00
	20	2521	1234	252.90	287.60	21	2909	1365	367.50	402.30
160	10	1256	608	189.50	224.90	11	1757	833	290.00	325.50
	15	2107	1032	237.50	275.50	16	2600	1230	370.30	408.30
	20	2882	1410	300.10	341.10	21	3325	1560	435.80	476.80
180	10	1413	684	205.70	244.70	11	1976	937	313.50	352.70
	15	2371	1161	258.70	300.50	16	2925	1384	402.70	444.60
	20	3242	1587	327.20	372.10	21	3740	1755	474.00	519.00
200	10	1570	760	223.20	266.20	11	2196	1042	338.40	381.50
	15	2634	1290	294.30	340.30	16	3250	1538	459.50	505.60
	20	3602	1763	354.90	404.40	21	4156	1950	513.20	562.60
220	10	1727	837	259.00	309.60	11	2416	1146	391.10	441.60
	15	2897	1418	340.90	394.60	16	3575	1691	531.30	585.10
	20	3962	1939	412.00	469.50	21	4572	2146	594.50	652.10
240	10	1884	913	280.00	334.30	11	2635	1250	421.00	475.30
	15	3161	1548	368.00	425.60	16	3900	1845	571.70	629.40
	20	4322	2115	445.10	506.80	21	4987	2340	641.10	702.70
260	10	2041	989	297.40	354.90	11	2855	1354	447.00	504.60
	15	3424	1676	390.90	452.20	16	4225	1999	607.00	668.30
	20	4683	2292	473.80	539.30	21	5403	2536	682.20	747.70
280	10	2198	1065	313.90	374.50	11	3074	1458	472.00	532.60
	15	3688	1806	412.90	477.40	16	4550	2153	641.10	705.70
	20	5043	2468	501.40	570.50	21	5818	2730	722.40	791.40

LINW.035 LLL TT.XXX/DBE

WITH DBE					
Type	Watts 75/65	Watts 55/45	Watts 45/38	£ st. colour	£ other
---	---	---	---	---	---
---	---	---	---	---	---
---	---	---	---	---	---
11	959	575	412	300.80	320.40
16	1455	873	626	337.10	357.90
21	1727	1036	743	350.00	372.60
11	1069	641	460	318.60	339.20
16	1618	971	696	361.70	383.70
21	1935	1161	832	378.10	401.80
11	1178	707	507	329.80	351.90
16	1780	1068	765	376.70	400.50
21	2142	1285	921	395.90	421.50
11	1588	953	683	398.80	422.50
16	2423	1454	1042	457.10	482.50
21	2830	1698	1217	478.20	505.60
11	1698	1019	730	413.60	438.20
16	2585	1551	1112	477.90	504.20
21	3038	1823	1306	502.80	531.10
11	1808	1085	777	423.70	449.50
16	2748	1649	1182	492.20	519.80
21	3246	1948	1396	519.70	549.80
11	1918	1151	825	438.80	466.00
16	2910	1746	1251	512.00	541.20
21	3454	2072	1485	542.60	574.30
11	2137	1282	919	459.00	489.10
16	3235	1941	1391	540.60	572.70
21	3869	2321	1664	596.20	631.00
11	2957	1774	1272	620.00	655.50
16	4520	2712	1944	731.50	769.40
21	5245	3147	2255	796.90	837.90
11	3176	1906	1366	643.50	682.70
16	4845	2907	2083	763.90	805.70
21	5660	3396	2434	835.10	880.10
11	3396	2038	1460	668.40	711.40
16	5170	3102	2223	820.60	866.70
21	6076	3646	2613	874.30	923.70
11	3616	2170	1555	721.10	771.60
16	5495	3297	2363	892.40	946.20
21	6492	3895	2792	955.60	1013.20
11	4435	2661	1907	867.80	922.00
16	6780	4068	2915	1065.40	1123.10
21	7867	4720	3383	1134.80	1196.40
11	4655	2793	2002	893.80	951.30
16	7105	4263	3055	1100.70	1162.00
21	8283	4970	3562	1175.90	1241.40
11	4874	2924	2096	918.70	979.40
16	7430	4458	3195	1134.80	1199.40
21	8698	5219	3740	1216.10	1285.10

EN442 output at 20°C room temperature

H 050 - LINEA PLUS



LINW.050 LLL TT.XXX

LINW.050 LLL TT.XXX/DBE

L	STANDARD					TWIN				
	Type	Watts 75/65	Watts 55/45	£ st. colour	£ other	Type	Watts 75/65	Watts 55/45	£ st. colour	£ other
050	10	482	236	95.60	116.30	11	655	311	144.20	164.90
	15	767	381	112.10	134.50	16	976	462	170.30	192.70
	20	1060	526	129.40	153.30	21	1282	600	182.30	206.30
060	10	578	282	102.10	124.40	11	785	373	153.70	176.00
	15	920	456	120.90	144.90	16	1171	555	183.30	207.30
	20	1272	631	140.20	166.00	21	1538	720	197.50	223.30
070	10	675	330	113.70	137.30	11	916	436	172.10	195.60
	15	1073	532	136.20	161.50	16	1366	647	208.70	234.00
	20	1484	736	159.30	186.60	21	1795	840	226.30	253.50
080	10	771	377	121.90	147.30	11	1047	498	183.90	209.50
	15	1226	608	146.80	174.30	16	1561	739	224.40	251.90
	20	1696	841	172.30	201.70	21	2051	960	244.70	274.10
090	10	868	424	129.70	157.30	11	1178	560	195.00	222.50
	15	1380	685	156.50	185.90	16	1756	832	238.90	268.20
	20	1908	946	184.40	216.00	21	2308	1080	261.20	292.90
100	10	964	471	139.10	167.50	11	1309	623	210.30	238.60
	15	1533	761	169.50	200.00	16	1951	924	260.10	290.60
	20	2120	1051	200.80	233.70	21	2564	1200	286.10	319.00
110	10	1060	518	146.40	176.60	11	1440	685	221.00	251.00
	15	1686	837	179.20	211.40	16	2146	1016	275.10	307.20
	20	2332	1156	213.30	247.90	21	2820	1320	303.90	338.50
120	10	1157	565	158.60	190.20	11	1571	747	237.60	269.30
	15	1840	913	194.60	228.60	16	2341	1109	296.70	330.60
	20	2544	1262	232.00	268.60	21	3077	1440	328.80	365.50
140	10	1350	660	173.40	208.50	11	1833	872	259.20	294.30
	15	2146	1065	214.30	251.90	16	2731	1293	326.50	364.00
	20	2968	1472	269.10	309.40	21	3590	1680	383.70	424.00
160	10	1542	753	204.70	246.20	11	2094	996	305.00	346.50
	15	2453	1217	254.00	298.40	16	3122	1479	386.90	431.20
	20	3392	1682	318.20	365.70	21	4102	1920	454.00	501.40
180	10	1735	848	222.20	267.90	11	2356	1120	329.90	375.60
	15	2759	1369	276.40	325.10	16	3512	1663	420.40	469.20
	20	3816	1892	346.50	398.70	21	4615	2160	493.30	545.40
200	10	1928	942	241.10	291.50	11	2618	1245	356.10	406.40
	15	3066	1521	313.40	367.10	16	3902	1848	478.60	532.20
	20	4240	2103	375.50	432.90	21	5128	2400	533.80	591.20
220	10	2121	1036	278.00	336.40	11	2880	1370	409.80	468.20
	15	3373	1674	361.10	423.00	16	4292	2033	551.60	613.40
	20	4664	2313	433.80	499.70	21	5641	2641	616.30	682.20
240	10	2314	1131	301.30	364.10	11	3142	1494	442.10	504.90
	15	3679	1825	390.80	457.30	16	4682	2218	594.50	661.00
	20	5088	2523	469.90	540.60	21	6154	2881	666.00	736.60
260	10	2506	1224	319.80	386.50	11	3403	1618	469.20	535.90
	15	3986	1978	414.90	485.70	16	5073	2403	631.10	701.80
	20	5512	2733	499.70	574.80	21	6666	3120	708.10	783.30
280	10	2699	1319	337.90	408.60	11	3665	1743	495.60	566.40
	15	4292	2130	438.30	513.20	16	5463	2587	666.60	741.50
	20	5936	2944	528.90	608.50	21	7179	3360	749.90	829.50

WITH DBE					
Type	Watts 75/65	Watts 55/45	Watts 45/38	£ st. colour	£ other
---	---	---	---	---	---
---	---	---	---	---	---
---	---	---	---	---	---
11	1085	651	467	308.30	330.60
16	1651	991	710	345.70	369.70
21	2018	1211	868	359.90	385.70
11	1216	730	523	326.70	350.20
16	1846	1108	794	371.10	396.40
21	2275	1365	978	388.70	415.90
11	1347	808	579	338.50	364.10
16	2041	1225	878	386.80	414.30
21	2531	1519	1088	407.10	436.60
11	1778	1067	765	408.00	435.50
16	2716	1630	1168	467.60	496.90
21	3268	1961	1405	489.80	521.50
11	1909	1145	821	423.30	451.60
16	2911	1747	1252	488.80	519.30
21	3524	2114	1515	514.80	547.60
11	2040	1224	877	434.00	464.10
16	3106	1864	1336	503.80	535.90
21	3780	2268	1625	532.50	567.20
11	2171	1303	934	450.70	482.40
16	3301	1981	1419	525.40	559.30
21	4037	2422	1736	557.50	594.20
11	2433	1460	1046	472.20	507.30
16	3691	2215	1587	555.10	592.70
21	4550	2730	1957	612.40	652.70
11	3294	1976	1416	634.90	676.50
16	5042	3025	2168	748.00	792.30
21	6022	3613	2589	815.10	862.50
11	3556	2134	1529	659.90	705.60
16	5432	3259	2336	781.50	830.30
21	6535	3921	2810	854.40	906.50
11	3818	2291	1642	686.10	736.40
16	5822	3493	2503	839.70	893.30
21	7048	4229	3031	894.90	952.30
11	4080	2448	1754	739.80	798.20
16	6212	3727	2671	912.70	974.60
21	7561	4537	3251	977.40	1043.40
11	4942	2965	2125	888.80	951.70
16	7562	4537	3252	1088.20	1154.70
21	9034	5420	3885	1159.70	1230.30
11	5203	3122	2237	915.90	982.60
16	7953	4772	3420	1124.80	1195.50
21	9546	5728	4105	1201.80	1277.00
11	5465	3279	2350	942.30	1013.10
16	8343	5006	3587	1160.30	1235.20
21	10059	6035	4325	1243.60	1323.20

EN442 output at 20°C room temperature

LINEA PLUS - H065

LINW.065 LLL TT.XXX

L	STANDARD					TWIN				
	Type	Watts 75/65	Watts 55/45	£ st. colour	£ other	Type	Watts 75/65	Watts 55/45	£ st. colour	£ other
050	10	561	277	103.00	126.30	11	742	354	151.60	174.90
	15	858	432	120.40	145.50	16	1114	528	178.90	203.90
	20	1196	601	139.10	166.10	21	1503	702	192.00	218.90
060	10	673	332	110.30	135.70	11	890	424	161.90	187.30
	15	1029	518	130.10	157.40	16	1336	634	192.80	220.10
	20	1435	721	150.80	180.00	21	1803	842	208.00	237.20
070	10	785	387	122.40	149.30	11	1038	495	180.90	207.80
	15	1201	604	145.80	174.60	16	1559	740	218.60	247.40
	20	1674	841	170.20	201.20	21	2104	983	237.30	268.20
080	10	897	442	131.50	160.70	11	1186	565	193.50	222.70
	15	1372	690	157.30	188.50	16	1782	845	235.10	266.30
	20	1913	961	184.00	217.60	21	2404	1123	256.40	289.90
090	10	1009	497	140.00	171.40	11	1335	637	205.10	236.60
	15	1544	777	167.60	201.20	16	2004	951	250.30	283.80
	20	2152	1081	196.70	232.70	21	2705	1264	273.70	309.70
100	10	1121	553	149.30	181.70	11	1483	707	220.30	252.80
	15	1715	863	180.50	215.30	16	2227	1056	271.50	306.10
	20	2391	1201	213.30	250.60	21	3005	1404	298.60	335.90
110	10	1233	608	157.30	191.50	11	1631	778	231.80	266.00
	15	1887	949	190.90	227.60	16	2450	1162	287.10	323.80
	20	2630	1321	226.30	265.70	21	3306	1544	316.80	356.20
120	10	1345	663	171.50	208.00	11	1780	849	250.60	287.10
	15	2058	1035	208.50	247.60	16	2672	1267	311.00	350.20
	20	2869	1441	247.90	289.80	21	3606	1685	344.80	386.70
140	10	1569	773	187.00	227.30	11	2076	990	272.90	313.10
	15	2401	1208	229.00	271.80	16	3118	1479	341.70	384.60
	20	3347	1681	285.60	331.60	21	4207	1965	400.20	446.20
160	10	1794	884	220.40	268.20	11	2373	1131	320.80	368.50
	15	2744	1380	270.70	321.50	16	3563	1690	403.90	454.80
	20	3826	1922	336.70	390.90	21	4808	2246	472.40	526.50
180	10	2018	995	239.10	291.70	11	2669	1273	347.00	399.40
	15	3087	1553	294.50	350.30	16	4009	1902	438.90	494.70
	20	4304	2162	366.30	425.90	21	5409	2527	513.10	572.70
200	10	2242	1105	259.30	317.30	11	2966	1414	374.30	432.20
	15	3430	1725	332.70	394.00	16	4454	2113	498.30	559.70
	20	4782	2402	396.60	462.00	21	6010	2808	555.00	620.30
220	10	2466	1215	297.80	364.30	11	3263	1556	429.50	495.90
	15	3773	1898	381.70	452.10	16	4899	2324	572.70	643.00
	20	5260	2642	456.20	530.80	21	6611	3088	638.80	713.40
240	10	2690	1326	323.50	394.90	11	3559	1697	464.10	535.50
	15	4116	2071	414.00	489.50	16	5345	2535	618.10	693.70
	20	5738	2882	495.20	575.20	21	7212	3369	691.20	771.30
260	10	2915	1437	343.10	419.10	11	3856	1838	492.40	568.50
	15	4459	2243	439.30	519.70	16	5790	2746	656.00	736.40
	20	6217	3123	526.20	611.30	21	7813	3650	734.80	819.90
280	10	3139	1547	362.30	442.90	11	4152	1980	520.00	600.60
	15	4802	2416	464.00	548.90	16	6236	2958	692.80	777.80
	20	6695	3363	556.70	646.80	21	8414	3931	777.70	867.70

LINW.065 LLL TT.XXX/DBE

WITH DBE					
Type	Watts 75/65	Watts 55/45	Watts 45/38	£ st. colour	£ other
---	---	---	---	---	---
---	---	---	---	---	---
---	---	---	---	---	---
11	1190	714	512	316.50	341.90
16	1816	1090	781	355.20	382.50
21	2283	1370	982	370.40	399.60
11	1338	803	575	335.60	362.40
16	2039	1223	877	381.00	409.80
21	2584	1550	1111	399.80	430.70
11	1486	892	639	348.10	377.30
16	2262	1357	973	397.50	428.70
21	2884	1730	1240	418.80	452.30
11	1935	1161	832	418.20	449.60
16	2964	1778	1275	478.90	512.40
21	3665	2199	1576	502.40	538.30
11	2083	1250	896	433.40	465.90
16	3187	1912	1370	500.10	534.80
21	3965	2379	1705	527.30	564.50
11	2231	1339	959	444.80	479.00
16	3410	2046	1466	515.70	552.40
21	4266	2560	1834	545.50	584.90
11	2380	1428	1023	463.60	500.10
16	3632	2179	1562	539.70	578.90
21	4566	2740	1963	573.40	615.40
11	2676	1606	1151	485.90	526.10
16	4078	2447	1754	570.30	613.20
21	5167	3100	2222	628.80	674.80
11	3573	2144	1536	650.80	698.50
16	5483	3290	2358	765.10	815.90
21	6728	4037	2893	833.50	887.70
11	3869	2321	1664	677.00	729.40
16	5929	3557	2549	800.00	855.80
21	7329	4397	3151	874.20	933.80
11	4166	2500	1791	704.30	762.20
16	6374	3824	2741	859.40	920.80
21	7930	4758	3410	916.10	981.40
11	4463	2678	1919	759.50	825.90
16	6819	4091	2932	933.80	1004.10
21	8531	5119	3668	999.90	1074.50
11	5359	3215	2304	910.80	982.30
16	8225	4935	3537	1111.80	1187.40
21	10092	6055	4340	1184.90	1265.00
11	5656	3394	2432	939.10	1015.20
16	8670	5202	3728	1149.70	1230.10
21	10693	6416	4598	1228.50	1313.60
11	5952	3571	2559	966.70	1047.30
16	9116	5470	3920	1186.50	1271.50
21	11294	6776	4856	1271.40	1361.40

EN442 output at 20°C room temperature

H095 - LINEA PLUS



LINW.095 LLL TT.XXX

LINW.095 LLL TT.XXX/DBE

L	STANDARD					TWIN					WITH DBE					
	Type	Watts 75/65	Watts 55/45	£ st. colour	£ other	Type	Watts 75/65	Watts 55/45	£ st. colour	£ other	Type	Watts 75/65	Watts 55/45	Watts 45/38	£ st. colour	£ other
050	---	---	---	---	---	---	---	---	---	---	---	---	---	---	---	---
	---	---	---	---	---	---	---	---	---	---	---	---	---	---	---	---
	---	---	---	---	---	---	---	---	---	---	---	---	---	---	---	---
060	10	838	420	123.50	154.40	11	1055	505	175.40	206.30	11	1355	813	583	330.00	360.90
	15	1210	625	145.40	178.70	16	1608	765	208.10	241.40	16	2088	1253	898	370.50	403.80
	20	1706	880	166.00	201.10	21	2290	1065	223.30	258.40	21	2770	1662	1191	385.70	420.80
070	10	977	490	136.30	169.00	11	1231	590	195.10	227.60	11	1531	919	658	349.70	382.20
	15	1411	729	161.90	196.90	16	1876	892	234.50	269.60	16	2356	1414	1013	397.00	432.10
	20	1991	1027	186.10	223.30	21	2671	1242	253.20	290.40	21	3151	1891	1355	415.60	452.80
080	10	1117	560	147.00	182.90	11	1406	673	209.40	245.20	11	1706	1024	734	364.00	399.90
	15	1613	833	174.90	213.50	16	2144	1020	252.70	291.40	16	2624	1574	1128	415.20	453.80
	20	2275	1173	201.60	242.40	21	3053	1420	273.90	314.60	21	3533	2120	1519	436.30	477.00
090	10	1256	630	156.40	195.00	11	1582	758	222.00	260.40	11	2182	1309	938	435.10	473.50
	15	1814	937	186.30	227.40	16	2412	1147	269.00	310.00	16	3372	2023	1450	497.70	538.60
	20	2560	1320	215.20	258.80	21	3434	1597	292.10	335.80	21	4394	2636	1889	520.80	564.40
100	10	1396	700	168.70	209.80	11	1758	842	240.10	281.20	11	2358	1415	1014	453.10	494.20
	15	2016	1041	202.10	245.90	16	2680	1275	293.00	336.70	16	3640	2184	1565	521.60	565.40
	20	2844	1467	234.70	281.00	21	3816	1774	320.00	366.30	21	4776	2866	2054	548.70	594.90
110	10	1536	771	178.50	222.10	11	1934	926	253.30	296.90	11	2534	1520	1090	466.30	510.00
	15	2218	1146	214.20	260.90	16	2948	1402	310.40	357.00	16	3908	2345	1680	539.10	585.60
	20	3128	1613	249.40	298.70	21	4198	1952	340.00	389.40	21	5158	3095	2218	568.70	618.00
120	10	1675	840	194.60	241.00	11	2110	1011	274.20	320.50	11	2710	1626	1165	487.30	533.50
	15	2419	1250	234.40	283.90	16	3216	1529	336.90	386.40	16	4176	2506	1796	565.60	615.00
	20	3413	1760	273.50	325.70	21	4579	2129	370.40	422.50	21	5539	3323	2382	599.10	651.20
140	10	1954	980	213.40	264.90	11	2461	1179	299.60	351.10	11	3061	1837	1316	512.60	564.10
	15	2822	1458	257.90	312.80	16	3752	1784	370.60	425.50	16	4712	2827	2026	599.30	654.20
	20	3982	2054	314.40	372.30	21	5342	2484	429.10	487.00	21	6302	3781	2710	657.70	715.60

EN442 output at 20°C room temperature

Jaga Heating Products (UK) Ltd
Orchard Business Park
Bromyard Road
Ledbury, Herefordshire HR8 1LG

Tel.: +44 1531 631 533
Fax: +44 1531 631 534
E-mail: jaga@jaga.co.uk
www.jaga.co.uk

Jaga International
Verbindingslaan z/n
B-3590 Diepenbeek

Tel.: +32 11 29 41 16
Fax: +32 11 29 41 60
E-mail: export@jaga.be

WWW.
THE RADIATOR FACTORY
.COM

WWW.JAGAEXPERIENCELAB.COM

your partner: