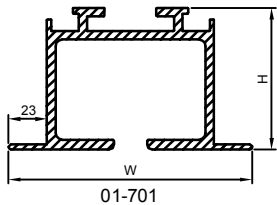
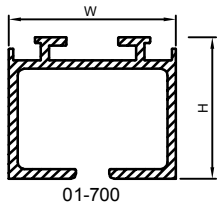
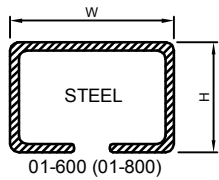
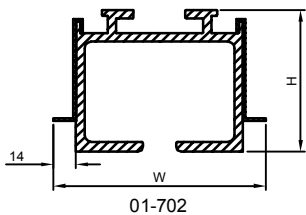


CEILING TRACK AND SOME EXAMPLES OF TRACK FIXINGS - TYPE 100

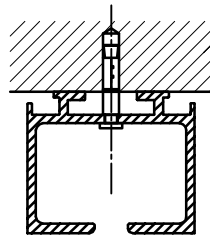
TYPE	H	W	MATERIAL
01-600	66	98	STEEL
01-700	85	100	ALUMINIUM
01-701	85	146	ALUMINIUM
01-702	85	128	ALUMINIUM
01-800	80	140	STEEL



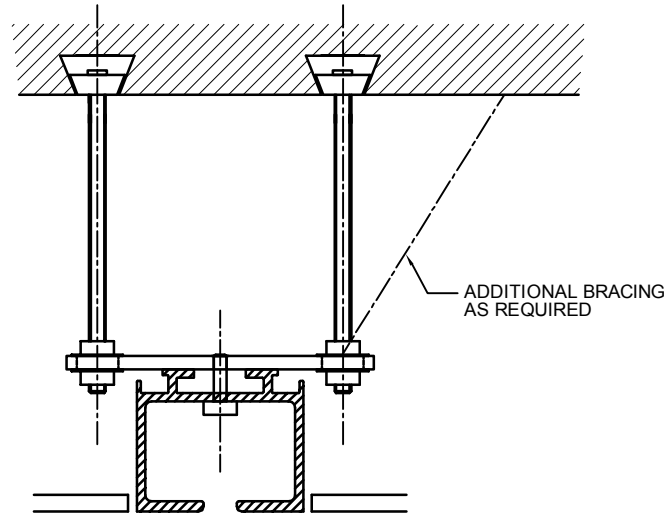
CEILING SUPPORT FLANGE ANGLE 'A'



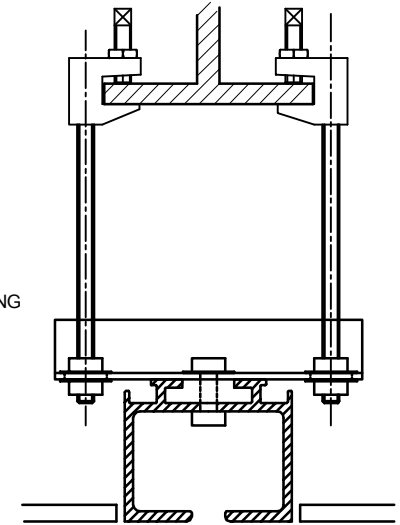
CEILING SUPPORT ANGLE 'B'



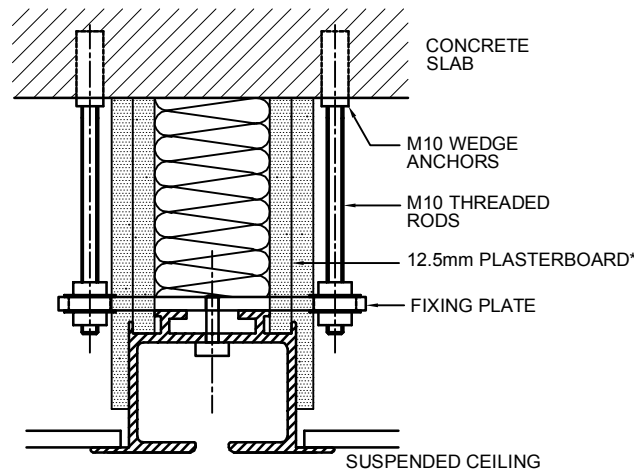
1. Fixed to solid Concrete Soffit



2. Fixed to structural Steel Tray

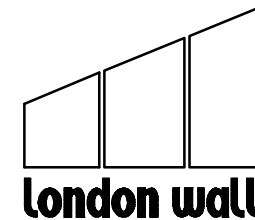


3. Fixed to Steel Beam using 'Lindapter Clamps'



*FOR HIGH LEVELS OF SOUND REDUCTION 2 DOUBLE SKIN OF PLASTERBOARD REQUIRED

4. Ceiling Void Baffle



London Wall Design Ltd

63 Barwell Business Park

Leatherhead Road

Chessington, Surrey KT9 2NY

Tel : +44 (0) 20 8391 8750

Fax : + 44 (0) 20 8391 8751

E-Mail : Sales@londonwall.co.uk

DRG. NO.: SL - 102