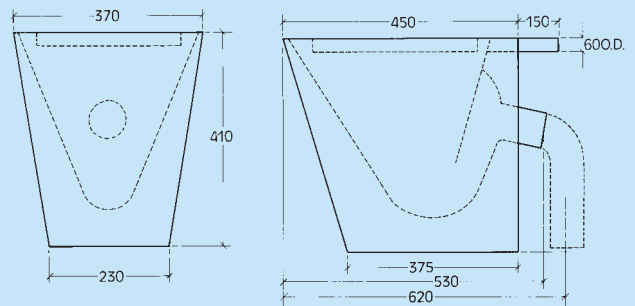


Sanitary Ware



(All measurements in millimetres)



Olympic Anti Vandal W.C. Pan Manufactured entirely in 304 quality stainless steel this W.C. pan is designed for use with a hidden cistern. It is supplied in one piece complete with a 16swg integral undershield which encases all pipework, trap and fixings making the W.C. pan easy to clean, hygienic and resistant to vandalism.

Cistern The cistern should be mounted behind a wall panel to facilitate the vandal resistance of this unit. The flush pipe should be 38mm o/s diameter.

Cistern Height The minimum fixing height is 410mm from the underside of the cistern to the top of the W.C. pan.

Trap W.C. terminates in 100mm 'P' trap or 'S' trap.

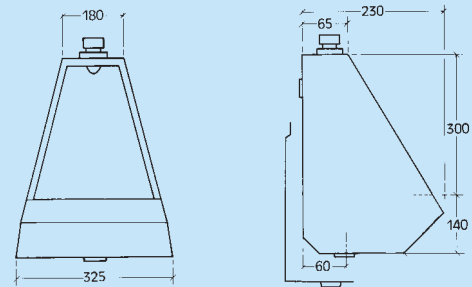
Seat Supplied complete with toughened plastic seat pads screwed and glued.

Fixing By rawlbolt or similar to the floor slab.

Model No.s Shrouded with P trap SWCP
Shrouded with S trap SWCS



(All measurements in millimetres)



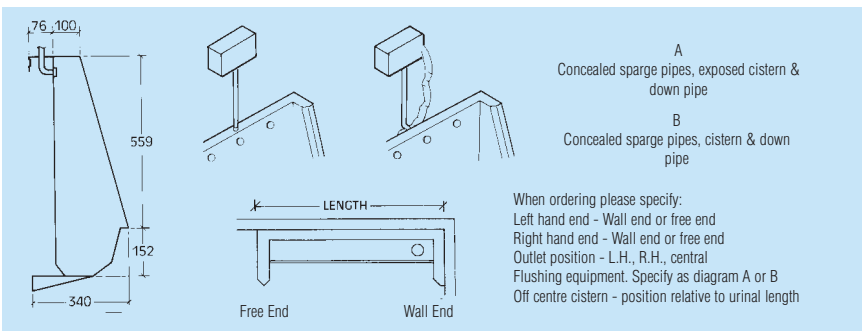
Olympic Wall Mounted Urinal Manufactured entirely in 18swg 304 stainless steel the pod urinal is supplied with a heart shaped C.P. spreader to give an efficient flushing action and is ideally suited to school toilets and areas where pipework is required to be readily accessible. the urinal is neat in appearance and easily cleaned, it

can be mounted straight onto an already tiled surface and therefore facilitates an extremely hygienic installation.

Waste The urinal is supplied with a 32mm (1 1/4") C.P. waste outlet.

Inlet Top entry 15mm C.P. compression fitting attached to the spreader.

Fixing & Security A one piece wall mounted bracket secured underneath the unit by the waste pipe back nut.



Olympic Wall Hung Trough Urinal Fabricated entirely in 16swg 304 stainless steel. This unit is mounted clear of the floor enabling the user to stand closer to the trough with his feet beneath it, thus making it a cleaner and more hygienic installation. A stainless steel undershield can be supplied which encloses pipework and trap and improves the anti vandal qualities of this unit. The undershield is also easily removable for maintenance purposes.

Waste The unit can be prepared for any stated waste size up to 2" BSP.

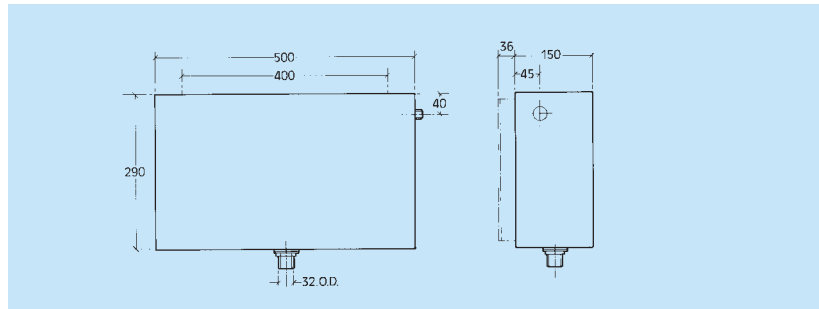
Fixing and Security Joggled strips are supplied together with base fixing brackets, when an undershield is supplied all are concealed.

Size Length tailored to suit client requirements with a wall or free standing end.

Sparge Pipe and Spargers All units are supplied with standard 22mm downpipe 15mm sparge pipes and C.P. back inlet spargers.

Special Features To accommodate the need to install this urinal in inaccessible toilets it can be supplied in sections, each section to be bolted neatly to the next, each section having its own waste outlet which discharges into a common waste underneath. Because no sealing is required between each section there are no leaks and installation is as simple as fixing single units. Alternatively, a site visit can be quoted to weld the sections.

Sanitary Ware



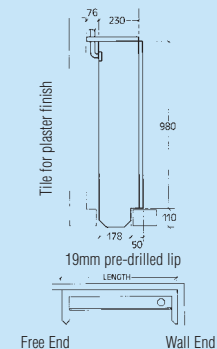
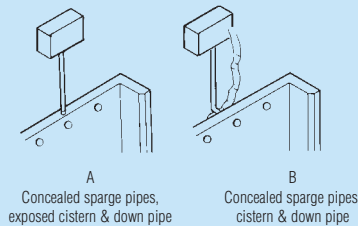
Olympic Stainless Steel Cisterns
Manufactured from 16swg 304 grade stainless steel with all exposed surface polished to a satin finish.

Available in 9 and 13 litre capacity, high or low level, self flushing or manual. Supplied with all necessary internal plastic fittings.



(All measurements in millimetres)

When ordering please specify:
Left hand end - Wall end or free end Right hand end - Wall end or free end
Outlet position - L.H., R.H., central Flushing equipment. Specify as diagram A or B
Off centre cistern - position relative to urinal length



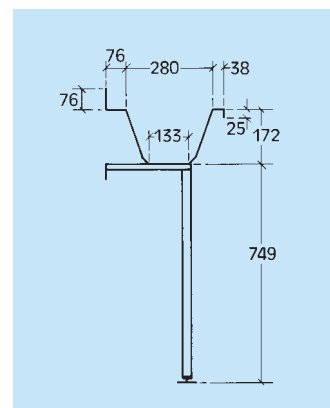
Olympic Slab Urinal (Floor Recessed Type)
Fabricated entirely from 16swg 304 s/s, the unit is designed to be virtually vandal proof. It incorporates a 50mm tiling lip which enables the floor to be washed and flushed straight down the trough, thus making this unit easily cleaned and extremely hygienic.

Waste All units can be prepared for any waste size up to and including 2 1/2" BSP.
Fixing and Security A 19mm wide pre-drilled lip is incorporated wherever the unit abuts walls which is then concealed under tile or plaster finishes.
Size Available in any size or shape tailored to suit requirements with wall or free standing ends.

Sparge Pipes and Spreaders All units are supplied with standard 22mm downpipes, 15mm sparge pipes and C.P. back inlet spreaders or alternatively exposed sparge pipe.
Concealed Cistern and Downpipe To improve the anti vandal qualities of this unit, it is recommended that the cistern and downpipe be concealed behind wall or false panel.



(All measurements in millimetres)



Olympic Washing Troughs Manufactured from 16swg 304 grade stainless steel with all exposed surfaces polished to a sateen finish. Supplied with stainless steel wall fixing brackets and C.P. waste outlet, diameter and position to suit client. Any required length up to 4800mm. Tap

holes as required. Stainless steel support legs with adjustable feet are available as extra, recommended for use on tap landing types, long splash backs and in heavy use areas. Island and multiple units, support frames also manufactured to suit client.

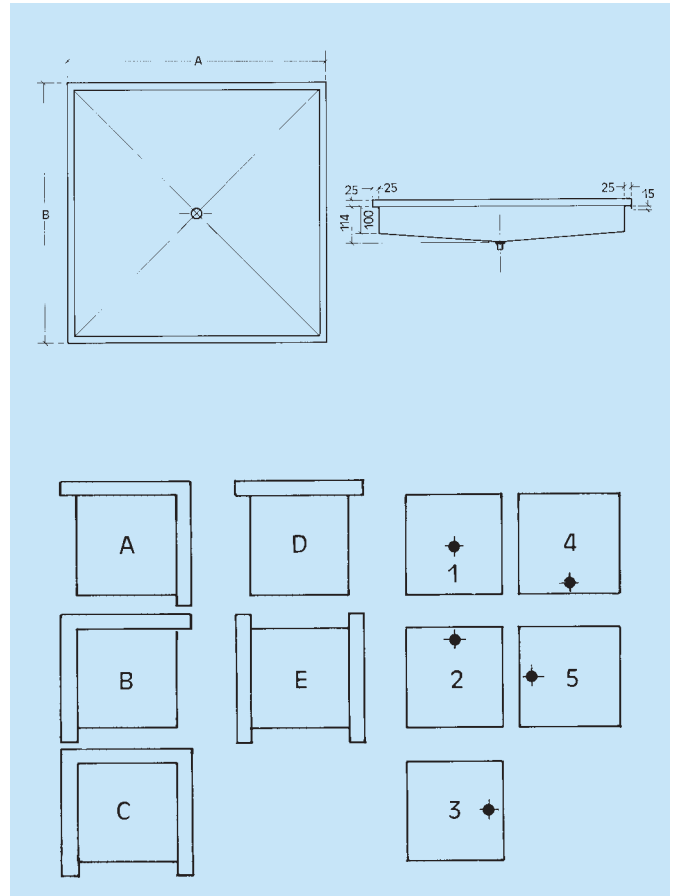
Sanitary Ware



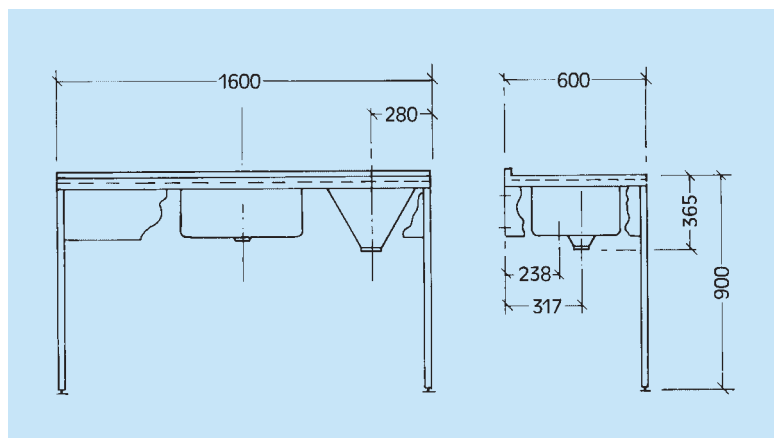
Olympic Shower Trays

Manufactured from 16swg 304 grade stainless steel with all exposed surfaces polished to a sateen finish. Supplied with 38mm flush fitted grated waste outlet in position to suit client. The underside is treated with sound deadening material. Sizes manufactured to suit client. Stainless steel front valance also supplied as extra.

When ordering, specify required combination of open and wall sides by reference A,B,D,C,E, and required waste position 1,2,3,4,5.



Hospital Equipment



Olympic Hospital Disposal Unit with Sink

Combined slop hopper, sink & drainer available with hopper at left or right hand side.

Disposal Unit Assembly Comprising:
Slop Hopper with sink in stainless steel. Hopper flanged or unflanged to suit clients requirements.

Can be supplied with stainless steel 'P' or 'S' strap.
Sink fitted with 1½" unslotted strainer waste.

Unit illustrated can be supplied to accept concealed or exposed cistern.