



## Sanitary & Hospital Equipment



## Introduction

With 40 years experience, M&G Olympic Products has maintained its position as a leading specialist in the design, manufacture and installation of custom built architectural metalwork including:

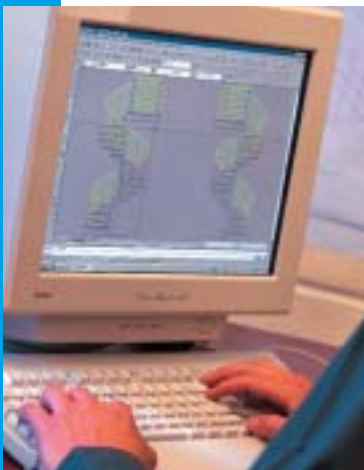
- Staircases, Balustrades & Handrails
- Catering & Purpose-made Fabrications
- Sanitary & Hospital Equipment
- Swimming Pool Equipment

All products are manufactured at our two-factory site in the centre of Sheffield which is constantly enhanced with investment in the latest state-of-the-art design and production equipment. We address quality at all stages with frequent monitoring to guarantee that we provide our customers with high quality products that will not be found wanting.

Our design team are happy to work with customers during the early stages of a project to undertake site surveys and produce design solutions to any stainless steel fabrication requirement. Over the years, M & G Olympic Products has built up an excellent working relationship with other manufacturers of architectural products to provide customers with complete turnkey solutions.

This brochure explains our core competences in the manufacture of sanitary and hospital equipment; it shows examples of our work and how we always work to exceed our customers' expectations.

For further details on these or any other products in our portfolio, please contact our sales office on 0114 275 6009, or log onto our website: [www.mgolympics.co.uk](http://www.mgolympics.co.uk).



*Design solutions to any specification.*



*State-of-the-art production technology.*



*Olympic wall-hung trough urinal complete with vandal resistant undershield.*

## Sanitary Ware



Stainless steel wall-hung trough urinal complete with anti-vandal undershield and stainless steel boxing to services.

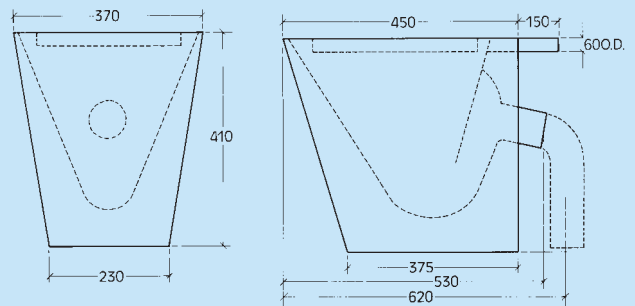


Olympic anti-vandal stainless steel WC pan. Stainless steel clad cubicles.

## Sanitary Ware



(All measurements in millimetres)



**Olympic Anti Vandal W.C. Pan** Manufactured entirely in 304 quality stainless steel this W.C. pan is designed for use with a hidden cistern. It is supplied in one piece complete with a 16swg integral undershield which encases all pipework, trap and fixings making the W.C. pan easy to clean, hygienic and resistant to vandalism.

**Cistern** The cistern should be mounted behind a wall panel to facilitate the vandal resistance of this unit. The flush pipe should be 38mm o/s diameter.

**Cistern Height** The minimum fixing height is 410mm from the underside of the cistern to the top of the W.C. pan.

**Trap** W.C. terminates in 100mm 'P' trap or 'S' trap.

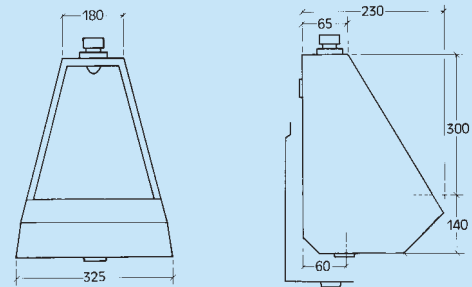
**Seat** Supplied complete with toughened plastic seat pads screwed and glued.

**Fixing** By rawlbolt or similar to the floor slab.

**Model No.s** Shrouded with P trap SWCP  
Shrouded with S trap SWCS



(All measurements in millimetres)



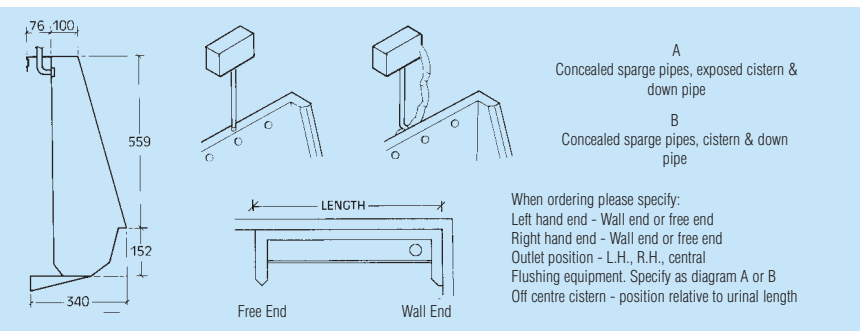
**Olympic Wall Mounted Urinal** Manufactured entirely in 18swg 304 stainless steel the pod urinal is supplied with a heart shaped C.P. spreader to give an efficient flushing action and is ideally suited to school toilets and areas where pipework is required to be readily accessible. the urinal is neat in appearance and easily cleaned, it

can be mounted straight onto an already tiled surface and therefore facilitates an extremely hygienic installation.

**Waste** The urinal is supplied with a 32mm (1 1/4") C.P. waste outlet.

**Inlet** Top entry 15mm C.P. compression fitting attached to the spreader.

**Fixing & Security** A one piece wall mounted bracket secured underneath the unit by the waste pipe back nut.



**Olympic Wall Hung Trough Urinal** Fabricated entirely in 16swg 304 stainless steel. This unit is mounted clear of the floor enabling the user to stand closer to the trough with his feet beneath it, thus making it a cleaner and more hygienic installation. A stainless steel undershield can be supplied which encloses pipework and trap and improves the anti vandal qualities of this unit. The undershield is also easily removable for maintenance purposes.

**Waste** The unit can be prepared for any stated waste size up to 2" BSP.

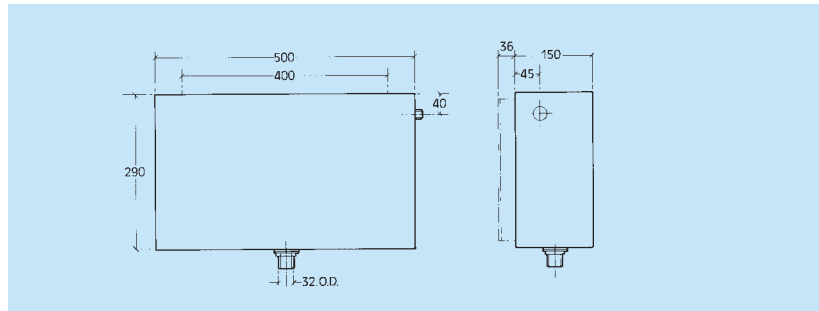
**Fixing and Security** Joggled strips are supplied together with base fixing brackets, when an undershield is supplied all are concealed.

**Size** Length tailored to suit client requirements with a wall or free standing end.

**Sparge Pipe and Spreader** All units are supplied with standard 22mm downpipe 15mm sparge pipes and C.P. back inlet spreaders.

**Special Features** To accommodate the need to install this urinal in inaccessible toilets it can be supplied in sections, each section to be bolted neatly to the next, each section having its own waste outlet which discharges into a common waste underneath. Because no sealing is required between each section there are no leaks and installation is as simple as fixing single units. Alternatively, a site visit can be quoted to weld the sections.

## Sanitary Ware



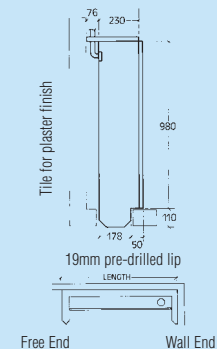
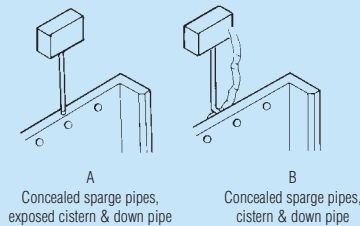
**Olympic Stainless Steel Cisterns**  
Manufactured from 16swg 304 grade stainless steel with all exposed surface polished to a satin finish.

Available in 9 and 13 litre capacity, high or low level, self flushing or manual. Supplied with all necessary internal plastic fittings.



(All measurements in millimetres)

When ordering please specify:  
Left hand end - Wall end or free end      Right hand end - Wall end or free end  
Outlet position - L.H., R.H., central      Flushing equipment. Specify as diagram A or B  
Off centre cistern - position relative to urinal length



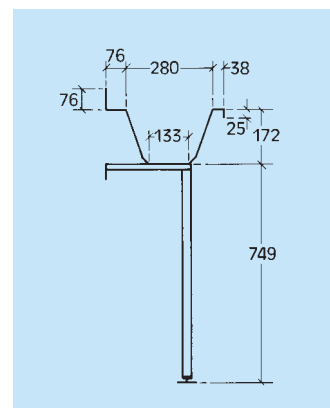
**Olympic Slab Urinal (Floor Recessed Type)**  
Fabricated entirely from 16swg 304 s/s, the unit is designed to be virtually vandal proof. It incorporates a 50mm tiling lip which enables the floor to be washed and flushed straight down the trough, thus making this unit easily cleaned and extremely hygienic.

**Waste** All units can be prepared for any waste size up to and including 2 1/2" BSP.  
**Fixing and Security** A 19mm wide pre-drilled lip is incorporated wherever the unit abuts walls which is then concealed under tile or plaster finishes.  
**Size** Available in any size or shape tailored to suit requirements with wall or free standing ends.

**Sparge Pipes and Spreaders** All units are supplied with standard 22mm downpipes, 15mm sparge pipes and C.P. back inlet spreaders or alternatively exposed sparge pipe.  
**Concealed Cistern and Downpipe** To improve the anti vandal qualities of this unit, it is recommended that the cistern and downpipe be concealed behind wall or false panel.



(All measurements in millimetres)



**Olympic Washing Troughs** Manufactured from 16swg 304 grade stainless steel with all exposed surfaces polished to a sateen finish. Supplied with stainless steel wall fixing brackets and C.P. waste outlet, diameter and position to suit client. Any required length up to 4800mm. Tap

holes as required. Stainless steel support legs with adjustable feet are available as extra, recommended for use on tap landing types, long splash backs and in heavy use areas. Island and multiple units, support frames also manufactured to suit client.

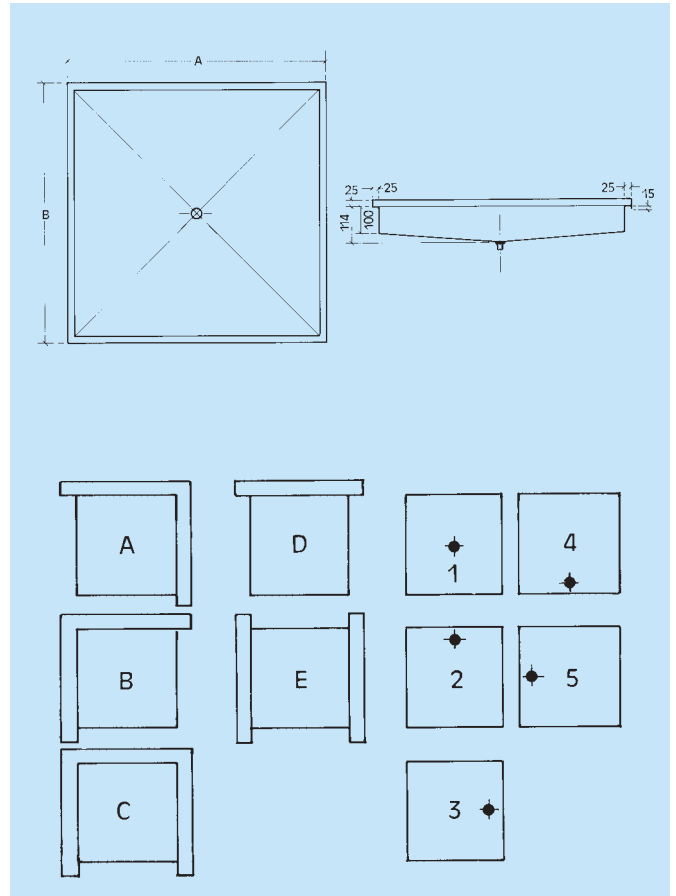
## Sanitary Ware



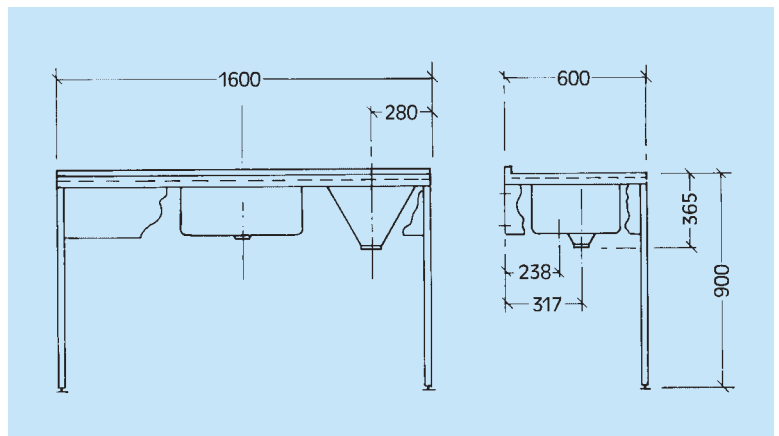
### Olympic Shower Trays

Manufactured from 16swg 304 grade stainless steel with all exposed surfaces polished to a sateen finish. Supplied with 38mm flush fitted grated waste outlet in position to suit client. The underside is treated with sound deadening material. Sizes manufactured to suit client. Stainless steel front valance also supplied as extra.

When ordering, specify required combination of open and wall sides by reference A,B,D,C,E, and required waste position 1,2,3,4,5.



## Hospital Equipment



### Olympic Hospital Disposal Unit with Sink

Combined slop hopper, sink & drainer available with hopper at left or right hand side.

Disposal Unit Assembly Comprising:  
Slop Hopper with sink in stainless steel. Hopper flanged or unflanged to suit clients requirements.

Can be supplied with stainless steel 'P' or 'S' strap.  
Sink fitted with 1½" unslotted strainer waste.

Unit illustrated can be supplied to accept concealed or exposed cistern.

## Purpose Made Equipment

M & G Olympic Products produce stainless steel fabrications for both commercial and domestic markets. We produce bespoke fabrications to individual client requirements, the following of which are examples.



Stainless steel cladding to cubicles and cubicle doors. Olympic stainless steel anti-vandal WC pan.



Stainless steel purpose made vanity sinks complete with stainless steel overshef.



109 - 111 Randall Street  
Sheffield S2 4SJ

Tel: 0114 275 6009/275 0363

Fax: 0114 273 9350

Website: [www.mgolympic.co.uk](http://www.mgolympic.co.uk)

E-mail: [sales@mgolympic.co.uk](mailto:sales@mgolympic.co.uk)

[design@mgolympic.co.uk](mailto:design@mgolympic.co.uk)