

CLEARFIRE 2000 LV SERIES



The LV Series is a natural louvre/fire ventilator that can extract large volumes of smoke and warm air in various weather conditions. Fitted with controllable internal side dampers, the unit can provide ventilation during periods when the top louvres are closed due to weather conditions. This unit is ideal for applications requiring ventilation during rain conditions.



The ventilator construction has integral rain channels for water discharge. Aerodynamically designed to maximise efficiency and provide an aesthetically pleasing appearance, the range is available in a variety of options. The units are suitable for a wide variety of applications ranging from industrial/commercial buildings to shopping centres and atria.

MATERIAL

Corrosion resistant mill finish hardened aluminium with corrosion resistant bearings. The top louvres longitudinal sealing is fixed with weatherproof sealing tape and energy strips. This sealing minimises draughts and heat loss when the blades are in the closed position and the side dampers are also closed. The Clearfire LV is also available with insulated blades or translucent polycarbonate blades. Insulated side dampers are also an option.

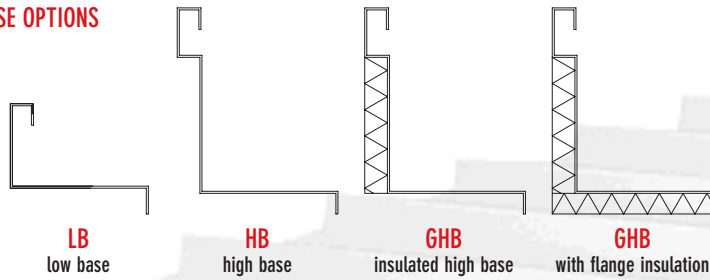


CLEARFIRE 2000 LV SERIES

OPERATION

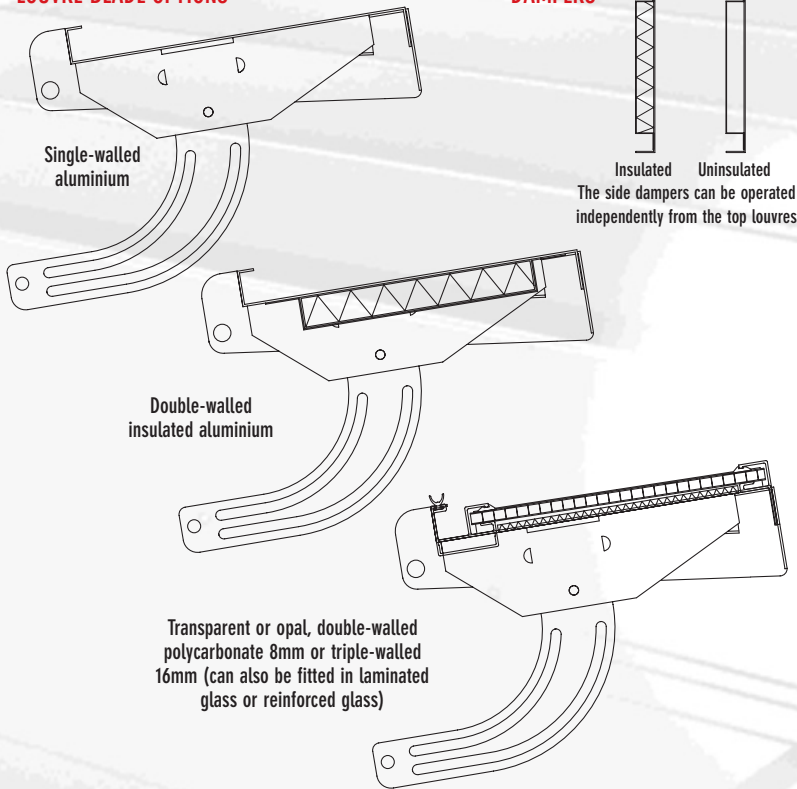
- P** single-acting compressed air operation
 - P2** double-acting compressed air operation
 - M** motor operation
 - K** cable operation
- Suffix: **B** fire function **FS** failsafe

BASE OPTIONS



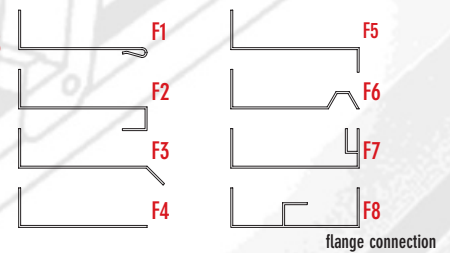
LOUVRE BLADE OPTIONS

DAMPERS



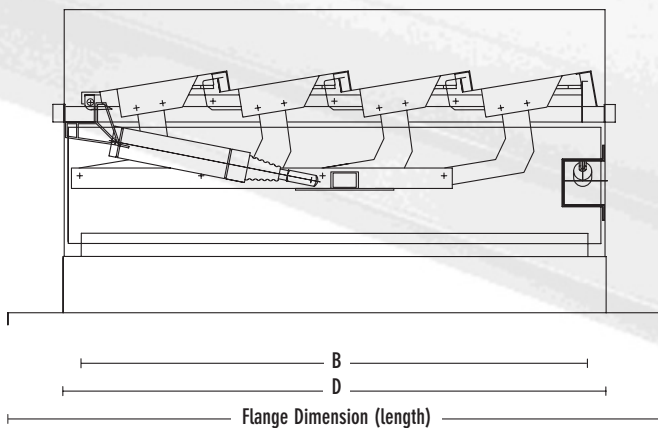
Type	UPPER LOUVRES		Measured Free Area	Weight	MIN. CLEAR OPENING	
	Geom. Area	Aerod. Area			LB/GHB	HB
60-4	0.63	0.42	0.28	40	600 x 940	640 x 980
60-5	0.77	0.52	0.35	44	600 x 1160	640 x 1200
60-6	0.91	0.61	0.42	49	600 x 1380	640 x 1420
60-7	1.05	0.70	0.50	53	600 x 1600	640 x 1640
60-8	1.19	0.80	0.57	58	600 x 1820	640 x 1860
60-9	1.33	0.89	0.63	62	600 x 2040	640 x 2080
60-10	1.47	0.98	0.71	67	600 x 2260	640 x 2300
60-11	1.61	1.08	0.79	71	600 x 2480	640 x 2520
60-12	1.75	1.17	0.86	76	600 x 2700	640 x 2740
60-13	1.89	1.27	0.93	80	600 x 2920	640 x 2960
120-4	1.22	0.82	0.28	57	1200 x 940	1240 x 980
120-5	1.49	1.00	0.35	64	1200 x 1160	1240 x 1200
120-6	1.76	1.18	0.42	70	1200 x 1380	1240 x 1420
120-7	2.03	1.36	0.50	77	1200 x 1600	1240 x 1640
120-8	2.31	1.55	0.57	83	1200 x 1820	1240 x 1860
120-9	2.58	1.73	0.63	90	1200 x 2040	1240 x 2080
120-10	2.85	1.91	0.71	96	1200 x 2260	1240 x 2300
120-11	3.12	2.09	0.79	103	1200 x 2480	1240 x 2520
120-12	3.40	2.28	0.86	109	1200 x 2700	1240 x 2740
120-13	3.67	2.46	0.93	116	1200 x 2920	1240 x 2960
180-4	1.80	1.21	0.28	75	1800 x 940	1840 x 980
180-5	2.21	1.48	0.35	84	1800 x 1160	1840 x 1200
180-6	2.61	1.75	0.42	93	1800 x 1380	1840 x 1420
180-7	3.02	2.02	0.50	102	1800 x 1600	1840 x 1640
180-8	3.42	2.29	0.57	111	1800 x 1820	1840 x 1860
180-9	3.83	2.57	0.63	120	1800 x 2040	1840 x 2080
180-10	4.23	2.83	0.71	129	1800 x 2260	1840 x 2300
180-11	4.64	3.11	0.79	138	1800 x 2480	1840 x 2520
180-12	5.04	3.38	0.86	147	1800 x 2700	1840 x 2740
180-13	5.45	3.65	0.93	156	1800 x 2920	1840 x 2960

FLANGE OPTIONS

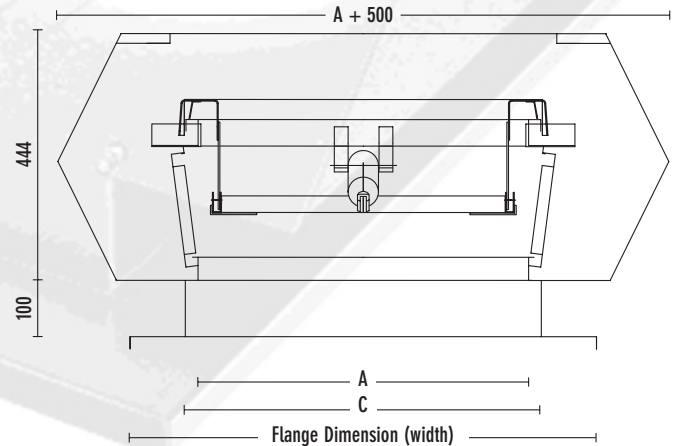


CROSS SECTIONS

Longitudinal Section



Transverse Section



McKENZIE MARTIN LIMITED