

# CLEARFIRE 2000



The Clearfire 2000 is a natural louvred ventilator that can extract large volumes of smoke and warm air within a short period of time. The ventilator offers a high ventilation capacity and flexibility in control options.



Aerodynamically designed to maximise efficiency and provide an aesthetically pleasing appearance, the range is available in a variety of options. The units are suitable for a wide variety of applications, ranging from industrial/commercial buildings to shopping centres and atria.

## **MATERIAL**

Corrosion resistant mill finish hardened aluminium, with corrosion resistant bearings. The longitudinal sealing is fitted with weatherproof sealing tape and energy strips. This sealing minimises draughts and heat loss when the blades are in the closed position. The Clearfire 2000 is also available with insulated blades or translucent polycarbonate blades.

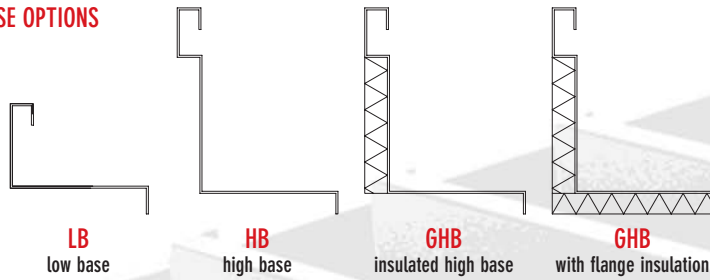


# CLEARFIRE 2000

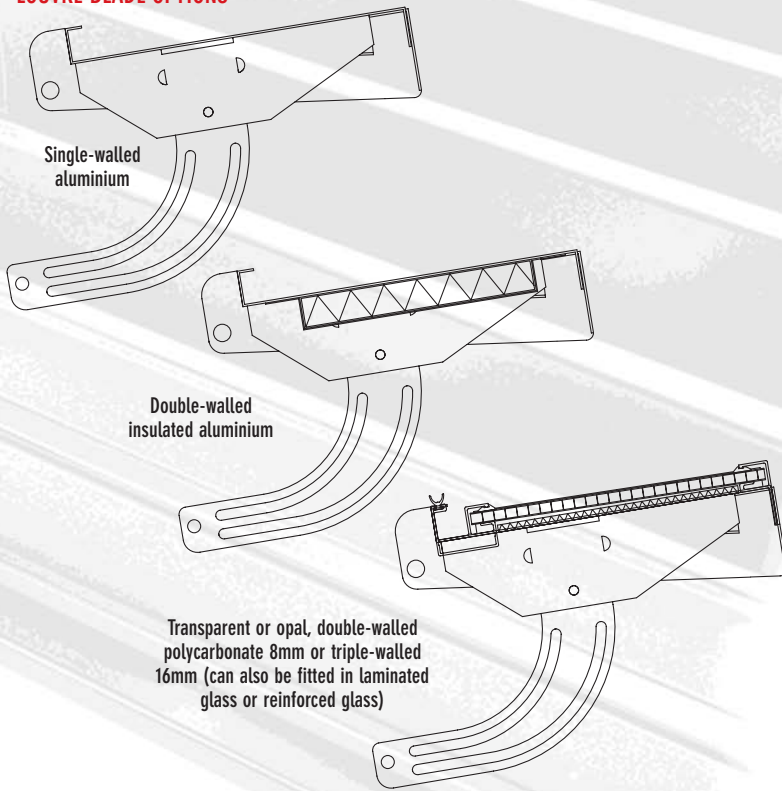
## OPERATION

- P single-acting compressed air operation
  - P2 double-acting compressed air operation
  - M motor operation
  - K cable operation
- Suffix: **B** fire function    **FS** failsafe

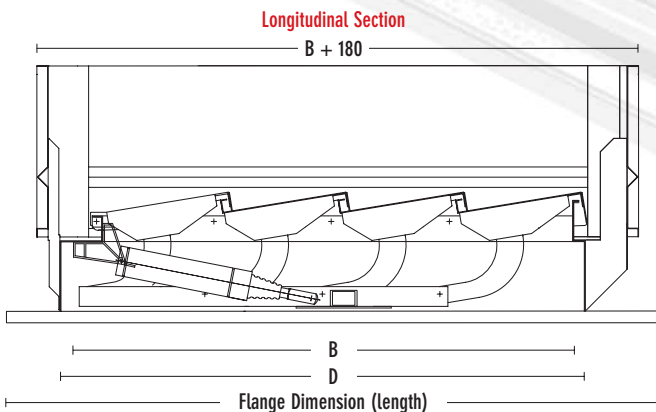
## BASE OPTIONS



## LOUVRE BLADE OPTIONS



## CROSS SECTIONS

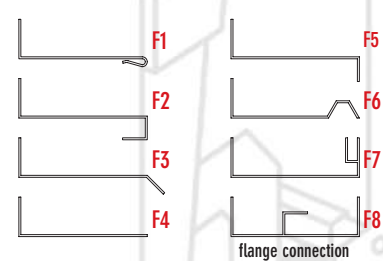


## LOUVRE INFORMATION

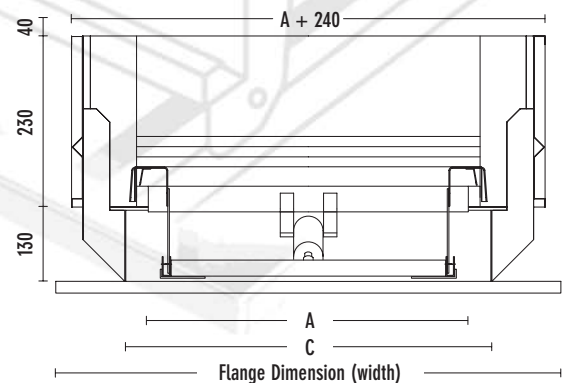
## MIN. CLEAR OPENING

Type	Geom. Area	Aerod. Area	Weight kg	LB/GHB	HB
	m <sup>2</sup>	m <sup>2</sup>		A x B	C x D
60-4	0.63	0.42	23	600 x 940	640 x 980
60-5	0.77	0.52	27	600 x 1160	640 x 1200
60-6	0.91	0.61	30	600 x 1380	640 x 1420
60-7	1.05	0.70	33	600 x 1600	640 x 1640
60-8	1.19	0.80	36	600 x 1820	640 x 1860
60-9	1.33	0.89	39	600 x 2040	640 x 2080
60-10	1.47	0.98	42	600 x 2260	640 x 2300
60-11	1.61	1.08	45	600 x 2480	640 x 2520
60-12	1.75	1.17	48	600 x 2700	640 x 2740
60-13	1.89	1.27	51	600 x 2920	640 x 2960
120-4	1.22	0.82	33	1200 x 940	1240 x 980
120-5	1.49	1.00	38	1200 x 1160	1240 x 1200
120-6	1.76	1.18	42	1200 x 1380	1240 x 1420
120-7	2.03	1.36	47	1200 x 1600	1240 x 1640
120-8	2.31	1.55	51	1200 x 1820	1240 x 1860
120-9	2.58	1.73	56	1200 x 2040	1240 x 2080
120-10	2.85	1.91	60	1200 x 2260	1240 x 2300
120-11	3.12	2.09	65	1200 x 2480	1240 x 2520
120-12	3.40	2.28	69	1200 x 2700	1240 x 2740
120-13	3.67	2.46	74	1200 x 2920	1240 x 2960
180-4	1.80	1.21	42	1800 x 940	1840 x 980
180-5	2.21	1.48	48	1800 x 1160	1840 x 1200
180-6	2.61	1.75	54	1800 x 1380	1840 x 1420
180-7	3.02	2.02	60	1800 x 1600	1840 x 1640
180-8	3.42	2.29	66	1800 x 1820	1840 x 1860
180-9	3.83	2.57	72	1800 x 2040	1840 x 2080
180-10	4.23	2.83	78	1800 x 2260	1840 x 2300
180-11	4.64	3.11	84	1800 x 2480	1840 x 2520
180-12	5.04	3.38	90	1800 x 2700	1840 x 2740
180-13	5.45	3.65	96	1800 x 2920	1840 x 2960
240-4	2.39	1.60	52	2400 x 940	2440 x 980
240-5	2.93	1.96	59	2400 x 1160	2440 x 1200
240-6	3.46	2.32	66	2400 x 1380	2440 x 1420
240-7	4.00	2.68	73	2400 x 1600	2440 x 1640
240-8	4.54	3.04	80	2400 x 1820	2440 x 1860
240-9	5.08	3.40	87	2400 x 2040	2440 x 2080
240-10	5.61	3.76	94	2400 x 2260	2440 x 2300
240-11	6.15	4.12	101	2400 x 2480	2440 x 2520
240-12	6.69	4.48	108	2400 x 2700	2440 x 2740
240-13	7.22	4.84	115	2400 x 2920	2440 x 2960

## FLANGE OPTIONS



## Transverse Section



## McKENZIE MARTIN LIMITED

ETON HILL WORKS, ETON HILL ROAD, RADCLIFFE, MANCHESTER, M26 2US  
 TEL: 0161 723 2234    FAX: 0161 725 9531    EMAIL: [general@mckenziemartin.co.uk](mailto:general@mckenziemartin.co.uk)