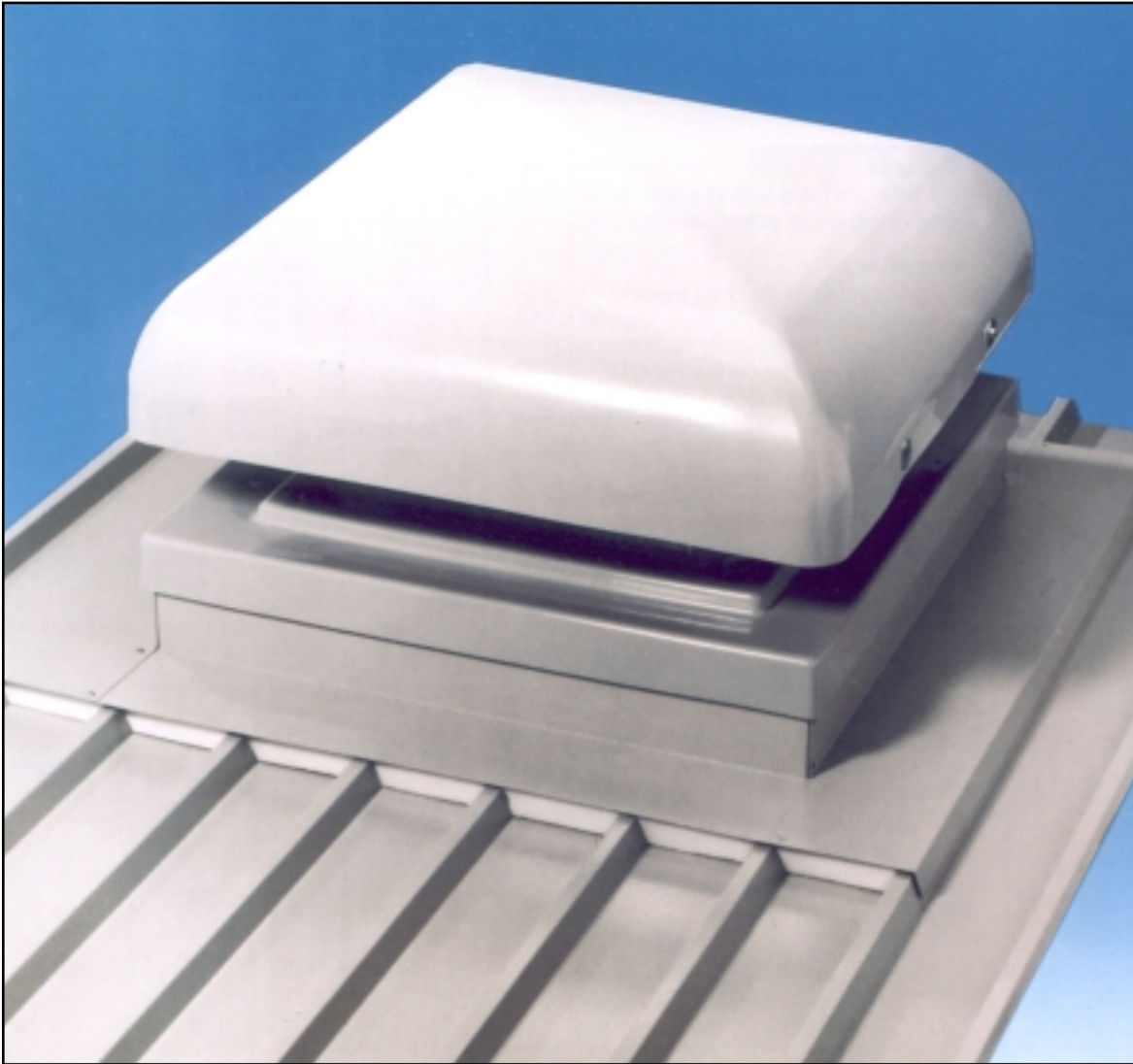


C1/SfB (57.7) Xy
Leaflet No. MPEU-1

MM MACSTREAM Powered Extract Units



Roof - mounted, low silhouette extract units (for curb and pitched roof mounting)

The range provides a choice of five sizes with 4, 6 or 8 pole speeds. The units incorporate the highest quality motors with excellent speed regulation characteristics and thermal motor protection as standard.



**McKenzie
Martin Ltd**

Specification

Construction

Base and cowl assemblies are manufactured from glass fibre reinforced polyester resin, with fire retardant characteristics in accordance with BS476, Class 2, Part 7. G.R.P. manufactured to a different British standard can be supplied if required.

Colour

Standard colour is to BS5252/10-A-05 (grey). Other colours are available.

Shutters

Lightweight aluminium backdraught shutters are supplied as standard. Airflow operated, they open when the fan is running and close when the unit is switched off, therefore, ensuring minimal heat loss through the unit.

Guards

All units are fitted with powder coated steel mesh bird/blade guards as standard.

Impellers

Constructed from injection moulded, quality thermoplastic with glass fibre filler, all impellers are dynamically balanced as per ISO 1940.

Motors (IP65* Class F/Thermal Protection)

Top quality motors are used on Macstream units as standard. They are of the asynchronous induction type with die cast aluminium squirrel cage rotors as per UNE standard 20-113 and CE134-1.

Class F insulation and construction to IP65* as per UNE20-111 and CE134-5 is standard.

*Note: Unit 800 has motor enclosed IP54.

To ensure high operating reliability, thermal motor protection is always included.

Electrical Supply

Most Macstream units are suitable for either 240V, 1ph, 50Hz or 415V, 3ph, 50Hz supplies as standard. Units suitable for other supplies are available on request. Refer to performance table (F.L.C. column).

Operating Conditions

Macstream units will operate satisfactorily in continuous temperatures from -20°C to +70°C. Motors are protected to IP65* - a much higher enclosure standard than the majority of our competitors.

Variable Speed Control

The Macstream range has excellent speed regulation characteristics and all units (except 800) can be controlled using Macstream speed regulators.

Unit Model	Single Phase Speed Controller	Three Phase Speed Controller
315/4	RDN2	3AT3
400/6	RDN2	3AT3
400/4	RDN2	3AT3
500/8	RDN2	3AT3
500/6	RDN6	3AT3
500/4	RDN6	3AT3
630/8	RDN2	3AT3
630/6	RDN6	3AT3
630/4	RDN10 or RJS8	3AT5
800/6	Not Available	3AT5

Starters/Isolators

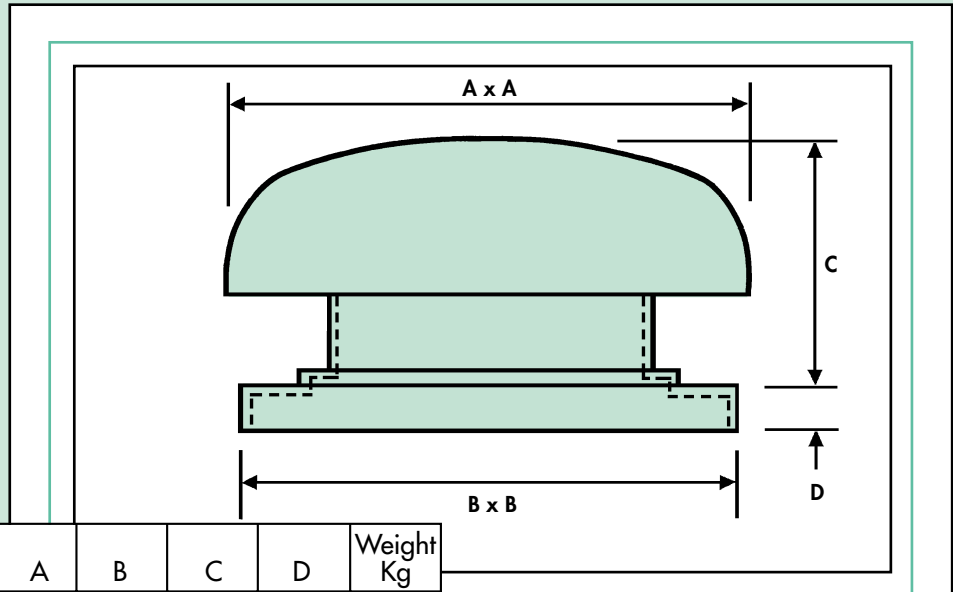
D.O.L. starters and isolators are available from McKenzie Martin.

Performance Tables

Unit Model	Speed (RPM)	Volume Flow Against Pressure				Three Phase		Single Phase		Sound Level dB(A) at 3.0m Freefield
		F.I.D.	25 (0.1)	50 (0.2)	75 (0.3)	Motor Input (W)	Max FLC (A)	Motor Input (W)	Max FLC (A)	
315/4	1200	0.61 (1300)	0.5 (1060)			140	0.32	150	0.71	48
		0.75 (1590)								
400/6	830	1.28 (2710)	1.19 (2520)	0.98 (2085)	0.69 (1470)	110	0.30	110	0.57	46
400/4	1200	1.08 (2300)				320	0.75	340	1.65	54
500/8	625	1.61 (3415)	1.32 (2800)			150	0.40	160	0.88	43
500/6	830	2.36 (5000)	2.15 (4560)	1.94 (4120)	1.61 (3415)	250	0.55	290	1.67	47
500/4	1285	2.27 (4830)				660	1.56	650	3.02	62
630/8	585	3.19 (6770)	2.64 (5600)	1.86 (3945)		310	0.77	320	1.65	53
630/6	800	4.2 (8900)	3.82 (8100)	3.45 (7315)		600	1.19	510	2.56	58
630/4	1290	5.5 (11660)	4.72 (10010)	3.97 (8420)	2.86 (6065)	1600	2.80	1600	7.20	66
800/6	930					1600	3.40	-	-	59

Intermediate sizes also available. Please contact our technical sales for information.

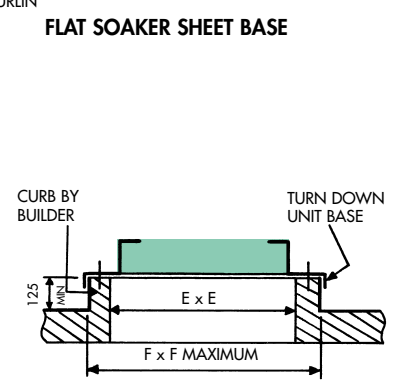
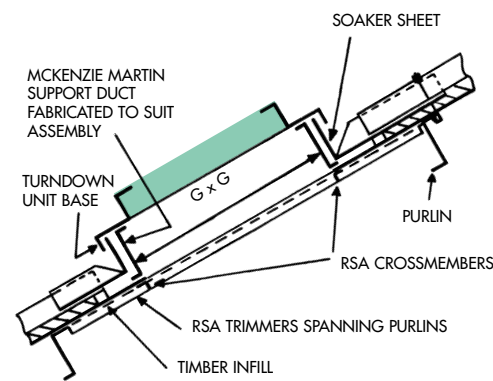
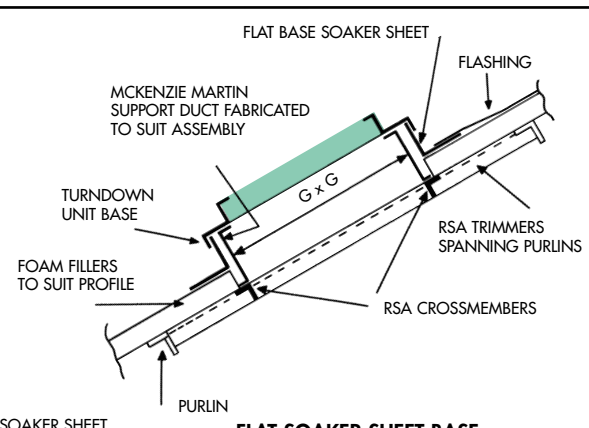
Dimensions and Weights



Unit size	A	B	C	D	Weight Kg
315	600	600	305	80	12
400	700	700	350	80	15
500	900	860	430	80	30
630	1100	1050	475	80	45
800	1300	1300	560	80	90

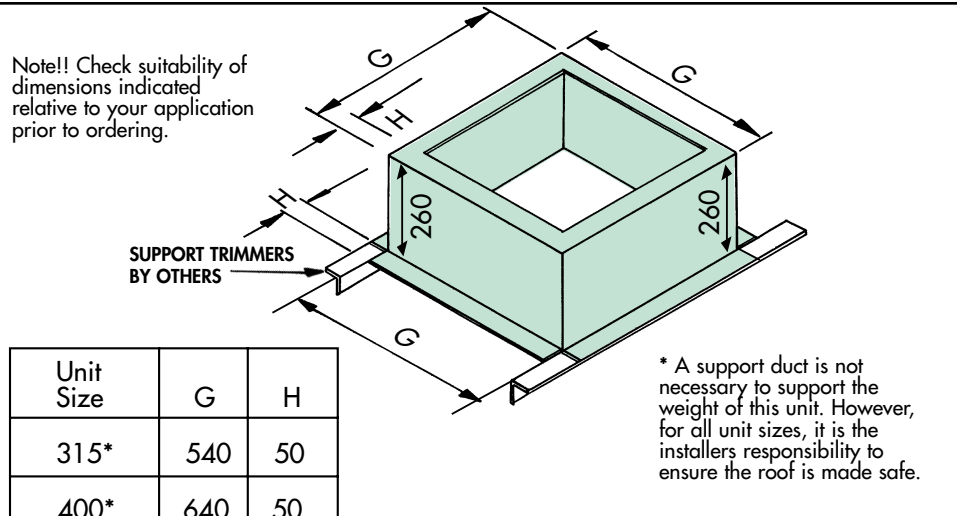
Installation Details

Unit Size	E	F	G
315	425	560	540
400	525	660	640
500	655	820	770
630	825	1010	940
800	1040	1260	1155



PROFILED SOAKER SHEET BASE
(DETAIL OF SUPPORT DUCT OVERLEAF)

CURB MOUNTED



Unit Size	G	H
315*	540	50
400*	640	50
500*	770	50
630	940	50
800	1155	50

Support Duct

Soaker Sheets

Units are normally supplied with a flat base upstand for fixing onto roof sheeting applications. Alternatively, if requested a range of soaker sheeting profiles are available including the following:

Ash and Lacy AL1, Atlas Major (Eternit), Big Six, Cape 1000/33W (Wards), Cladcolour 34, Double Six Imperial (Eternit), Double Six Metric (Eternit), Monad, PMF R32, PMF R38A or WA6, Standard 3", TAC R34. Please Note: The range is continually being extended. Please ask if required profile is not listed.

Note: Height of profiled soaker sheet upstand is 150 mm.

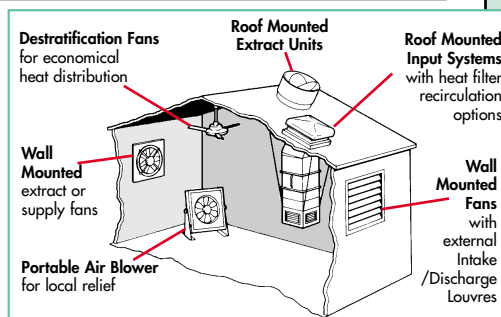
- A: State unit model code and electrical supply required - refer to performance tables.
- B: State whether soaker sheet is required and which profile.
- C: State whether support duct is required.

All details shown are generally accurate but should be checked before ordering.

Specifying or Ordering Information

Other Products

A comprehensive range of axial, mixed flow and centrifugal type roof units to suit a wide variety of applications. Choice of styles available manufactured using standard components which can be tailored to cater for needs such as fresh air input, recirculation, filtration, heating, adjustable air distribution, smoke extraction. Manufactured in a durable reinforced polyester resin, the units offer excellent resistance to atmospheric corrosion.



Input Unit

An economic and extremely flexible means of heating and ventilating industrial and commercial buildings. Choice of styles available manufactured in 5 different sizes. Alternative fan speeds to suit a range of duties and sound levels. Suitable for mounting on any type of flat or pitched roof construction.

Smoke Extract

A smoke spill roof extract unit providing high velocity discharge and dispersal, powered by high temperature aerofoil fans. Functions as normal high efficiency extract system if required. Complete control systems available.



McKenzie Martin Ltd

Ventilators - Louvres - Rooflights

Eton Hill Works, Eton Hill Road, Radcliffe, Manchester M26 9US
Tel: 0161 - 723 2234 Fax: 0161 - 725 9531