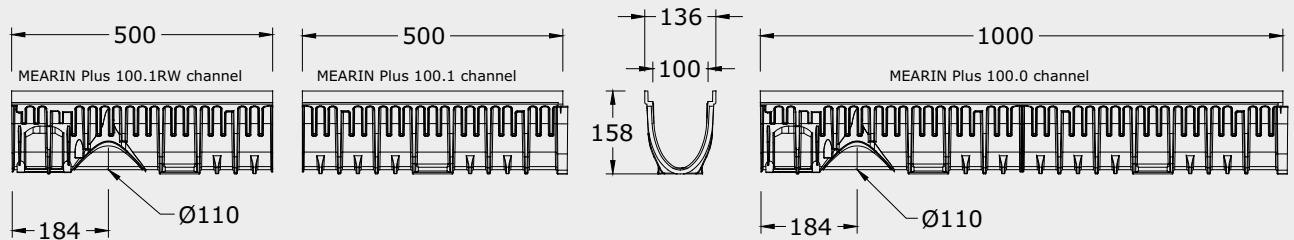


# MEARIN® Plus 100 and Expert 100

## Technical data sheet



## Material properties

### Channel body and accessories

- ◆ SMC (sheet moulded compound)  
Glassfibre reinforced polyester, mineral fillers, additives
- ◆ Tensile strength 65 N/mm<sup>2</sup> (ISO527)
- ◆ Flexural tensile strength 120 N/mm<sup>2</sup> (ISO 14125)
- ◆ Modulus of elasticity 10.000 N/mm<sup>2</sup> (ISO 14125)
- ◆ Linear expansion coefficient 1.5 - 2.0 x 10<sup>-5</sup> 1/K
- ◆ Heat resistance 100°C permanent exposure,  
short-term exposure to 200°C
- ◆ Frost resistance -35°C
- ◆ Water absorption < 0.1% (ISO R178)
- ◆ Material structure capillary free

### Edge protection

#### MEARIN Plus

- ◆ Glassfibre reinforced polyester

#### MEARIN Expert

- ◆ Galvanized steel

### Channel covers

- ◆ Galvanized steel
- ◆ Ductile iron

## Description and sizes

- ◆ Drainage channels made of glass-fibre reinforced polyester with integrated sealable rebate
  - ◆ With galvanized steel or glass-fibre reinforced polyester edge protection
  - ◆ Interlocking channel connection system (tongue and groove)
  - ◆ Pre-formed Ø 110 outlets for vertical, lateral and horizontal connections
  - ◆ Lateral channel connection option for T, corner and cross connections
  - ◆ Half-metre lengths for flow direction change (RW)
  - ◆ Suitable for the installation of MEARIN Plus and Expert 100 channel covers with STARFIX non-bolted grating securement
- 
- ◆ Clear width: 100 mm
  - ◆ Fall type: Level fall
- 
- ◆ Loading class: A 15 – E 600 to EN 1433
  - ◆ CE conformity
  - ◆ Total height: 158 mm
  - ◆ Total width: MEARIN Plus 136 mm, MEARIN Expert 132 mm
  - ◆ Length: 500 mm and 1000 mm

## Channel unit overview

### MEARIN Plus 100 channel body

Edge: GRP						
Description	Loading class	Length mm	Total width mm	Total height mm	Weight kg	Inlet sectional area cm <sup>2</sup> *)
MEARIN Plus 100.0 channel <sup>1)2)</sup>	D 400	1000	136	158	4,00	107,06
MEARIN Plus 100.1 channel <sup>2)</sup>	D 400	500	136	158	2,00	107,06
MEARIN Plus 100.1 RW channel <sup>1)2)3)</sup>	D 400	500	136	158	2,00	107,06

### MEARIN Expert 100 channel body

Edge: Galvanized steel						
Description	Loading class	Length mm	Total width mm	Total height mm	Weight kg	Inlet sectional area cm <sup>2</sup> *)
MEARIN Expert 100.0 channel <sup>1)2)</sup>	E 600	1000	132	158	5,80	107,06
MEARIN Expert 100.1 channel <sup>2)</sup>	E 600	500	132	158	2,80	107,06
MEARIN Expert 100.1RW channel <sup>1)2)3)</sup>	E 600	500	132	158	2,80	107,06

### MEARIN Plus and Expert 100 accessories

Description	Loading class	Length mm	Total width mm	Total height mm	Weight kg	Inlet sectional area cm <sup>2</sup> *)
MEARIN Plus 100 EK (silt box)	D 400	500	136	376	2,96	107,06
MEARIN Expert 100 EK (silt box)	E 600	500	132	376	4,20	107,06

Description	Thickness	Weight
	mm	kg
MEARIN Plus/Expert 100 end cap, closed	5	0,04
MEARIN Plus/Expert 100 end cap, Ø 110	5	0,06
MEARIN Plus/Expert 100 end cap, lateral, Ø 110		0,08
MEARIN Plus/Expert 100 channel adapter		0,04
MEARIN Plus/Expert 100 outlet Ø 110		0,08
MEARIN Plus/Expert 100 foul air trap		0,20

<sup>1)</sup> Connection option for vertical outlet, Ø 110  
end cap with lateral connector, Ø 110  
lateral channels, for T, corner and cross connections

<sup>2)</sup> Connection option for silt box, Ø 110 connections  
end cap with horizontal connector, Ø 110

<sup>3)</sup> Possible application flow direction change

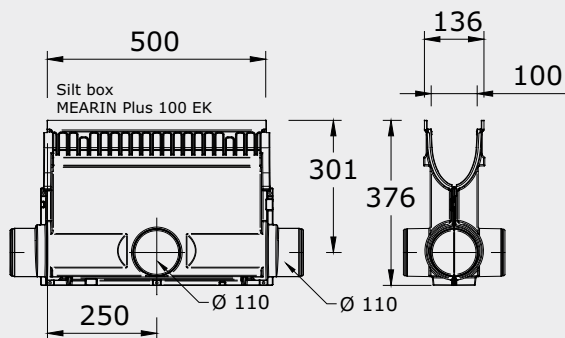
Note: RW direction change  
Slot slotted grating  
Mesh mesh grating  
Duct. ductile iron slotted grating

\*) cross sectional area from the grating surface to the invert of the channel.

## MEARIN Plus and Expert 100 channel covers

Description	Loading class	Material	Length	Total width	Total height	Weight	Inlet sectional area cm <sup>2</sup> /m
			mm	mm	mm	kg	
MEARIN Plus/Expert 100 Slot	A 15	galvanized steel	1000	122	20	1,40	280,00
MEARIN Plus/Expert 100 Slot	A 15	galvanized steel	500	122	20	0,80	280,00
MEARIN Plus/Expert 100 Mesh 30/10	A 15	galvanized steel	1000	122	20	3,02	845,00
MEARIN Plus/Expert 100 Mesh 30/10	A 15	galvanized steel	500	122	20	1,62	808,00
MEARIN Plus/Expert 100 Perf.	A 15	galvanized steel	1000	122	20	1,75	302,00
MEARIN Plus/Expert 100 Perf.	A 15	galvanized steel	500	122	20	0,95	302,00
MEARIN Plus/Expert 100 Perf.	A 15	stainless steel	1000	122	20	1,75	302,00
MEARIN Plus/Expert 100 Perf.	A 15	stainless steel	500	122	20	0,95	302,00
MEARIN Plus/Expert 100 Slot	A 15	stainless steel	1000	122	20	2,40	280,00
MEARIN Plus/Expert 100 Slot	A 15	stainless steel	500	122	20	1,30	280,00
MEARIN Plus/Expert 100 Mesh 30/10	A 15	stainless steel	1000	122	20	3,02	845,00
MEARIN Plus/Expert 100 Mesh 30/10	A 15	stainless steel	500	122	20	1,62	808,00
MEARIN Plus/Expert 100 Perf. grey	A 15	plastic	500	122	20	0,66	302,00
MEARIN Plus/Expert 100 Perf. beige	A 15	plastic	500	122	20	0,66	302,00
MEARIN Plus/Expert 100 Design 'Rays'	A 15	stainless steel	1000	122	20	1,45	218,00
MEARIN Plus/Expert 100 Design 'Rays'	A 15	stainless steel	500	122	20	0,75	218,00
MEARIN Plus/Expert 100 Design 'Fish'	A 15	stainless steel	1000	122	20	1,45	150,00
MEARIN Plus/Expert 100 Design 'Fish'	A 15	stainless steel	500	122	20	0,75	150,00
MEARIN Plus/Expert 100 Design 'Rallye'	A 15	stainless steel	1000	122	20	1,45	260,00
MEARIN Plus/Expert 100 Design 'Rallye'	A 15	stainless steel	500	122	20	0,75	260,00
MEARIN Plus/Expert 100 Design 'Lozenge'	A 15	stainless steel	1000	122	20	1,45	176,00
MEARIN Plus/Expert 100 Design 'Lozenge'	A 15	stainless steel	500	122	20	0,75	176,00
MEARIN Plus/Expert 100 Design 'Rays'	A 15	galvanized steel	1000	122	20	1,45	218,00
MEARIN Plus/Expert 100 Design 'Rays'	A 15	galvanized steel	500	122	20	0,75	218,00
MEARIN Plus/Expert 100 Design 'Fish'	A 15	galvanized steel	1000	122	20	1,45	150,00
MEARIN Plus/Expert 100 Design 'Fish'	A 15	galvanized steel	500	122	20	0,75	150,00
MEARIN Plus/Expert 100 Design 'Rallye'	A 15	galvanized steel	1000	122	20	1,45	260,00
MEARIN Plus/Expert 100 Design 'Rallye'	A 15	galvanized steel	500	122	20	0,75	260,00
MEARIN Plus/Expert 100 Design 'Lozenge'	A 15	galvanized steel	1000	122	20	1,45	176,00
MEARIN Plus/Expert 100 Design 'Lozenge'	A 15	galvanized steel	500	122	20	0,75	176,00
MEARIN Plus/Expert 100 Mesh 30/10	B 125	galvanized steel	1000	122	20	3,60	845,00
MEARIN Plus/Expert 100 Mesh 30/10	B 125	galvanized steel	500	122	20	1,91	808,00
MEARIN Plus/Expert 100 Slot	C 250	galvanized steel	1000	122	20	4,20	280,00
MEARIN Plus/Expert 100 Slot	C 250	galvanized steel	500	122	20	2,10	280,00
MEARIN Plus/Expert 100 Mesh 30/20	C 250	galvanized steel	1000	122	20	4,29	857,00
MEARIN Plus/Expert 100 Mesh 30/20	C 250	galvanized steel	500	122	20	2,23	822,00
MEARIN Plus/Expert 100 Duct.	C 250	ductile iron	500	122	20	3,70	350,00
MEARIN Plus/Expert 100 Slot	C 250	stainless steel	1000	122	20	5,50	280,00
MEARIN Plus/Expert 100 Slot	C 250	stainless steel	500	122	20	2,80	280,00
MEARIN Plus/Expert 100 Mesh 30/20	C 250	stainless steel	1000	122	20	4,29	857,00
MEARIN Plus/Expert 100 Mesh 30/20	C 250	stainless steel	500	122	20	2,23	822,00
MEARIN Plus/Expert 100 Mesh 30/20	D 400	galvanized steel	1000	122	20	5,70	794,00
MEARIN Plus/Expert 100 Mesh 30/20	D 400	galvanized steel	500	122	20	2,85	762,00
MEARIN Plus/Expert 100 Duct.	D 400	ductile iron	500	122	20	3,85	400,00
MEARIN Plus/Expert 100 Mesh 30/20	D 400	stainless steel	1000	122	20	6,18	794,00
MEARIN Plus/Expert 100 Mesh 30/20	D 400	stainless steel	500	122	20	3,14	762,00
MEARIN Plus/Expert 100 WAVE-grating	E 600	ductile iron	500	122	20	3,85	546,00

## Silt box in glass-fibre reinforced polyester

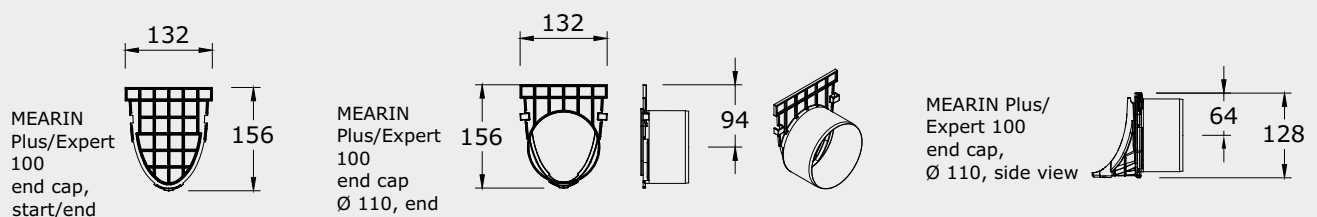


### Description and sizes

- ◆ Suitable for MEARIN Plus 100 and MEARIN Expert 100
- ◆ With galvanized steel or glass-fibre reinforced polyester edge protection
- ◆ With sediment bucket
- ◆ Connection option for Ø 110
- ◆ Interlocking channel connection system
- ◆ Suitable for the installation of MEARIN Plus and Expert 100 channel covers with STARFIX non-bolted grating securement

	Loading class	Length mm	Total width mm	Total height mm	Weight kg	Inlet sectional area cm <sup>2</sup>
<b>Edge: GRP</b>						
MEARIN Plus 100 EK (silt box)	D 400	500	136	376	2,96	107,06
<b>Edge: galvanized steel</b>						
MEARIN Expert 100 EK (silt box)	E 600	500	132	376	4,20	107,06

### End caps

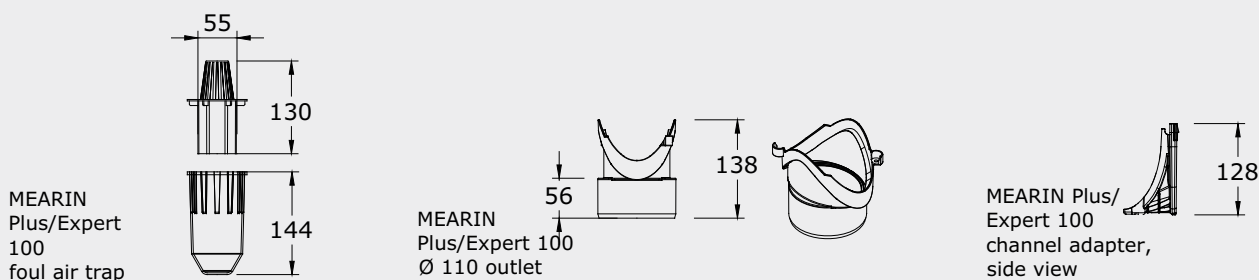


### Description and sizes

- ◆ Suitable for MEARIN Plus 100 and MEARIN Expert 100
- ◆ Connection option for Ø 110
- ◆ Material: polypropylene

	Thickness mm	Weight kg
MEARIN Plus/Expert 100 end cap, closed	5	0,04
MEARIN Plus/Expert 100 end cap, Ø 110	5	0,06
MEARIN Plus/Expert 100 end cap, lateral, Ø 110	5	0,08

## Foul air trap, outlet connector and channel adapter

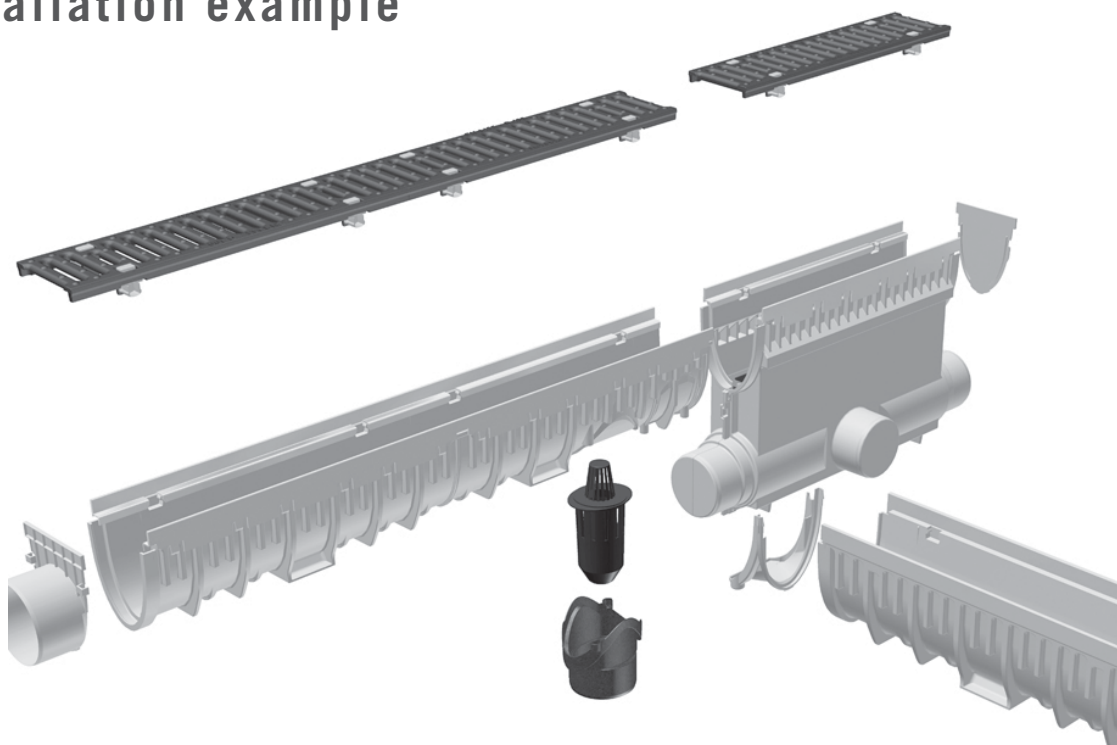


### Description and sizes

- ◆ Suitable for MEARIN Plus 100 and MEARIN Expert 100
- ◆ Material: polypropylene

	Weight kg
MEARIN Plus/Expert 100 channel adapter	0,04
MEARIN Plus/Expert 100 Ø 110 outlet	0,08
MEARIN Plus/Expert 100 foul air trap	0,20

### Installation example



For enquiries in the UK and Ireland:

**MEA UK Limited**  
 Rectors Lane  
 Pentre  
 Deeside  
 Flintshire  
 CH5 2DH  
 tel: 0 1244 53 44 55  
 fax: 0 1244 53 44 77  
 uk.technical@mea.de  
 www.mea-group.com

For all other enquiries:

**MEA Drainage Systems**  
 Ambachtsweg 18  
 7021 BT Zelhem  
 P.O. Box 90  
 7020 AB Zelhem  
 The Netherlands  
 tel: (+31) 314 62 77 62  
 fax: (+31) 314 62 77 77  
 sales.info@nl.mea.de  
 www.mea-group.com