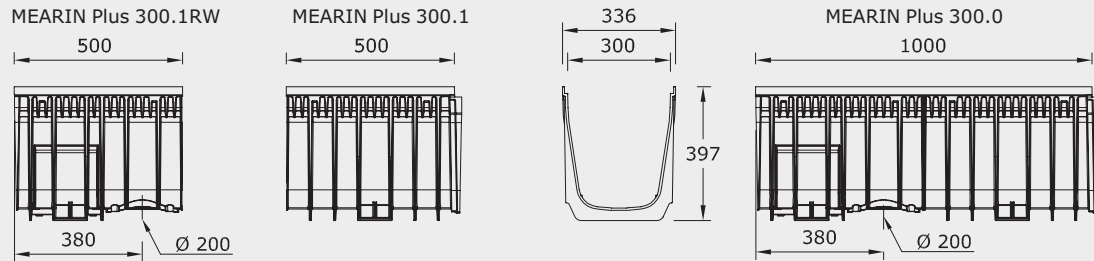


# MEARIN Plus 300 and Expert 300

## Datasheet



## Material characteristics

### Channel units and siltbox

- SMC (Sheet moulded compound) fibre glass reinforced polyester unsaturated, mineral fillers, additives
- Traction resistance 65 N/mm<sup>2</sup> (ISO 527)
- Flexion resistance 120 N/mm<sup>2</sup> (ISO 14125)
- Flexural modulus of elasticity 10000 N/mm<sup>2</sup> (ISO 14125)
- Longitudinally stretching coefficient 1,5-2,0 x 10<sup>-5</sup> 1/K
- Constant heat 100°C permanent load, up to 200°C short-term
- Constant frost - 35°C
- Water absorption < 0,1% (ISO R178)
- Material structure capillary free

### Edge protection

- **MEARIN Plus** fibre glass reinforced polyester
- **MEARIN Expert** Steel, continuously galvanised, zinc thickness 18µ

### Channel grating covers

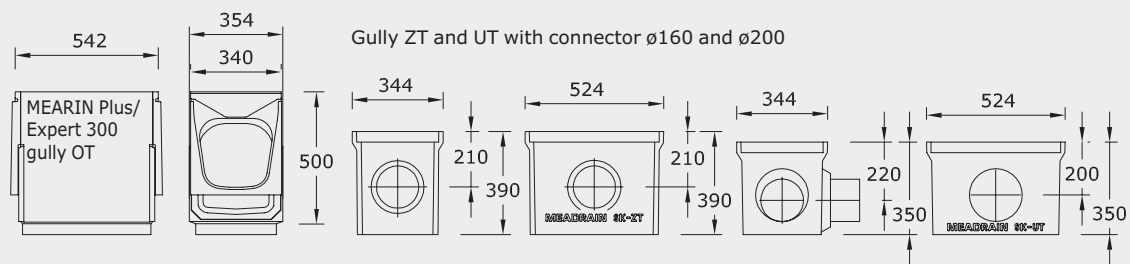
- Hot-galvanized steel, Zinc thickness 75 µ
- Cast iron: GGG (Sphäro)

## Description and dimensions

- Fibre glass reinforced drainage channels with integrated channel groove
- With and without edge protection, galvanized steel
- Connection facility for outlet ø 200mm, for vertical, sideways and horizontal connection
- Discharge capacity on cross sectional area 50 l/s
- Interlocking joint system for channel connection
- Channel connection facility sideways for t, corner and cross connections
- Half meter pieces for change at channel run
- Suitable for fitting MEARIN Plus and Expert 300 channel grating cover with STARFIX screwless grate safeguard

- Nominal size: 300 mm
- Fall available: no fall
- Load classifications: A15 to E600 according to EN1433
- CE compliant
- Total height: 397 mm
- Total width: MEARIN Plus 300: 336 mm, MEARIN Expert 300: 332 mm
- Total length: 500 mm und 1000 mm
- Channel unit weight: MEARIN Plus 300: 11,80 kg / MEARIN Expert 300: 13,72 kg

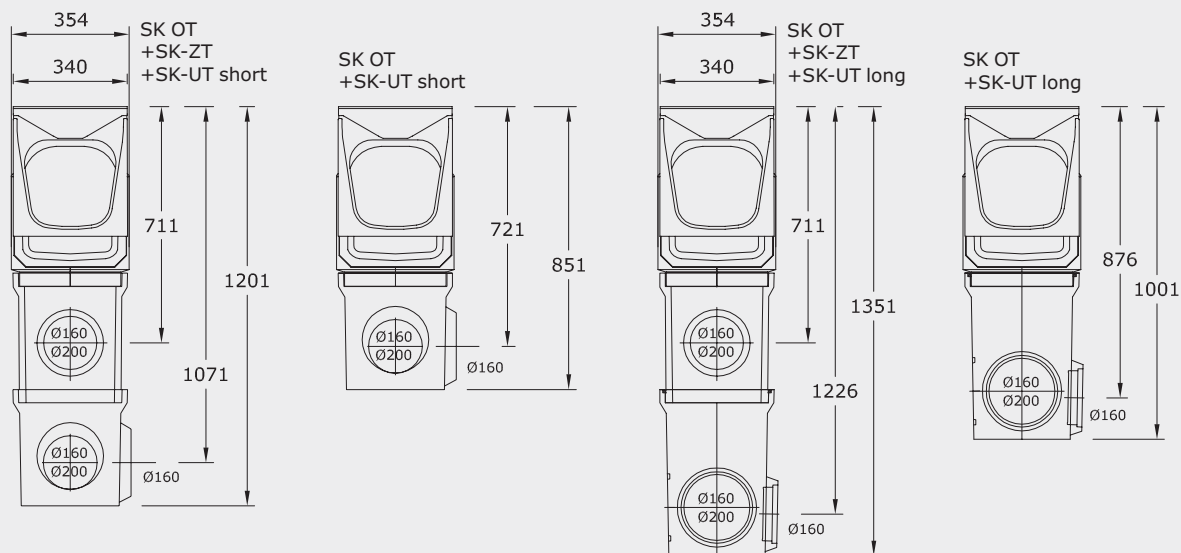
## MEARIN Plus and Expert 300 2- or 3-parts polymer concrete gully



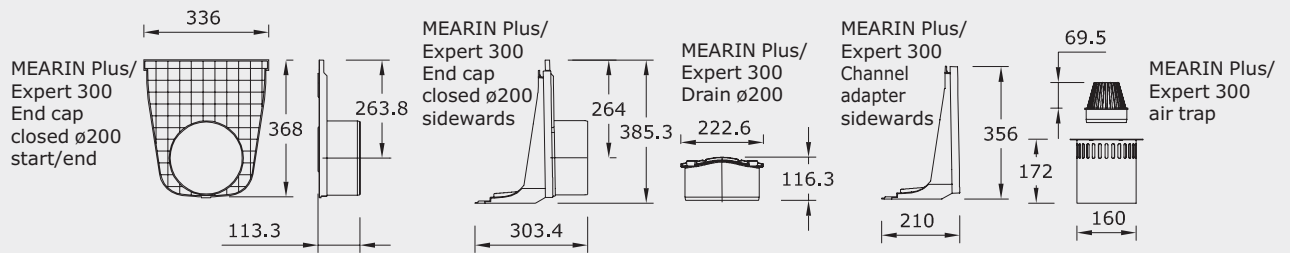
### Description and dimensions gully

- Fitting MEARIN Plus 300 and MEARIN Expert 300 drainage channel
- With edge protection, cast GG
- In 2 sediment bucket variations, galvanized steel - "short" for gully-top+bottom-combination; "long" for gully-top+middle+bottom-combination;
- Connection facility for  $\varnothing 160$ mm and  $\varnothing 200$ mm pipe
- Interlocking joint system for channel connection
- Suitable for fitting MEADRAIN-Top 3000 channel grating cover with PROFIX screwless gratesafeguard

- Nominal size: 300 mm
- Load classifications: A15 to F900 according to EN1433
- CE compliant
- Total height: SK-OT+UT: 750 mm / SKOT+ZT+UT: 1100 mm
- Total width: 354 mm (340 mm upper edge)
- Total length: 542 mm
- Weight: SK-OT: 39,10kg; SK-ZT: 22,00kg; SK-UT short: 24,00kg; SK-UT long: 33,60kg



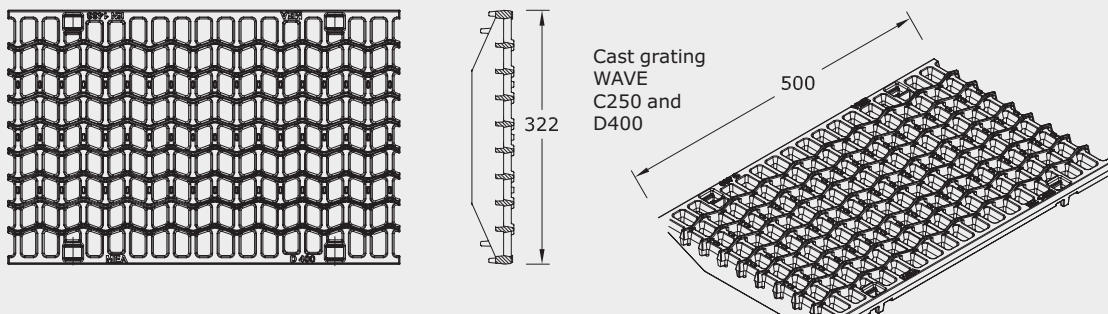
## MEARIN Plus and Expert 300 accessory



### Description and dimensions accessory

- Fitting MEARIN Plus 300 and MEARIN Expert 300 drainage channel
- End Cap for Channel start and -end with connection facility  $\varnothing 200$ mm pipe
- End cap sideways seitlich for connection facility  $\varnothing 200$ mm pipe,  $90^\circ$  to channel run
- Adapter for connecting channel unit sideways,  $90^\circ$  to channel run
- Vertical outlet connection, for connection facility  $\varnothing 200$ mm pipe
- Roddable foul air trap mit dirt sieve and dirt trap, applicable for subsequent installation in vertical outlet connection
- Material polypropylene and galvanized steel
- All connectors fitted with channel groove according to EN1433

## MEARIN Plus and Expert 300 channel grating cover



### Description and dimensions

- Fitting MEARIN Plus 300 and MEARIN Expert 300 drainage channel
- With quick release fastener STARFIX
- Material Cast GGG50 and hot-galvanized steel, 75 $\mu$
- Load classifications: C250, D400, and E600 according to EN1433

Description	Class mm	Length mm	Total width incl. grating mm	Insertion height mm	Weight kg	inflow cross section cm <sup>2</sup>
MEARIN Plus/Expert 300 mesh grating, MW20/30	C250	1000	322	20	32,80	2265
MEARIN Plus/Expert 300 mesh grating, MW20/30	C250	500	322	20	16,20	2220
MEARIN Plus/Expert 300 cast grating WAVE	C250	500	322	20	15,50	1780
MEARIN Plus/Expert 300 cast grating WAVE	D400	500	322	20	19,00	1780
MEARIN Plus/Expert 300 cast grating WAVE	E600	500	322	20	22,00	1780
MEARIN Plus/Expert 300, solid cover closed	E600	500	322	20	20,60	–

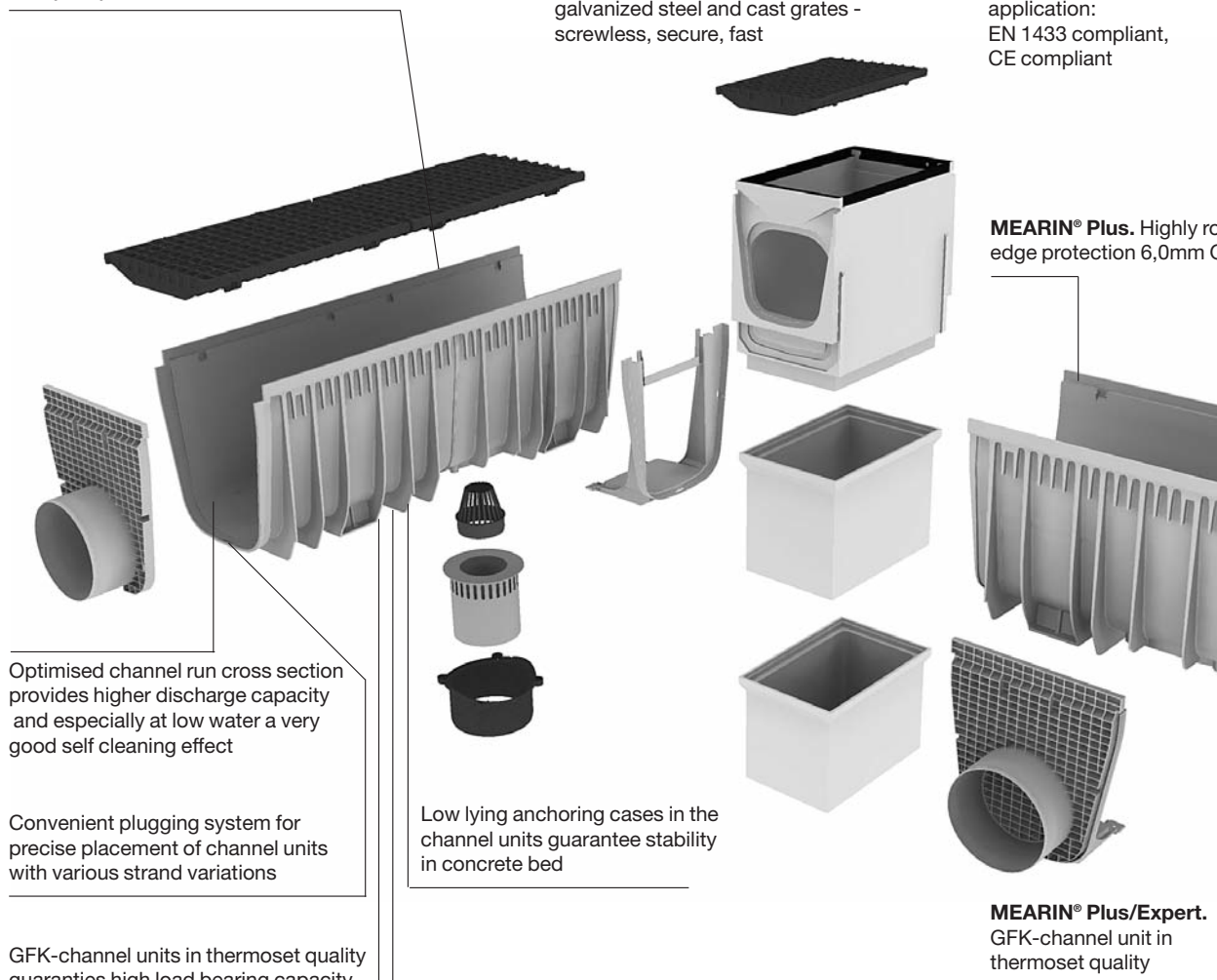
## MEARIN Plus and Expert 300 System view



**MEARIN® Expert.** Solid grounded 4mm galvanized steel edge protection meets heavy duty demands

Innovative STARFIX grate fail-safe system:  
Easy attaching and detaching of galvanized steel and cast grates - screwless, secure, fast

Complete, sealable GFK-channel unit system with accessory for standardised application:  
EN 1433 compliant, CE compliant



Optimised channel run cross section provides higher discharge capacity and especially at low water a very good self cleaning effect

Convenient plugging system for precise placement of channel units with various strand variations

GFK-channel units in thermoset quality guaranties high load bearing capacity, temperature and form stability

High stability of channel units opens a huge field of deployment up to drainage solutions of class E600

Low lying anchoring cases in the channel units guarantee stability in concrete bed

**MEARIN® Plus.** Highly robust edge protection 6,0mm GFK

**MEARIN® Plus/Expert.** GFK-channel unit in thermoset quality

**For enquiries in the UK and Ireland:**

**MEA UK Limited**

Rectors Lane  
Pentre  
Deeside  
Flintshire  
CH5 2DH  
tel: 0 1244 53 44 55  
fax: 0 1244 53 44 77  
[uk.technical@mea.de](mailto:uk.technical@mea.de)  
[www.mea-group.com](http://www.mea-group.com)

**For all other enquiries:**

**MEA Drainage Division**

Ambachtsweg 18  
7021 BT Zelhem  
P.O. Box 90  
7020 AB Zelhem  
The Netherlands  
tel: +31 (0) 314 62 77 62  
fax: +31 (0) 314 62 77 77  
[sales.info@nl.mea.de](mailto:sales.info@nl.mea.de)  
[www.mea-group.com](http://www.mea-group.com)