

# Measuring the enclosure



On a tray / on a tiled base

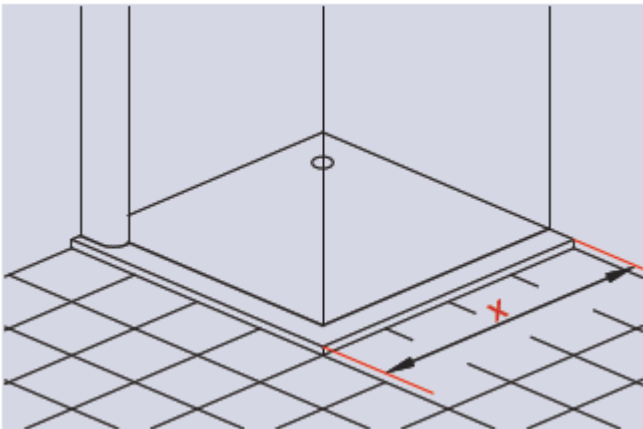
Example :

Atea two part corner entry

(hinged doors with fixed panels)

Please always indicate:

outer edge to wall



X – exterior edge of tray to wall

10 mm distance from edge of tray = exterior position of the enclosure

25 mm distance from edge of tray = exterior dimension of the glass

**The shower enclosure should always be installed approx. 10 mm from the edge of the tray at its outermost position.**

The width adjustment of the made to measure product makes it possible to compensate for slopes, if the walls are not perfectly straight.

The exact width adjustment of the made to measure product can be found in the respective table of special measurements.

# Measuring the enclosure

On a tiled floor / without tray



Example :

Atea two part corner entry

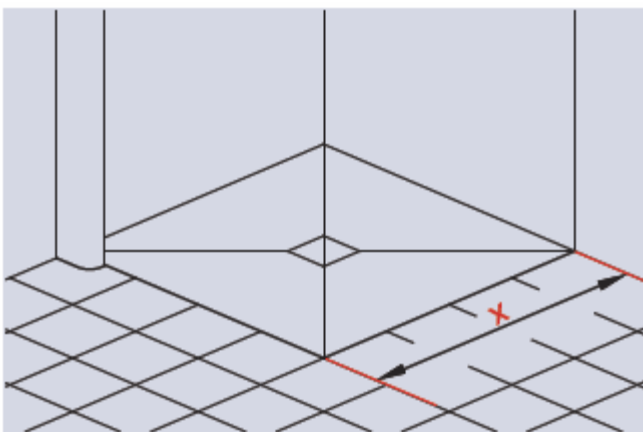
(hinged doors with fixed panels) – left panel AT ESL

in combination with corner entry (hinged doors) –

right panel AT EDR

Please provide precise measurements:

outer edge of the glass to wall



X – outer dimension of the glass to wall

**The outer dimension of the shower enclosure will always match the outer dimension as detailed on your order.**

The width adjustment of the made to measure product makes it possible to compensate for slopes, if the walls are not perfectly straight.

**The exact width adjustment of the made to measure product can be found in the respective table of special measurements.**

Kermi shower enclosures should be installed on a tray or on a tiled floor.

If installed in any other way, care should be taken to ensure proper drainage (i.e. tile cut outs or a slope). If the enclosure is installed on a joint, the joint must be maintenance-free and waterproof. If the enclosure is installed off the floor, all necessary steps must be taken to prevent danger from slipping.