



TECHNICAL DATASHEET

METALPAD FOR PAVING



CLASS A1

Non-combustible Adjustable Height Paving Pedestal

25-53mm

Description

Class A1 MetalPad for Paving, the non-combustible adjustable height pedestals for suspended tile and slab floors on exterior and interior applications.

Galvanised steel pedestals with 4mm or 2mm lugs for adequate drainage to hold paving slabs or porcelain tiles without need for mortar or mechanical fixings, allowing inspection of the underlying surface.

Made with zero plastic and zero rubber content.

Accurate levelling of the floor surface with millimetre precision by twisting the solid M16 threaded stem to adjust the height. To adjust the height, turn the stem and headpiece by bracing the rounded notches on the base plate.

The smooth circular baseplate is 150 mm diameter. This baseplate allows uniform distribution of the load of the upper floor without point loading or risk of punctures. The integrity of the waterproofing system or insulation is protected.

The MetalPad has a locking mechanism on the threaded bar to prevent the headpiece and the baseplate from separating.

If the height of the pedestal needs to be locked at a predetermined level before its installation, a fastening point in the centre of the headpiece can be locked using an M4 Allen Key.

A galvanised steel cap is provided to protect the moving parts from dust and water. The cap should be fitted in the centre of the headpiece by using a rubber mallet.

Material:

Headpiece Electro Galvanised Steel Sheet DC01 EN 10152
Base Plate
Cap

Threaded Stem 16mm diameter Galvanised Steel class 4:8

Fire Rating Class A1 (fl) EC Decision 96/603/EC
 BS EN 13501-1 2018

Building Standards Compliance British Standard (balcony construction) BS 8579
 Approved Document B (amend) 2019

Use / Purpose Suspended paving and tiling projects

Height Range 25-32mm, 32-39mm, 39-46mm, 46-53mm

Base Plate 150mm diameter Circular Base plate with smooth underside
 8 x drilled drainage holes 5mm diameter
 4 x drilled fixing holes 8mm diameter

Lug Dimensions 10mm high, 4mm or 2mm wide

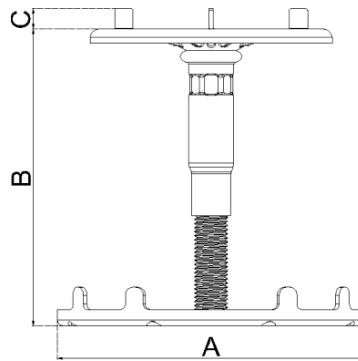
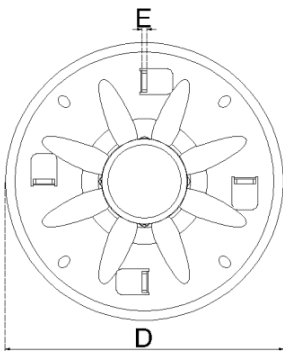
Included Closing cap for headpiece

Weight Tolerance 1,000kg per pedestal – normal load
 2,000kg per pedestal – break point Dynamometer

Durability MetalPad for Paving is manufactured for long-term performance and resistance to corrosion, exposure to elements and to UV rays

Warranty Limited warranty 15 years
 Life span 50 years

Measurements



Code	Description	A	B	C	D	E
SP-MET-D-025-Z	Class A MetalPad - Decking - 25-32mm	150mm	25-32mm	10mm	118mm	4mm
SP-MET-D-032-Z	Class A MetalPad - Decking - 32-39mm	150mm	32-39mm	10mm	118mm	4mm
SP-MET-D-039-Z	Class A MetalPad - Decking - 39-46mm	150mm	39-46mm	10mm	118mm	4mm
SP-MET-D-046-Z	Class A MetalPad - Decking - 46-53mm	150mm	46-53mm	10mm	118mm	4mm



www.wallbarn.com