

# New ideas for your bathroom.

Bathroom renovation with style



**Very neat  
and clean.**



## **Geberit – for great bathroom renovation.**

You want to renovate your bathroom? You want somewhere practical and easier to clean that looks roomier, even if space is limited. There are various ways to implement your ideas: either by updating the individual pieces or a complete bathroom overhaul.

Whatever you decide, the important thing is to be able to rely on solutions that deliver what they promise. At Geberit we have been setting global standards in sanitary technology for over one hundred years. Plumbers the world over value our products. Let us inspire you.

# An overview.

## Choice of position 6



Where to put the cistern – behind or in front of the wall?

## WC flush actuation in the wall 10



When you position sanitary technology behind the wall, you create maximum flexibility for spatial layout.

## Options 12



While a water-saving dual flush is a standard feature today, environmentally friendly odour extraction is the insider tip.

## Sanitary modules 20



For prewall installation: Geberit Monolith sanitary modules are suitable for renovations as well as for new construction.

## Shower area 24



Wet room showers create an elegant feeling of space and also offer convenience. Modern sanitary technology means they can be installed easily and securely.

## Technology 30



Not just for specialists – product and installation considerations.

# Focal point.



**Geberit concealed cisterns**  
For the complete renovation of a WC or bathroom, it is worth the effort to conceal the cistern behind the wall to save room and create a new sense of space. Geberit offers reliable solutions that have been proven a million times over.

# Decisive. Cistern placement.

## **Geberit Monolith sanitary module for WCs**

If you would like to modernise a toilet or a bathroom with the least possible effort, consider the Geberit Monolith sanitary module. The prize-winning innovation combines high functionality with timeless design and can be hooked up to existing connections. Achieving a new feeling of space could not be any simpler.



# WC flush actuation in the wall.





# Consistent.

## Technology that stays invisible.

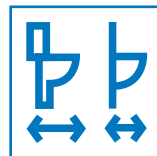


Before you renovate your WC or bathroom, you need to answer a basic question. Should the room appear as open and large as possible? If the answer is yes, you should categorically reposition the cistern, all connections, the shower drain and other drainage behind the wall.



### Simple to clean

The fewer edges, joints and corners, the simpler to clean. Particularly in the WC area, it is better when ceramics are wall-mounted, or mounted to keep the floor space open.



### Generous feeling of space

No matter whether it be a small guest WC or a large bathroom, as soon as the sanitary technology disappears behind the wall, a new feeling of space is created. A beautiful washbasin or an elegant wall cladding makes a stronger statement.



### More space

A cistern takes up a certain amount of space and makes small bathrooms feel cramped. Placement behind the wall opens up space and gives you the chance to follow your own design preferences.



### Lower water consumption

Water consumption can be sustainably reduced with a Geberit dual flush for the WC. In addition, all products from Geberit are known for their very high reliability and durability, which also benefits the environment.

# Generous.

Clear the stage for what you want.

## All about your own ideas

Imagine that you could decide where to place your WC, shower and washbasin without worrying about practical constraints. That's what makes bathroom renovation suddenly twice as much fun, doesn't it? Sanitary technology from Geberit gives you that freedom.





# Options.



# Refreshing.

## Hygiene that gets noticed.

Cleanliness in the bathroom is an important topic. The simpler it is to clean the bathroom, the better. Continuous surfaces uncluttered with appliances are an advantage here, unlike inaccessible corners and edges. Placing the cistern behind the wall moves one obstacle out of the way. And a WC installed above the floor gets rid of a second.

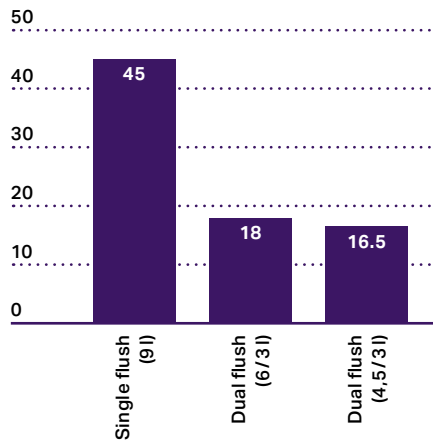


# Child's play.

## Saving water without sacrificing comfort.

Sanitary technology from Geberit stands out for qualities such as how it conserves water. The number one water-saving feature here is the Geberit cistern. Overall, dual flush systems installed world-wide conserve more than 4 billion litres of water daily in comparison to traditional 9-litre flushing systems – most of which is drinking water quality.

**WC flush volume**  
 Ø water consumption in litres  
 per person per day



To help consumers recognise the most water efficient fixtures for their home based on their water efficiency rating, the WELL and Water Labeling schemes have been incorporated to promote responsible water usage

Many of Geberit's dual flush plates and concealed cisterns carry the WELL and Water Label logos and many of the products at Geberit meet the highest level.

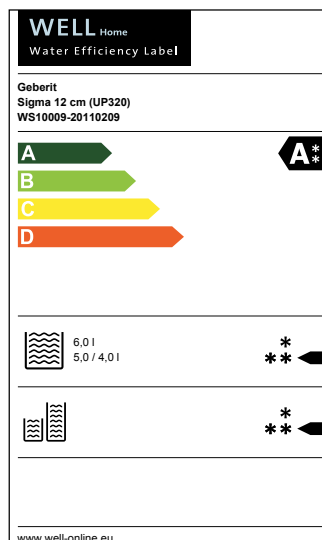
For more information visit:  
 → [www.geberit.co.uk/watersaving](http://www.geberit.co.uk/watersaving)



### Water label scheme

The Water Label scheme aides governments in their quest to reduce water consumption. You can use the Water Label to identify and compare more efficient bathroom fittings such as taps and WCs through an online database to help conserve water and save your costs.

For more information about Water Label visit:  
 → [www.europeanwaterlabel.eu](http://www.europeanwaterlabel.eu)



### WELL classification

WELL is a product classification system of the European sanitary valve industry, giving clear reliable reference for consumers and creating a platform to make the water and energy efficiency of a sanitary fitting transparent. The ratings are displayed with stars, the more WELL stars, the more water efficient the product.

For more information about WELL visit:  
 → [www.well-online.eu](http://www.well-online.eu)





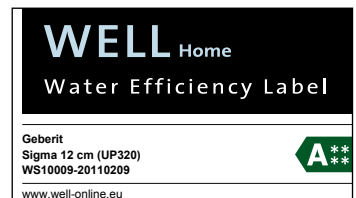
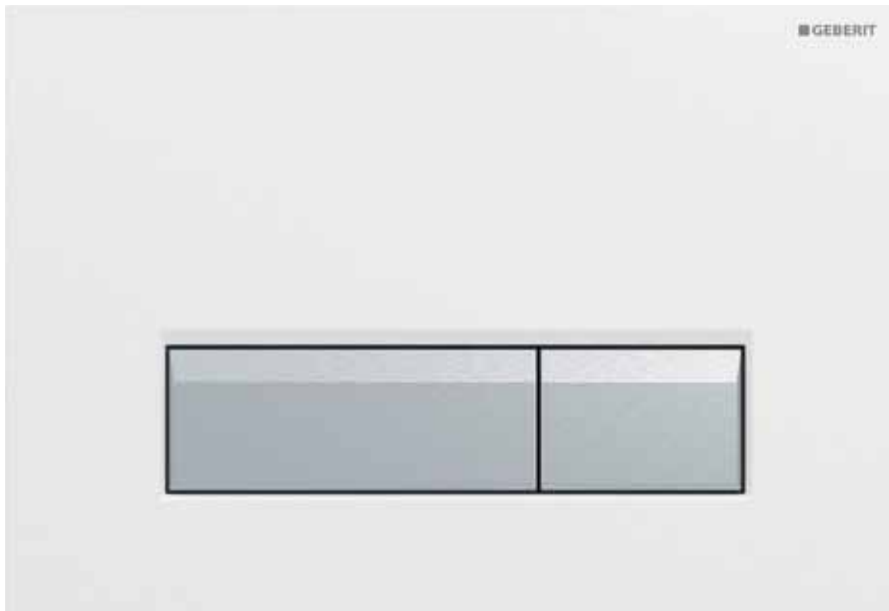
### Direct odour extraction

Geberit DuoFresh brings a new quality to your bathroom: continuous fresh air! The system's secret is hidden – once again – behind the wall. A device integrated in the cistern module suction off the air directly from the WC ceramic, cleans it with an active carbon filter and returns it to the room completely odour-free. That means odours are not simply covered up like they are with air fresheners. Opening windows to air the room is also no longer necessary.



# Pleasant-smelling. Fresh air installed.

The odour extraction unit is activated with a readily accessible switch behind the flush plate. The plate itself can be opened with a single hand movement, enabling access to the replaceable active carbon filter and to the insert for in-cistern blocks.



**DESIGN PLUS**  
powered by: **ISH**



# Geberit Monolith.



# Amazingly simple. And versatile combinations.



For Geberit Monolith WC



Stylish design in the bathroom requires no elaborate installations. With Geberit Monolith sanitary modules, the entire technology is located in slim, high-quality elements that are simple to install and offer great design flexibility. With coloured safety glass, available in black, white, umbra or mint, and combined with a beautifully designed ceramic\* for wall-hung WCs, the Geberit Monolith cuts a perfect figure in any bathroom. The internationally award-winning design unit can also be combined with the Geberit AquaClean 8000 or 8000plus.



product design award

2012



reddot design award winner 2012

\*A list of compatible WCs can be found at  
→ [www.geberit.co.uk](http://www.geberit.co.uk)

# Strong design. Compliments guaranteed.



## For soft renovations

Are not only the floor but also the wall tiles of your bathroom are in top condition and timelessly beautiful? What a pity to have to pry them off when renovating your bathroom. Not only that, but neither the cistern nor the pipe connections can be concealed behind the wall. The solution for such a situation? Geberit Monolith. High-quality and well-designed Geberit sanitary modules can be mounted on existing connections and enable a quick but effective renovation of your bathroom.



Delta'11  
Awards  
△  
Selection

product  
design award

2012



## Modern, clean look

The Geberit Monolith sanitary modules create a tidy, orderly look, make cleaning easy and contain state-of-the-art, environmentally friendly sanitary technology.



# Inspiring.

Virtually unlimited design freedom.



Unlike your living room furniture, bathroom fixtures cannot be repositioned without construction work. Which is why it is important to carefully plan a bathroom renovation. With sanitary technology from Geberit, you can optimally utilise existing space. Plus, thanks to innovative installation system technology, you can install the sanitary technology where it makes the most sense. But the solutions from Geberit offer more than just maximum flexibility in the use of space. You have great freedom to lend your bathroom a personal touch in your selection of washbasins, WC ceramics, taps and other options.





# Shower area.



A wetroom shower is very elegant, particularly where space is at a premium. Because the threshold of a conventional shower tray disappears, the bathroom becomes roomier – and you gain in freedom of movement and comfort. But creating such a shower usually involves considerable effort and expense. With a Geberit shower frame, the creation of a wetroom shower is relatively simple. The water outlet is placed in the wall, which means that the floor becomes a continuous, closed surface.



# Liberating.

## Optimally positioned water outlet.

### The Geberit shower frame

With the Geberit shower frame, the water outlet is located in the wall. A hair trap is located behind a simple cover plate that is easy to remove for uncomplicated, fast cleaning. This visually and technically convincing solution considerably simplifies the construction of a reliably sealed shower area.



product  
design  
award

2010



Designpreis  
Deutschland  
2011  
NOMINIERT

DESIGN PLUS

powered by: ISH

# Practical. Integrated wall drain.



**The new trend: wetroom showers**  
The Geberit shower channel is also an elegant solution for wetroom showers and is equipped with proven technology from Geberit. Room and wall models are available in numerous dimensions to match different shower drain sizes and configurations. The stainless steel cover sets a stylish accent in every modern bathroom. In addition, the cover can be individually tiled.

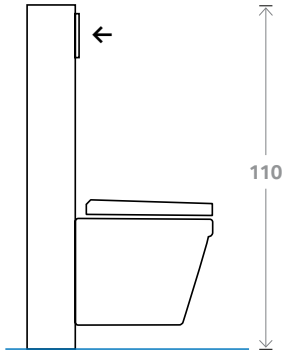


**Geberit shower frame – four covers for your own look**  
The cover plate of the wall drain is available in four versions: select from bright chrome-plated, brushed stainless steel, white alpine or bespoke.



# Versatile. Flushing with style.

## Flush plates For Geberit Sigma concealed cisterns (UP320/UP720)



Only a small selection of the total colour product range is shown here.

Learn more about the Geberit product range and visit our flush plates configurator under

→ [www.geberit.co.uk/wall-hung](http://www.geberit.co.uk/wall-hung)

### Sigma01

- Flush technology: dual flush
- Dimensions: 246 mm x 164 mm



→ 115.770.11.5  
Product material: plastic  
**white alpine**



→ 115.770.21.5  
Product material: plastic  
**gloss chrome**



→ 115.770.DW.5  
Product material: plastic  
**jet black RAL 9005**

### Sigma10

- Flush technology: single flush
- Dimensions: 246 mm x 164 mm



→ 115.758.KL.5 **New**  
Product material: plastic  
**white / matt chrome / matt chrome**



→ 115.758.KM.5 **New**  
Product material: plastic  
**black / gloss chrome / black**



→ 115.758.KN.5 **New**  
Product material: plastic  
**matt chrome / gloss chrome / matt chrome**

### Sigma20

- Flush technology: dual flush
- Dimensions: 246 mm x 164 mm



→ 115.778.KK.1  
Product material: plastic  
**white / gold-plated / white**



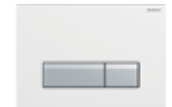
→ 115.778.KM.1  
Product material: plastic  
**black / gloss chrome / black**



→ 115.778.SN.1 **New**  
Product material: stainless steel  
**brushed stainless steel / polished / brushed**

### Sigma40

- With integrated odour extraction unit
- Flush technology: dual flush
- Dimensions: 266 mm x 182 mm



→ 115.600.KQ.1  
Product material: plastic  
**white / aluminium-brushed**



→ 115.600.SQ.1 **New**  
Product material: glass  
**umbra glass / aluminium**



→ 115.600.SJ.1 **New**  
Product material: glass  
**black glass / aluminium**

### Sigma50 customer-specific

- Flush technology: dual flush
- Dimensions: 246 mm x 164 mm



→ 115.788.00.1  
Product material: die-cast zinc  
**For customised finish**



**Example of customer-specific surface**



**Example of customer-specific surface**

### Sigma60

- Flush technology: dual flush
- Dimensions: 221 mm x 139 mm



→ 115.792.GH.1  
Product material: die-cast zinc  
**brushed chrome**

### Sigma80

- Flush technology: dual flush
- Dimensions: 247 mm x 164 mm



For Geberit Sigma **New** concealed cisterns 12 cm (UP320)  
→ 116.090.SG.1  
Product material: glass  
**black glass**

For Geberit Sigma concealed cisterns 8 cm (UP720)  
→ 116.091.SG.1  
Product material: glass  
**black glass**



For Geberit Sigma **New** concealed cisterns 12 cm (UP320)  
→ 116.090.SM.1  
Product material: glass  
**reflective glass**

For Geberit Sigma concealed cisterns 8 cm (UP720)  
→ 116.091.SM.1  
Product material: glass  
**reflective glass**

### Bolero

- Flush technology: dual flush
- Dimensions: 246 mm x 164 mm



→ 115.777.11.1  
Product material: plastic  
**white alpine**



→ 115.777.EP.1  
Product material: plastic  
**pergamon**



→ 115.777.21.1  
Product material: plastic  
**bright chrome-plated**

## Sigma50

- Flush technology: dual flush
- Dimensions: 246 mm x 164 mm



- 115.788.DW.5 **New**
- Product material: die-cast zinc, PMMA
- jet black RAL 9005**

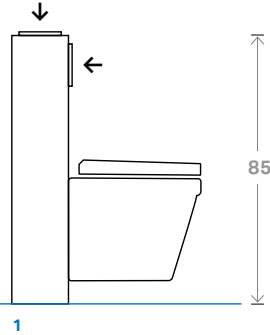


- 115.788.SD.5 **New**
- Product material: die-cast zinc, smoked glass
- smoked glass reflective**



- 115.788.GH.5 **New**
- Product material: die-cast zinc, brass
- brushed stainless steel**

## Flush plates and flush buttons For Geberit Kappa concealed cisterns (UP200)



## Kappa20

- Flush technology: dual flush
- Dimensions: 213 mm x 142 mm



- 115.228.DK.1
- Product material: plastic
- edelweiss**



- 115.228.CG.1
- Product material: plastic
- manhattan**



- 115.228.GM.1
- Product material: plastic
- satinox**

## Kappa21

- Flush technology: dual flush
- Dimensions: 212 mm x 142 mm



- 115.240.KL.1
- Product material: plastic
- white / matt chrome / matt chrome**



- 115.240.KH.1
- Product material: plastic
- gloss chrome / matt chrome / gloss chrome**



- 115.240.KM.1
- Product material: plastic
- black / gloss chrome / black**

## Kappa50

- Flush technology: dual flush
- Dimensions: 211 mm x 142 mm



- 115.260.21.1
- Product material: die-cast zinc
- gloss chrome**



- 115.260.46.1
- Product material: die-cast zinc
- matt chrome**



- 115.260.HC.1
- Product material: die-cast zinc
- palladium**

## Tango

- Flush technology: stop-and-go flush
- Dimensions: 246 mm x 164 mm



- 115.760.45.1
- Product material: die-cast zinc
- gold-plated**



- 115.760.GM.1
- Product material: die-cast zinc
- satinox**



- 115.760.HC.1
- Product material: die-cast zinc
- palladium-plated matt**

## Flush buttons



- 115.941.11.1
- white alpine**
- Product material: plastic
- Flush technology: single flush
- pneumatic flush actuation
- External dimension: 108 mm x 108 mm



- 115.942.11.1
- white alpine**
- Product material: plastic
- Flush technology: dual flush
- pneumatic flush actuation
- External dimension: 108 mm x 108 mm



- 115.999.21.1
- gloss chrome**
- Product material: plastic
- Flush technology: dual flush
- pneumatic flush actuation
- Ø 80 mm



- 115.075.21.Z
- gloss chrome**
- Product material: die-cast zinc
- Flush technology: dual flush
- mechanical flush actuation
- Ø 65 mm



- 115.114.21.1
- gloss chrome**
- Product material: plastic
- Flush technology: single flush
- pneumatic flush actuation
- Ø 62 mm

# Systematic.

## Step by step to the finish.

**Geberit Installation systems have proven themselves a million times over and enable safe and simple conversions. They create stability and space for the sanitary technology and all necessary connections. They also offer you the option to adapt the room layout or WC seat height to your own requirements.**

### On the cistern behind the wall

The core of the Geberit installation systems is the concealed cistern. It is located behind the wall and must be leakproof and function perfectly for the long term. No wonder that even the smallest detail has been carefully considered for the product. For example, the water tank is manufactured as one single piece and every tank is thoroughly checked for leaks before it leaves the factory.

### Simple maintenance, and spare part satisfaction

If servicing is required, the filling valve and the flush valve system can be readily dismantled and reinstalled through the service opening behind the flush plate. And with Geberit Sigma cisterns - all that can be done without tools. Geberit guarantees 25-year replacement availability for all function-maintaining parts for concealed cisterns.

### Enormous load bearing capacity, individual seat height

Concealed cisterns are factory-installed in a robust installation frame made of high-quality steel. The frame is designed for loads of up to 400 kg and securely supports wall-hung WC ceramics. It also allows for individual height adjustment so that the WC ceramic can be mounted precisely at the height you find most comfortable.

### Compatible with most WC ceramics

Most of the ceramics for wall-hung WCs available on the market can be fastened to Geberit Duofix installation frames without the need for any adjustments.



### 1 System rails

The system rails are anchored to the wall and the floor.

### 2 Frames

The Geberit Duofix frames are hung in the system rails, adjusted precisely to the millimetre and then fastened in place.

### 3 Connections

The connections for hot and cold water and the discharge pipes are fastened in place.

### 4 Panelling

Completely pre-equipped installation walls are panelled with plasterboard. Next, the floor and walls are covered with the new surfaces of your choice. The ceramics and the taps are only mounted as the last step.

#### **Don't forget: electrical connection.**

Have an electrical connection installed in the vicinity of the WC or the wash basin. Then your bathroom will be ready for a future installation of Geberit AquaClean, the WC that cleans you with water and the Sigma80 touchless flush plate.



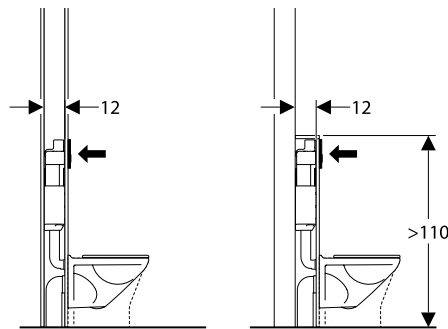
Visit us at → [www.geberit.co.uk](http://www.geberit.co.uk) to view numerous installation videos that show you step-by-step installation procedures.

# Thinking outside of the box.

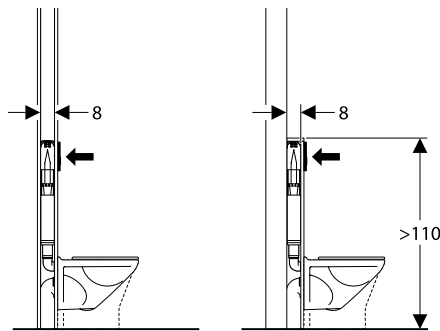
## Solutions for every construction situation.

Whether it be under windows or sloping roofs, in a corner or on a free-standing wall, systems and products from Geberit give you practically unlimited possibilities. Installations behind the wall lend elegance and increased space; part-height prewall installations offer additional storage possibilities.

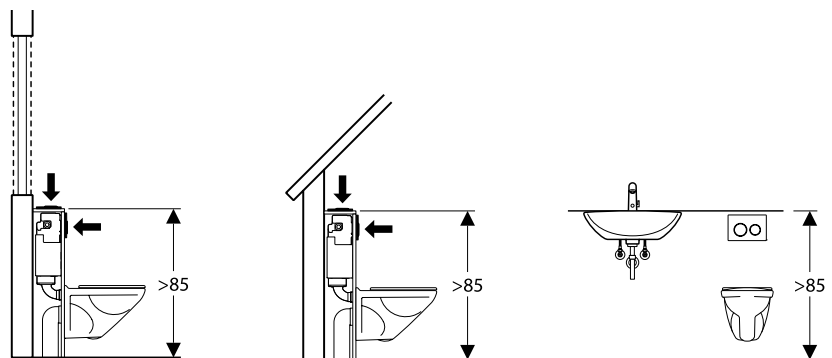
Standard solution (behind the wall or in front of the wall), flushing actuation from the front.



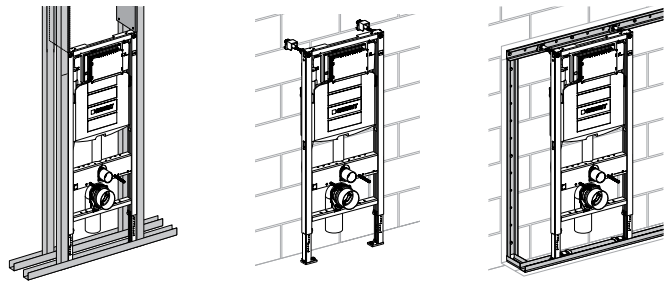
Solution for thin wall constructions (8 cm) or for space-saving installation in front of the wall, flush actuation from the front.



Solution for low installation heights (> 85 cm), front or top flush actuation.







**Geberit Duofix installation frames are suitable for all drywall construction situations. In combination with Geberit Duofix system rail and Geberit Duofix studs, it is possible to create complete room-height prewalls or partition walls.**

**Geberit Duofix**  
Frame for wall-hung WC with  
Sigma cistern 12 cm (UP320)  
→ 111.383.00.5



**Geberit Duofix**  
Frame for wall-hung WC with Sigma  
cistern 8 cm (UP720)  
→ 111.729.00.1

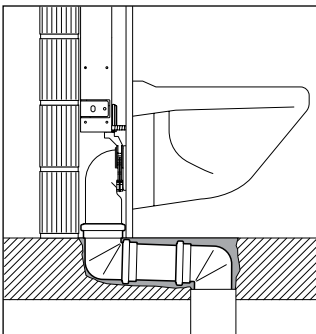


**Geberit Duofix**  
Frame for wall-hung WC with  
Kappa cistern 15 cm (UP200)  
→ 111.242.00.1

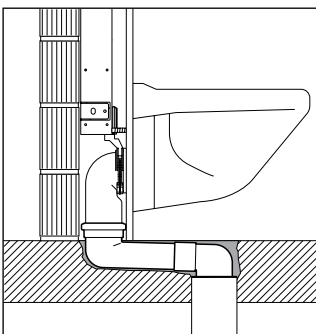


# Carefully conceived. To the last detail.

There are millions of Geberit concealed cisterns in use around the world, and that number grows on a daily basis. It is unlikely that there is a construction situation or challenge that this type of cistern cannot elegantly resolve. Whether it be moving existing connections, changing from floor standing to wall-hung installation or placement in a corner – Geberit products have an answer for every problem. These include height adjustment in the finished bathroom or solutions for barrier-free construction.



Conventional pipe connection



With Geberit S-bend



### Floor connection becomes wall connection

A conversion from a floor-mounted to a wall-hung toilet can be a very expensive endeavour if the current drain is located in the floor. To resolve this problem, Geberit has developed an ultra-flat connecting fitting that enables a ceramic for wall-hung WCs to be connected to an existing floor drain with minimal construction modifications.



### Furniture installation

Duofix furniture frame for the installation of wall-hung WCs with bathroom furniture. Minimum height of 79cm and suitable for 50cm wide WC units (46.5cm internal dimension). Comes with pneumatic dual flush button.

→ 111.706.00.1

### Barrier-free

Duofix frame for the installation of a wall-hung WC accessible to disabled persons. Adjustable installation height of the WC for barrier-free construction conditions. The reinforced construction enables the installation of wall-mounted WCs with a projection (depth) of more than 62 cm.

→ 111.352.00.5



### Corner frame

Duofix WC installation frame for installation in a corner. Also suitable for a one-sided wall fixation, e.g. next to a bathtub.

→ 111.399.00.5

### Odour extraction unit

Geberit DuoFresh adds an effective odour extraction device to the concealed cistern. A switch on the Sigma40 flush plate activates the odour extraction unit. The air is purified by means of an active carbon filter and is subsequently released back into the room.

→ 111.353.00.5

# Simple installation.

## Geberit Monolith sanitary modules overview.

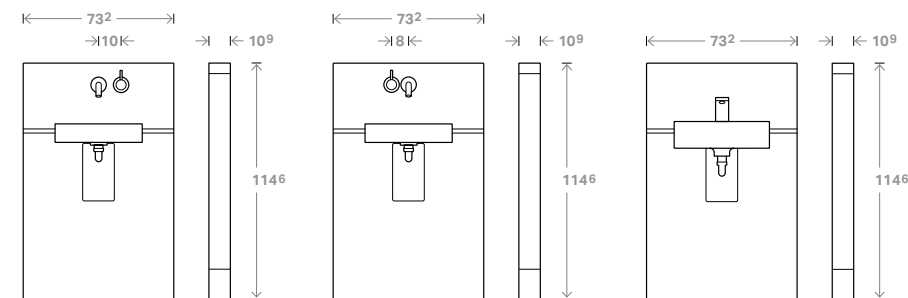
Don't leave anything to chance with the planning of your dream bathroom. An overview of all colours, styles and dimensions for individual Geberit Monolith sanitary modules will help you make your dream come true.

### Colour palette



## Geberit Monolith for washbasins

The Geberit Monolith sanitary module for washbasins can be combined with a multitude of ceramics as well as wall-mounted and deck-mounted taps.

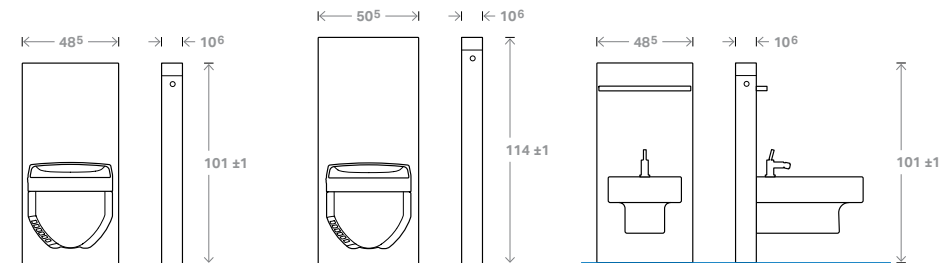


### Washbasin range of models

	Wall-mounted tap, right for taps with holes 10cm apart	Wall-mounted tap, right for taps with holes 8cm apart	Deck-mounted tap
No drawer	131.043.xx.1	131.047.xx.1	131.051.xx.1
Drawer left	131.040.xx.1	131.044.xx.1	131.048.xx.1
Drawer right	131.041.xx.1	131.045.xx.1	131.049.xx.1
Drawer left and right	131.042.xx.1	131.046.xx.1	131.045.xx.1
Dual towel rail for Geberit Monolith sanitary module for washbasins, manufacturer EMCO "Loft" series		Length 31 cm 131.109.21.1	Length 41 cm 131.110.21.1

## Geberit Monolith for WCs and bidets

### WC and bidet range of models



	WC height 101 cm	WC height 114 cm	Bidet 101
For wall-mounted ceramics	131.022.xx.1	131.031.xx.1	131.030.xx.1
For Geberit AquaClean 8000(plus)	131.023.xx.1	131.032.xx.1	

**1 Fasten frame in place**

Position Geberit Monolith frame precisely in place and fasten to the wall.

**2 Water supply**

Connect cistern to fresh water pipe.

**3 Glass plate**

Fasten the front plate made of safety glass and side parts made of aluminium to the Monolith frame.

**4 Waste water**

Adjust flush and discharge bends to existing connections and to the WC ceramic and install.

**5 WC ceramic appliance**

Connect the WC ceramic to the Geberit Monolith and screw to the floor.

**6 Commissioning**

The new toilet can be used just after a few hours later.



Visit us at → [www.geberit.co.uk](http://www.geberit.co.uk) to view numerous installation videos that show you step-by-step installation procedures for the Geberit Monolith.

# Tasteful.

## Good design, easily installed.

---

**Geberit Duofix shower frame with wall drain for concealed or surface-mounted taps**

Taps: Surface-mounted or concealed

Insert: Part-height or room-height drywalls

→ 111.731.00.1



---

**Geberit Duofix shower frame with wall drain for concealed or surface-mounted taps**

Taps: Type and position can be freely selected

Insert: Part-height or room-height drywalls. For installation into wooden floors.

→ 111.743.00.1



---

**Design cover**

Insert: for all shower elements

→ Brushed stainless steel (FW)

→ Gloss chrome (21)

→ White alpine (11)

→ Tile bearing according to customer specifications (00)

Can be removed for easy cleaning of the hair trap

→ 154.330.XY.1



### 1 Rough installation

Mount the Geberit shower element and adjust the height of the outlet unit.

### 2 Connections

Connect the outlet with the waste water system.

### 3 Set screed

The slope of the screed to the wall drain should be 1–2 %.

### 4 Seal

The installation wall is panelled once the screed has been laid. Now remove the protection box, adjust the sealing flange and glue on the sealing level.

### 5 Tile the wall and floor

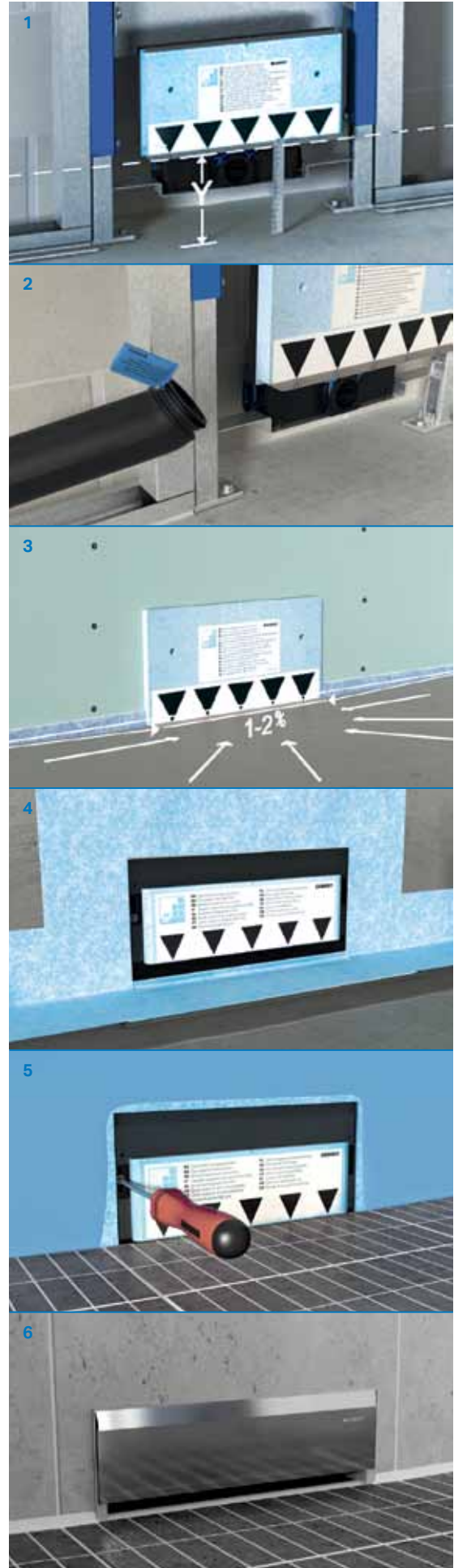
Now the entire shower area can be professionally sealed and then tiled.

### 6 Set the design cover in place

Exact adjustment to the level of the wall tile thickness is done with the sight frame. Now put the hair trap in place, set design cover in place and that's it.

Visit us at → [www.geberit.co.uk](http://www.geberit.co.uk) to view installation videos that show you step-by-step how to install the Geberit shower frame.

For information about suitable flooring solutions contact Geberit on 01926 516800.



# Care in the square

Geberit creates a sustainable quality of life with innovative water management, comprehensive know-how and a strong focus on sustainability – across all products, sectors and processes.

It's an approach that really pays off for the environment and society, as well as customers, partners and for employees. Our examples include products for green buildings - a market of the future - ethically aware training, outstanding logistics and every drop of water saved by Geberit products worldwide.

That's what «Care in the square» means to us.







## **In conclusion, a recommendation.**

Renovating a bathroom is a major investment. Consequently, the new bathroom should give you pleasure over a long period. It must also serve the intended purpose if your living circumstances change for whatever reason. And, of course, you expect the installed sanitary technology to function perfectly at all times.

To ensure all of this, you should involve a recognised designer and installer in your renovation project. These specialists know Geberit sanitary technology and know what to pay attention to in order to achieve the perfect installation of our high-quality products and systems.

We wish you great pleasure and refreshment in your new bathroom.

---

Everything that Geberit manufactures is based on cutting edge knowledge and experience – something that only the best in the industry can have. Precision, know-how and pleasure in innovation have characterised Geberit products and systems for generations since 1874. Solutions synonymous with reliability and advanced sanitary technology hold many advantages for installers, designers and homeowners alike.

### **Know-how is knowledge and experience – applied in practice:**

- **Perfectly coordinated system technology gives customers complete freedom of design when realising architectural visions.**
- **Customers and the environment benefit sustainably from low water consumption, durable installations and low operating expenses.**
- **It is not least because we provide more than 80,000 plumbers with further training each year in our 25 training centres that Geberit sanitary technology is installed perfectly.**



**Geberit Sales Ltd**  
**Geberit House**  
**Academy Drive**  
**Warwick**  
**Warwickshire**  
**CV34 6QZ**

**T: 0800 077 8365**  
**F: 0844 800 6604**  
**Eire: +44(0)1926 516 800**  
**Literature: 0800 007 5133**

→ [www.geberit.co.uk](http://www.geberit.co.uk)

