

AES-System

Architecturally Exposed Steel

Structural System

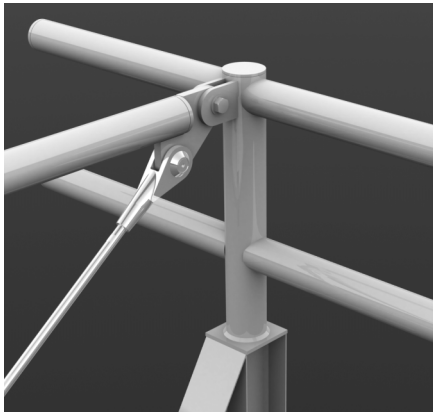
NOVUM



AES-System

Architecturally Exposed Steel

Structural System



System Components

01. Mild steel is typically fabricated in accordance with AESS requirements
02. Finishes can be painted or powder coated depending on size and substrate
03. Profiles can be standard or custom built

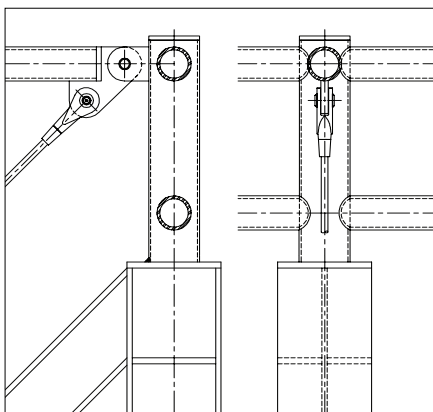


Applications

01. Used in custom applications where standard systems are not applicable
02. A requirement exists for larger elementized pieces
03. Where connections and finishes are crucial for specific design criteria
04. Primarily used where geometries are not too complex

System Attributes

01. High quality architectural steel work
02. Accommodates curved components
03. Tapered profiles and oblique angle connections achievable
04. Manufactured in Novum facilities or by strategic global partners to Novum quality standards
05. Factory finishing and careful packaging reduces the requirements for field painting
06. Designed and produced by a systems oriented team with expertise in quality of details, finishing and installation
07. Structures are designed by Novum's in-house engineers
08. Integrates with all Novum Glazing Systems and Structural Component Systems



Options/Materials/Finishes

01. Available in different levels of weld quality
02. Standard product is primed and painted mild steel with a high performance polyurethane top coat
03. Product available in stainless steel or mild steel
04. Hot dip galvanizing is available as a substrate for additional corrosion protection

Front: First National Center, NE
Architect: Leo A. Daly