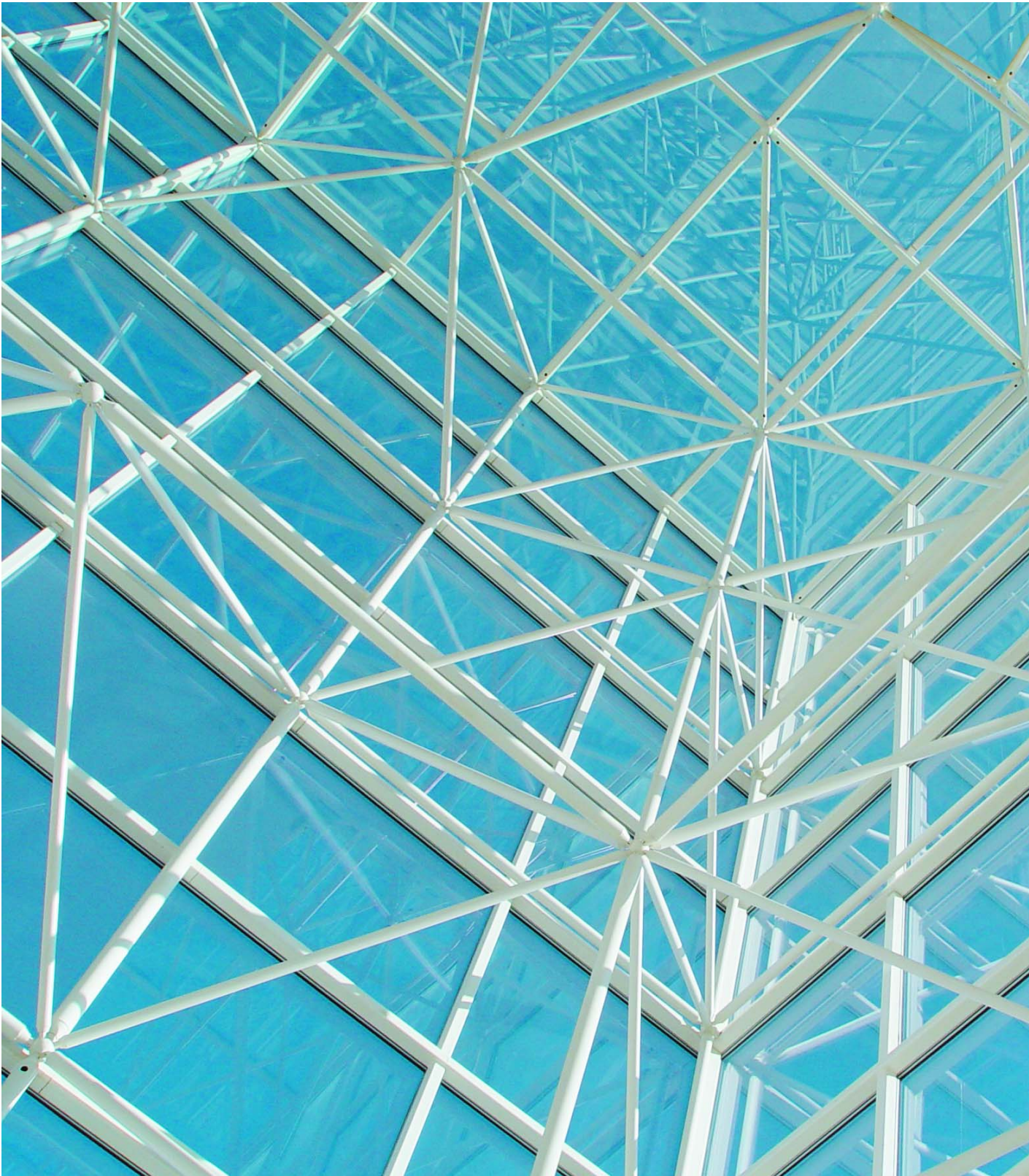


ASG-System

Aluminum Supported Glass

Glazing System

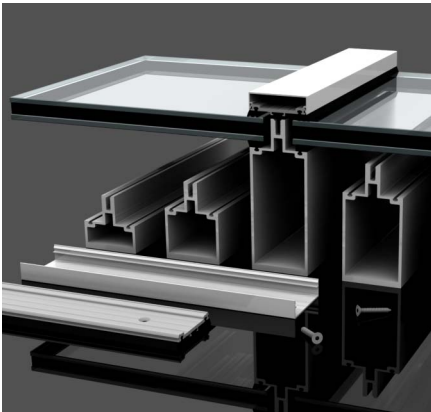
NOVUM



ASG-System

Aluminum Supported Glass

Glazing System



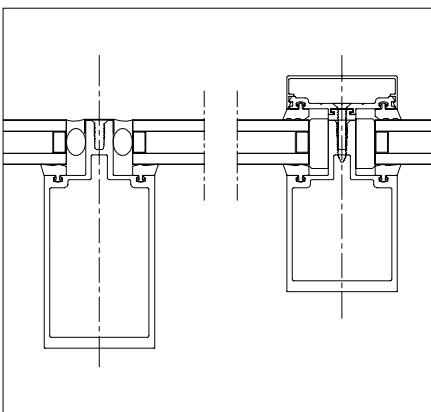
System Components

01. Traditional glazing system using aluminum profiles and gaskets
02. Aluminum is Grade 6061T6
03. Fasteners are typically Grade 304 stainless steel
04. Gaskets are EPDM or silicone compatible rubber
05. Panels can be glass or opaque panel/plate products
06. Novum Structures designs but does not manufacture aluminum supported glass. Novum purchases these items from experienced strategic partners on all continents



Applications

01. Vertical, overhead and sloped glazing
02. Typically the aluminum provides a linear support structure to all edges of the glass
03. Used where flat panels require support along their edges
04. Well suited to simple geometries and conventional angular changes in surface planes



System Attributes

01. Traditional glazing methodology with wide range of off the shelf aesthetics
02. External aesthetic is 2 sided capped, 4 sided capped or flush glazed
03. Glass panels are typically designed using standard manufacturer's tables
04. Width of profile accommodates a lenient glass fit in the design and field
05. Can meet Florida code approval for enclosures
06. Readily available from many global partners
07. Integrates fully with many Novum Structural Systems

Options/Materials/Finishes

01. Glass can be monolithic, laminated or insulated in any thickness
02. Many glass coatings and frit patterns are available
03. Standard finish and material is clear anodized aluminum
04. Cap plates are aluminum
05. Profile color coating options are available using anodizing, acrylic or Kynar

Front: Cyprus Credit Union, UT
Architect: Gillies Stransky Brems Smith Architects