

BB-System

Beam to Beam

Structural System

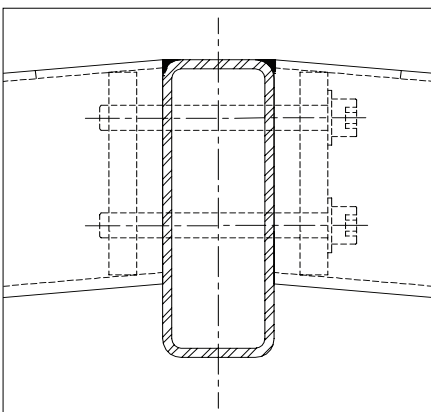
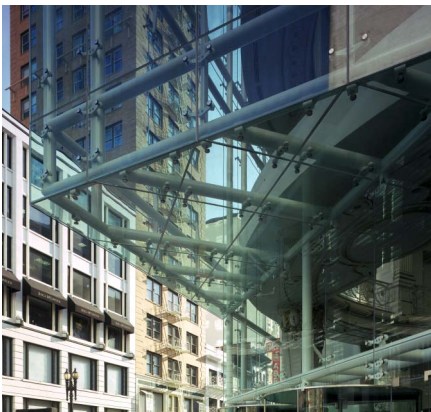
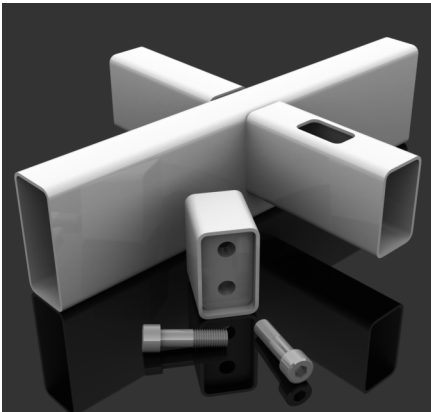
NOVUM



BB-System

Beam to Beam

Structural System



System Components

01. Nodeless system typically using hollow sections as structural members
02. Hot dip galvanized and liquid painted members are standard
03. Concealed high strength steel fasteners with dacromet corrosion coating
04. Bolts are typically DIN 912 Grade 10.9 or A490

Applications

01. Single layer grid type structures requiring bending moment connections
02. Typically used for regular form planar geometries
03. Frequently used as a simple infill component for Novum Block Knoten or Free Form Systems
04. Where nodeless solutions are desirable

System Attributes

01. Contemporary hidden connection design aesthetic
02. Hidden bolted connections which structurally permit close to the full section capacity to be developed
03. Semi rigid or bending stiff connections provide excellent stability and good spanning capability
04. Structural profiles are optimized using varied wall thicknesses
05. Grid sizes are determined by applied loading or cladding type
06. Readily designed to achieve modest angular changes in surface planes
07. Structures are designed by Novum's in-house engineers
08. Integrates fully with Novum Edge Clamped Glass, Linear Supported Glass, Point Supported Glass Systems and other Novum Structural Systems

Options/Materials/Finishes

01. Finish options include high performance polyurethanes or polyester powder coating over hot dip galvanizing
02. Alternative finishes and materials are without galvanizing or stainless steel
03. Access holes can be capped or open