

LSG-System

Linear Supported Glass

Glazing System

NOVUM

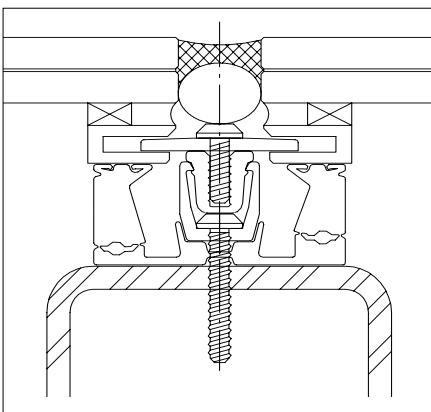
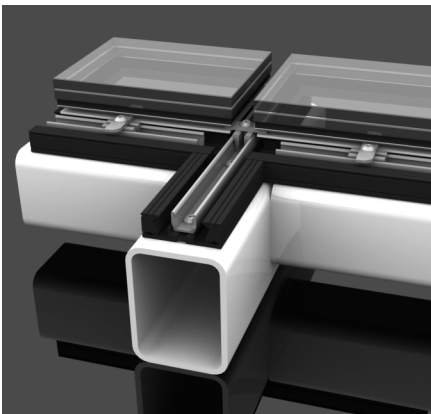




**LSG-System**

**Linear Supported Glass**

Glazing System



**System Components**

01. Novum EPDM setting gasket with butyl sealant provides a secondary water barrier
02. Cap plates are optional and can be aluminum or Grade 316 stainless steel
03. Internal aluminum extruded fastening channel for weather capping and/or dead load
04. Glass panels mechanically attach to the substructure with hidden Grade 304 stainless toggle fasteners
05. Silicone joints comprised of wet silicone and extruded silicone gaskets

**Applications**

01. Vertical, overhead and sloped glazing
02. Used where direct attachment to a structure is desirable
03. Used where flat panels can be continuously supported along their edges

**System Attributes**

01. Better transparency as the contemporary skin system can be directly integrated to the primary structure thereby decreasing layering effects
02. Minimal glass joint widths
03. Insulated glass can be attached with special inset in the spacer or can utilize a back channel
04. Panels can be 2, 3 or 4 sided support
05. The 2 sided support option allows glass to glass joints in one direction
06. Architectural options include a flush glazed aesthetic or 2 or 4 sided decorative caps
07. Glass panels are designed using finite element analysis for maximum safety
08. Large panel sizes and loads can be accommodated by increasing the number of toggle fasteners
09. Well suited to minor angular changes in surface planes
10. Integrates fully with most Novum Structural Systems and is typically used with Architecturally Exposed Steel, Block Knoten or Beam to Beam Systems

**Options/Materials/Finishes**

01. Glass can be monolithic, laminated or insulated in varied thicknesses
02. Many glass coatings and frit patterns are available
03. Standard EPDM gasket is black with dark gray as an option
04. Cap plates are powder coated aluminum as standard. Options include stainless steel #4, #8 or bead blasted

Front: Overture Hall Performing Arts Center, WI  
Architect: Pelli Clarke Pelli Architects