

PSG-System

Point Supported Glass

Glazing System

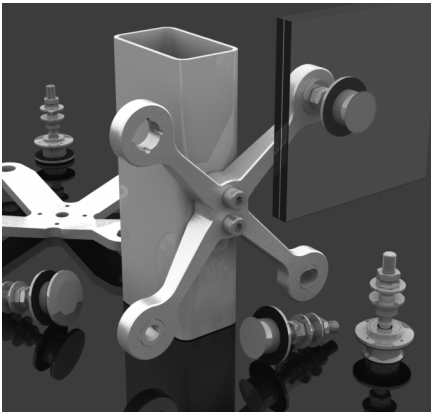
NOVUM



PSG-System

Point Supported Glass

Glazing System



System Components

01. Grade 316 stainless steel glass fixing bolts can be rotational (rotules) or fixed
02. Wide variety of cast or plate connecting arms in stainless, mild steel or aluminum
03. Panels can be glass or opaque stiff panel/plate products
04. 100% silicone joints comprised of wet silicone and extruded silicone gaskets

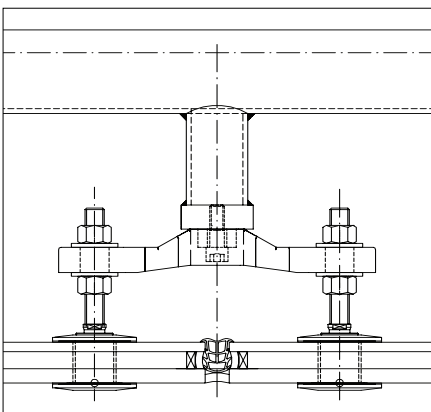
Applications

01. Vertical, overhead, suspended and sloped glazing
02. Where highly optimized structures are to be glazed



System Attributes

01. Very clean technology design aesthetic
02. Minimal glass joint widths with no interruption of glass edges
03. Nominal interruption of glass surface for maximum transparency
04. Free air flow around the interior glass surface reduces condensation
05. Glass panels are designed using finite element analysis for maximum safety
06. Rotational fittings enable larger panel sizes and accommodate bigger structural movements
07. Individual panels are statically determinate
08. Many items are stocked for fast track scheduling
09. Carries Florida product approval
10. System applications are designed by Novum's in-house engineers
11. Integrates fully with all Novum Structural Systems



Options/Materials/Finishes

01. Glass can be monolithic, laminated or insulated in any thickness
02. Panels can be fixed countersunk flush surface or have raised button fixings
03. Many glass coatings and frit patterns are available
04. Stainless arms can be electro-polished, satin or bead blasted
05. Mild steel arms are painted and/or galvanized

Front: Sea-Tac International Airport, WA
Architect: Fentress Bradburn Architects, Ltd.