



jaga

PLAY

Energy
SAVERS
LOW-H₂O

BROCHURE £ UK 2013





Energy
SAVERS
LOW-H₂O

PLAY

Playful warmth, colourful comfort

- Completely pre-assembled and mounted casing, consisting of painted MDF panels with aluminium spacer rings.
- Standard pencil-proof grille, to prevent small objects or waste falling into the casing.
- Optional protective base grille.
- Optional integrated valve with thermostat in the front panel or for remote control.
- Connections can be completely concealed within the casing.
- Low-H₂O technology with super conductive and ultra fast heat exchanger for low energy consumption and maximum heat emission.
- Twin Power for better compensation of the downward cold air flow next to glazed façades or ventilation grilles.
- DBE model for super-low water temperatures from 28°C.
- Safe surface temperature.
- **A 30 year guarantee** on the heat exchanger.



PLAY PIANO



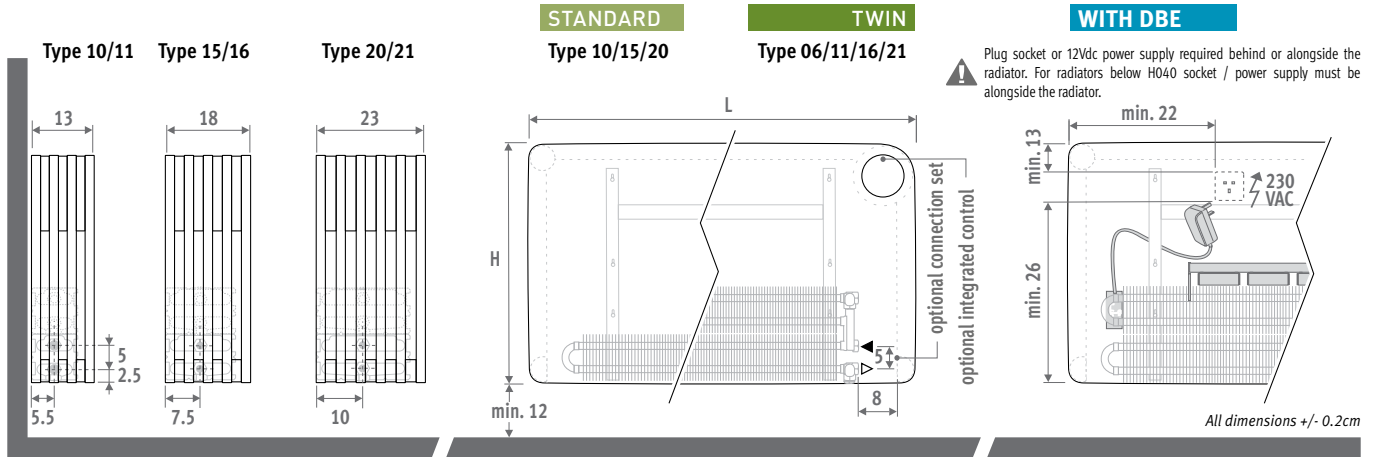


PLAY

PLAY



DIMENSIONS (in cm)



DELIVERY

Delivered in a cardboard box, which can also be used as protection on site after installation. Standard delivery:

- Low-H₂O heat exchanger with wall brackets and fixing kit, air vent 1/8" and drain plug 1/2"
- one piece casing, completely mounted, consisting of lacquered MDF panels with anodised aluminium spacer rings
- pencil-proof grille

Delivery with DBE:

- number of DBE unit(s) varies according to the length
- operation, control and power supply 12VDC
- mounting instructions
- packed with the radiator

COLOURS

Scratch resistant polyurethane finish with a soft structured mat surface. High UV resistance.

Category 1



WHI Play White

Category 2



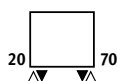
BLA Play Black **PIA** Play Piano



BOY Play4Boy **GIR** Play4Girl

CONNECTION

Standard connection: bottom end left /20 or right /70. Play can only be operated via an integrated control or a remote control.



CONNECTION SETS

Premounted integrated control

Integrated in the front panel in the top right hand corner. Cannot be ordered separately. See next page.

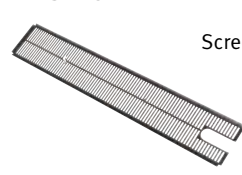


Other connection sets and sleeve couplings

Connection only with remote controlled valves: set 15, 16, 17 and 18.

See "Connection sets & Valves" for all technical information.

BASE GRILLE



Screens the bottom of the casing. Colour black (RAL 9005)

	code	length	type	model
ORDERING CODE	5641.000	060	10	/PLA
	Type 10/11	15/16	20/21	
L	£	£	£	
060	18.10	25.90	35.40	
080	24.20	34.60	47.20	
100	30.20	43.20	59.00	
120	36.20	51.90	70.70	

ORDERING CODE

code	height	length	type	colour	conn.
PLAW	. 030	060	10	. XXX	/70
				fill in colour code	—

ORDERING CODE WITH DBE

code	height	length	type	colour	conn.	Option
PLAW	. 020	060	10	. XXX	/70	/DBE
				fill in colour code	—	

DBE should be selected according to the power in comfort mode, as stated in the price and output table. The transition between standby (inactive) and comfort is managed automatically depending on the measured temperature and settings. For boost mode: see www.jaga.co.uk.



CREATE YOUR OWN COLOURS OR CREATE YOUR OWN PRINT



Design your own colour combination or print on the front panel. For more info go to: jaga@jaga.co.uk





PLAW.HHH LLL TT.XXX/70

PLAW.HHH LLL TT.XXX/70/DBE

STANDARD

TWIN

WITH DBE

Type	Watts 75/65	Watts 55/45	£ cat. 1	£ cat. 2
------	----------------	----------------	-------------	-------------

Type	Watts 75/65	Watts 55/45	£ cat. 1	£ cat. 2
------	----------------	----------------	-------------	-------------

Type	Watts 75/65	Watts 55/45	Watts 45/38	£ cat. 1	£ cat. 2
------	----------------	----------------	----------------	-------------	-------------

L H 035					
060	10	529	262	409.50	544.40
	15	805	400	482.50	652.10
	20	1104	551	545.80	739.90
080	10	705	349	450.30	618.90
	15	1074	533	528.70	740.80
	20	1472	735	602.10	844.70
100	10	881	436	482.80	682.40
	15	1342	667	571.00	825.80
	20	1840	919	652.70	938.40
120	10	1057	523	515.40	751.00
	15	1610	800	614.80	904.20
	20	2208	1102	706.90	1043.30

11	583	279	456.10	591.00	
	16	870	413	538.70	708.30
	21	1217	573	596.50	790.60
11	777	372	506.90	675.50	
	16	1160	551	599.10	811.20
	21	1622	763	666.80	909.40
11	971	465	546.00	745.70	
	16	1450	688	651.30	906.20
	21	2028	954	727.30	1013.10
11	1165	558	588.10	823.70	
	16	1740	826	708.80	998.10
	21	2434	1145	795.20	1131.50

---	---	---	---	---	---
---	---	---	---	---	---
---	---	---	---	---	---
11	1077	646	463	661.50	830.10
16	1640	984	705	761.50	973.60
21	2102	1261	904	829.30	1071.80
11	1271	763	547	700.60	900.30
16	1930	1158	830	813.70	1068.60
21	2508	1505	1078	889.70	1175.50
11	1765	1059	759	801.20	1036.80
16	2700	1620	1161	937.50	1226.80
21	3394	2036	1459	1023.90	1360.30

L H 050					
060	10	591	290	444.60	626.60
	15	925	456	518.10	741.10
	20	1284	637	588.00	847.80
080	10	788	386	487.00	708.10
	15	1234	609	572.10	851.70
	20	1712	849	651.70	965.00
100	10	985	483	523.00	785.70
	15	1542	760	617.90	937.30
	20	2140	1062	706.00	1070.20
120	10	1182	579	558.80	863.70
	15	1850	912	664.70	1035.30
	20	2568	1274	763.40	1186.20

11	685	327	491.10	673.20
16	1040	493	574.40	797.30
21	1461	689	638.70	898.50
11	913	436	543.60	764.70
16	1386	657	642.50	922.00
21	1948	919	716.50	1029.80
11	1141	544	586.30	848.80
16	1733	822	698.30	1017.80
21	2435	1149	780.60	1144.90
11	1369	653	631.30	936.40
16	2080	987	758.60	1129.20
21	2922	1378	851.70	1274.50

---	---	---	---	---	---
---	---	---	---	---	---
---	---	---	---	---	---
11	1213	728	522	698.20	919.30
16	1866	1120	802	805.00	1084.40
21	2428	1457	1044	878.90	1192.20
11	1441	865	620	741.00	1003.60
16	2213	1328	952	860.70	1180.20
21	2915	1749	1253	943.00	1307.30
11	1969	1181	847	844.60	1149.50
16	3040	1824	1307	987.30	1357.90
21	3882	2329	1669	1080.40	1503.10

L H 065					
060	10	653	317	487.70	714.50
	15	1040	509	567.40	842.50
	20	1454	717	643.60	962.90
080	10	870	423	527.40	805.10
	15	1386	679	618.80	954.50
	20	1938	956	704.70	1087.10
100	10	1088	529	562.90	891.00
	15	1733	849	663.70	1059.40
	20	2423	1195	758.00	1201.90
120	10	1306	635	601.40	978.30
	15	2080	1018	713.60	1162.10
	20	2908	1434	818.40	1328.90

11	778	369	534.40	761.20
16	1187	562	623.70	898.80
21	1663	786	694.30	1013.60
11	1037	492	584.00	861.70
16	1582	750	689.20	1025.00
21	2218	1049	769.40	1151.90
11	1296	615	626.20	954.20
16	1978	937	744.10	1139.80
21	2772	1311	832.60	1276.60
11	1555	738	674.10	1051.00
16	2374	1125	807.50	1256.10
21	3326	1573	906.70	1417.20

---	---	---	---	---	---
---	---	---	---	---	---
---	---	---	---	---	---
11	1337	802	575	738.70	1016.40
16	2062	1237	887	851.60	1187.40
21	2698	1619	1160	931.90	1314.30
11	1596	958	686	780.80	1108.80
16	2458	1475	1057	906.50	1302.20
21	3252	1951	1398	995.00	1439.00
11	2155	1293	927	887.20	1264.10
16	3334	2000	1434	1036.20	1484.80
21	4286	2572	1843	1135.50	1645.90

EN442 output at 20°C room temperature

PREMOUNTED INTEGRATED CONTROL

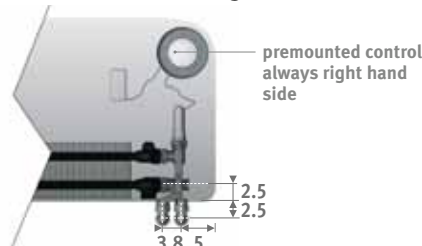
Connection to the wall within the casing



CODE	Surcharge £
PLAW. HHH LLL TT/XXX/WR/TIB	188.90

To the wall, right **WR**
To the wall, left **WL**

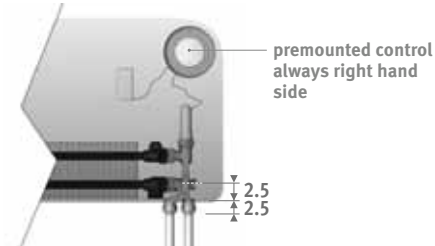
Connection to the wall via bottom of the casing



CODE	Surcharge £
PLAW. HHH LLL TT/XXX/WR/TPB	188.90

To the wall, right **WR**
To the wall, left **WL**

Connection to the floor



CODE	Surcharge £
PLAW. HHH LLL TT/XXX/FR/TPB	188.90

To the floor, right **FR**
To the floor, left **FL**

Jaga Heating Products (UK) Ltd
Orchard Business Park
Bromyard Road
Ledbury, Herefordshire HR8 1LG

Tel.: +44 1531 631 533
Fax: +44 1531 631 534
E-mail: jaga@jaga.co.uk
www.jaga.co.uk

Jaga International
Verbindingslaan z/n
B-3590 Diepenbeek

Tel.: +32 11 29 41 16
Fax: +32 11 29 41 60
E-mail: export@jaga.be

WWW.
THE RADIATOR FACTORY
.COM

WWW.JAGAEXPERIENCELAB.COM

your partner: