

# Premium Verona Lite

---

This 'Lite' version of the popular Verona has been specifically designed for cinemas where maximisation of space is a priority.

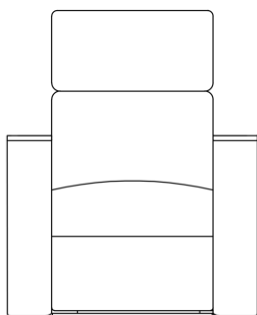
The Verona Lite has a motorised backrest, which enables it to fit in to many existing premium areas, increasing comfort whilst maintaining occupancy levels.

Available as a single or a twin seat, or a liked seat with a shared armrest.

Customisation and additional features mirror that of the Premium Verona.



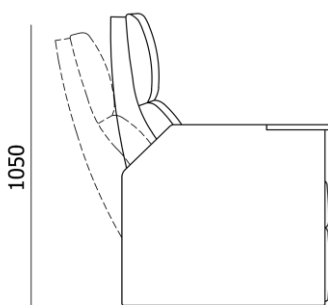
900



750



1000



1050

800

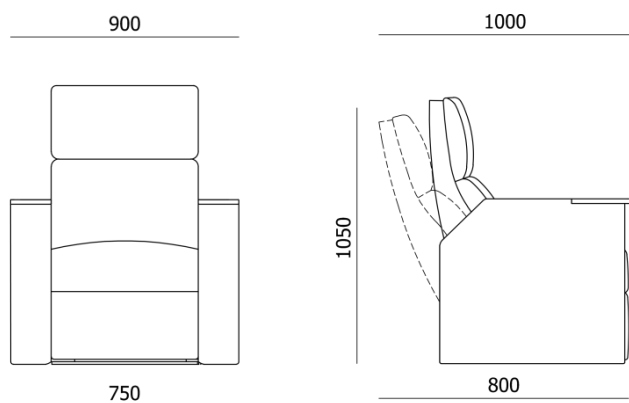
- Aisle light and row letter plate
- Embroidered logo/numbering
- Swivel table
- Dual USB port
- Easy-lift for cleaning
- Embroidery
- Seat lettering/numbering
- Variable cup holders
- Adjustable Light
- LED Seat Numbering

# Premium Verona Lite

---

## DIMENSIONS

Total seat width :	900
Backrest Height :	1050
Closed Depth:	800
Fully Reclined Depth:	1000
Seat Height: :	500±10



## DESCRIPTION & SPECIFICATION

### Structure

- Made up of Mild steel hollow section in various sizes like: 50mm x 25mm x Thk. 3mm.

### Backrest and Seat.

- Inner back frame is made of steel structure and wooden frame upholstered with polyurethane HR foam and polyester then, cover with leather.
- Combination of a Wooden Panel frame and a steel frame, upholstered with polyurethane HR foam and polyester then, cover with leather.
- Panel with foam and cover with fabric , it has a cup holder on the front.

### Recliner Mechanism

- Electrically motor operated
- Push force (min. to max.) : 750N – 6000N
- Pull force (min. to max.) : 750N – 4000N
- includes adapter (input: 110V~240V) (output: DC 29V, 1.8A)
- Operating temperature : 0° - 40 °C.
- Compliance with EC 73/023/EWG and EC 89/336/EWG.
- Auto-return function.

### Metal / Fabric Finishing

- Zigzag lever systems that ensure the backrest and footrest being operated smoothly and silent proof.
- All metal parts exposed shall be stripped and cleaned with iron phosphate, hot water rinsed and then chromic acid rinsed.
- All metal parts are coated with an epoxy finish of at least 60 microns for outdoor use. Conformity with BS-6496 hardness test.

### Fire Safety

- Flammability compliance with BS 5852 : 2006 section 3 ignition source 5.