



PREMIUM VERTICAL BIKE RACK

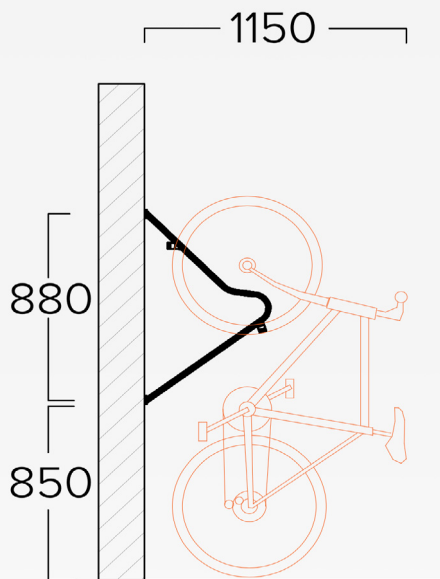
Turn Your Walls Into High-Performing Cycle Storage

The Premium Vertical Bike Rack is a wall-mounted storage solution that blends form and function, ideal for projects that demand space efficiency without compromising on visual impact. Designed to transform underutilised wall space into premium and secure cycle storage, this rack has become a staple in End of Trip Facilities across the UK. Available in a wide range of RAL colours and gloss levels, the Premium Vertical Rack is often specified in contrasting tones to complement interiors or reinforce brand identity. Whether designing a workplace, residential development or commercial space, this wall-hung solution helps deliver durable, BREEAM-compliant bike storage that looks as good as it performs. The Premium Vertical Bike Rack is the go-to sleek, wall-mounted solution designed to maximise space.

Bikes with front-wheel mudguards are incompatible

- › **Space-Saving Vertical Storage:** Optimises internal walls for compact cycle storage.
- › **Architect-Specified Design:** Frequently used in premium, design-led projects.
- › **Custom Powder Coating:** Select from a wide range of RAL colours and finishes.
- › **Durable CHS Steel Frame:** Built from heavy-duty 21.2mm CHS for long-term use.
- › **Optional Wheel Guide:** Adds extra stability and ease-of-use for cyclists.
- › **BREEAM Contribution:** Supports sustainability objectives and green credentials.
- › **Secure Storage:** Enables locking of both wheels and frame.
- › **Multiple Versions Available:** Also offered in Freestanding or Solo Post-Mounted.
- › **British-Made Quality:** Designed and manufactured in the UK, with a 10-year warranty.





**Clear Access Space in
Front of Racks**

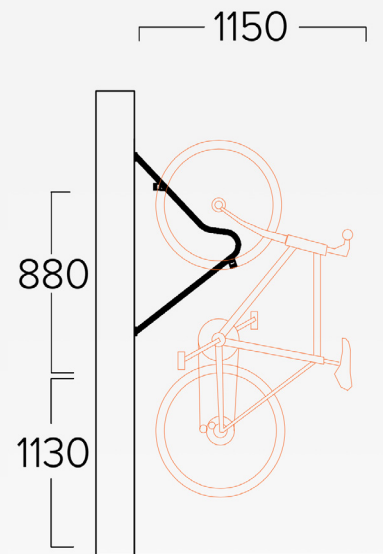
1150mm

**Space Between
Racks**

350mm Standard

**Minimum Ceiling
Height**

2100mm



Bespoke centres to fit your exact specifications

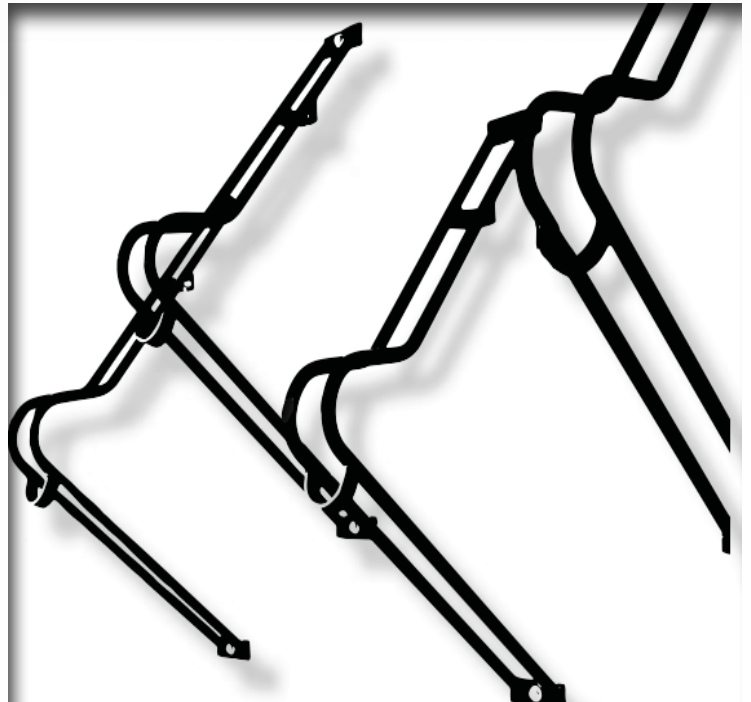
PREMIUM VERTICAL CYCLE RACKS

This cycle rack is a sleek, wall-mounted solution that maximises space and enhances any project's aesthetics. With a custom powder-coated finish and secure locking for both wheels and frame, this rack combines durability, practicality and a modern look, all backed by our 10-year warranty and Made in Britain guarantee.

Customisation that Works for You

Every site is different which is why this rack is built to adapt:

- › Mild Steel Hot Dipped Galvanised to BS EN ISO 1461:2022 as standard
- › Robust frame featuring 80mm SHS vertical supports & 50mm SHS horizontal crossbars
- › Powder Coated in a range of RAL colours as standard
- › Freestanding with optional back-to-back configuration
- › 10-year warranty & Made in Britain
- › Supports BREEAM accreditation



Lead Times

4 — 6 Weeks

**For quicker delivery contact us*

Need help with installation?

We offer a full installation service
hello@thebikestoragecompany.co.uk

PROJECT

Queens Quay, Bristol

At Queens Quay in Bristol, a £5.6m refurbishment led by Aberdeen Standard Investments and AWW Architects transformed a tired four-storey office block into a bright, modern workplace with best-in-class sustainability credentials, including BREEAM Excellent and WiredScore Platinum. As part of a full M&E and sustainability consultancy package, Method supported the creation of high-quality End Of Trip facilities complete with showers, changing rooms, and a dedicated cycle storage area in the basement.

As part of this high-spec facility, we supplied and installed 27 Premium Vertical Bike Racks, British-made, BREEAM-compliant, and finished in a custom RAL powdercoat. The racks were chosen for their space efficiency and ability to secure both wheel and frame, making them ideal for a compact, high-use cycle hub. We also provided Westminster Lockers with integrated bench seating built from moisture-resistant materials and finished in high-pressure laminate for durability and style to complement the bike storage. Together, these products deliver a functional, attractive, and future-ready cycle amenity that enhances the building's tenant experience and sustainability goals.



DOWNLOADS LIBRARY

For more information on our product specifications, colours and finishes view our product downloads library online.

ACHIEVE BREEAM
ACCREDITATION
BRITISH MADE
PRODUCTS



0800 246 1723

www.thebikestoragecompany.co.uk

hello@thebikestoragecompany.co.uk

306 Harbour Yard, London, SW10 0XD