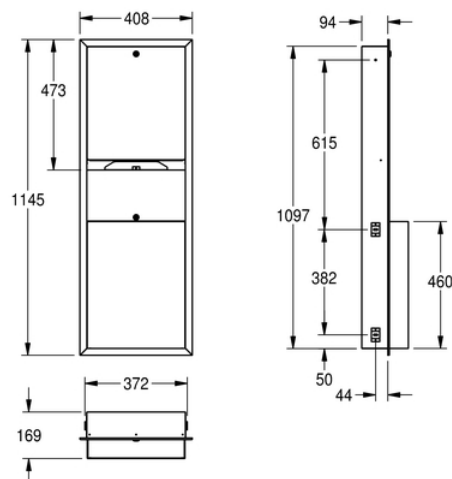


COMBINATION PAPER TOWEL DISPENSER AND WASTE BIN: RODX602E

RODX602E | 2000090060

ARTICLE GROUP : **RODX602E** | ARTICLE FAMILY : **Combinations** | PRODUCT GROUP : **Accessories** | MODEL RANGE : **RODAN**



Paper towel dispenser - waste bin combination for recessed mounting, stainless steel, surface satin finished, material thickness 0.8 mm, folded front cover, cylinder lock with Franke standard key, loading capacity 500 - 800 pcs. of paper depending on convolution, waste bin with approx. 23 liter capacity, incl. stainless steel screws and dowels.

TECHNICAL DATA

combination part 1	paper towel dispenser
combination part 2	waste bin
filling quantity 1	800
filling quantity 1 uom	pieces
filling quantity 2	23
filling quantity 2 uom	liter
gross weight	16.50 kg
lock 1	key-lock
lock 2	key-lock
material	stainless steel
material code	1.4301 Chrome Nickel steel V2A
material thickness	0.80 mm
net weight	15.00 kg
overall depth	169.00 mm
overall height	1,145.00 mm
overall width	408.00 mm
surface finish	satin finished
type of consumable 1	paper towel
type of fixing	screw
type of mounting	recessed mounting

COMBINATION PAPER TOWEL DISPENSER AND WASTE BIN: RODX602E

RODX602E | 2000090060

ARTICLE GROUP : **RODX602E** | ARTICLE FAMILY : **Combinations** | PRODUCT GROUP : **Accessories** | MODEL RANGE :
RODAN

CONSUMABLE



PAPER TOWELS: FH68

2000100015

SIMILAR PART



**COMBINATION PAPER
TOWEL DISPENSER AND
WASTE BIN: STRX602E**

2000057227
