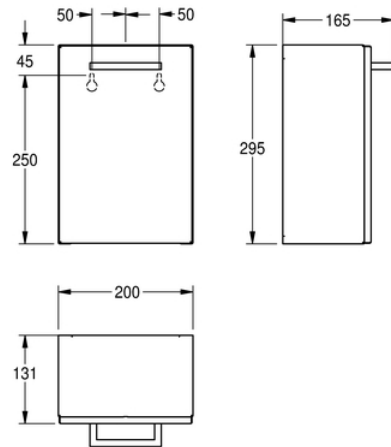


SANITARY TOWEL AND DISPOSAL BIN: RODX611

RODX611 | 2000090063

ARTICLE GROUP : **RODX611** | ARTICLE FAMILY : **Hygiene bins** | PRODUCT GROUP : **Accessories** | MODEL RANGE : **RODAN**



Sanitary towel and disposal bin for wall mounting, stainless steel, surface satin finished, material thickness 0.8 mm, folded front cover, approx. 3.7 liter capacity, removable plastic container inside, incl. stainless steel screws and dowels.

TECHNICAL DATA

bag holder	no
filling volume	3.70 liter
gross weight	2.61 kg
lid	yes
lock	no lock
material	stainless steel
material code	1.4301 Chrome Nickel steel V2A
material thickness	0.80 mm
net weight	2.28 kg
overall depth	165.00 mm
overall height	295.00 mm
overall width	200.00 mm
surface finish	satin finished
type of fixing	screw
type of mounting	wall mounting

SANITARY TOWEL AND DISPOSAL BIN: RODX611

RODX611 | 2000090063

ARTICLE GROUP : **RODX611** | ARTICLE FAMILY : **Hygiene bins** | PRODUCT GROUP : **Accessories** | MODEL RANGE : **RODAN**

SIMILAR PART



WASTE BIN: XINX605

2000057435



SANITARY TOWEL AND DISPOSAL BIN: STRX611

2000057375
