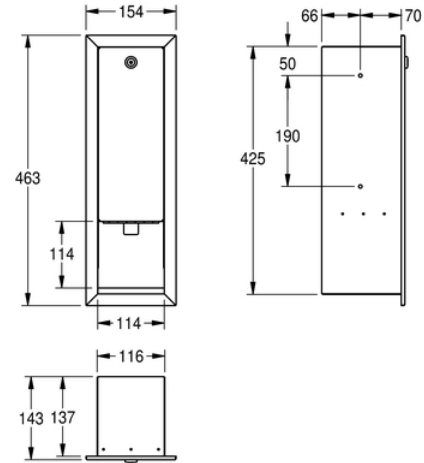


# SOAP DISPENSER: RODX618E

RODX618E | 2000090066

ARTICLE GROUP : **RODX618E** | ARTICLE FAMILY : **Soap dispensers** | PRODUCT GROUP : **Accessories** | MODEL RANGE : **RODAN**



Soap dispenser for recessed mounting, stainless steel, surface satin finished, material thickness 0.8 mm, folded front cover, cylinder lock with Franke standard key, suitable for liquid soaps and lotions, 0.8 liter soap tank, lever to pull, incl. stainless steel screws and dowels.

## TECHNICAL DATA

filling quantity	800 ml
gross weight	2.52 kg
lock	key-lock
material	stainless steel
material code	1.4301 Chrome Nickel steel V2A
material thickness	0.80 mm
net weight	2.34 kg
overall depth	143.00 mm
overall height	463.00 mm
overall width	154.00 mm
surface finish	satin finished
type of consumable	liquid soap
type of fixing	screw
type of mounting	recessed mounting
type of operation	manual operation
type of soap container	integrated refillable tank

# SOAP DISPENSER: RODX618E

RODX618E | 2000090066

ARTICLE GROUP : **RODX618E** | ARTICLE FAMILY : **Soap dispensers** | PRODUCT GROUP : **Accessories** | MODEL RANGE : **RODAN**

---

## CONSUMABLE

---



---

**LIQUID SOAP: SO1L**

---

2000057162

---



---

**LIQUID SOAP: SO10L**

---

2000057168

---