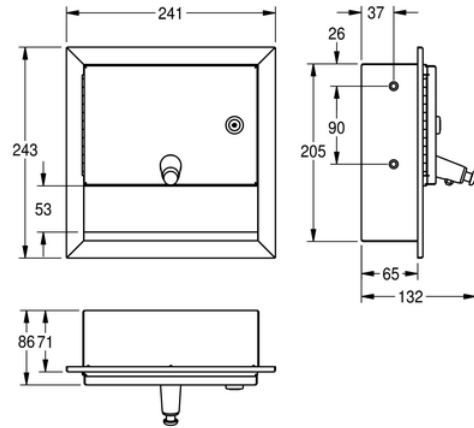


SOAP DISPENSER: RODX619E

RODX619E | 2000090069

ARTICLE GROUP : **RODX619E** | ARTICLE FAMILY : **Soap dispensers** | PRODUCT GROUP : **Accessories** | MODEL RANGE : **RODAN**



Soap dispenser for recessed mounting, stainless steel, surface satin finished, material thickness 0.8 mm, folded front cover, cylinder lock with Franke standard key, suitable for liquid soaps and lotions, 1 liter soap tank, push button on front, incl. stainless steel screws and dowels.

TECHNICAL DATA

filling quantity	1 liter
gross weight	2.08 kg
lock	key-lock
material	stainless steel
material code	1.4301 Chrome Nickel steel V2A
material thickness	0.80 mm
net weight	1.85 kg
overall depth	132.00 mm
overall height	243.00 mm
overall width	241.00 mm
surface finish	satin finished
type of consumable	liquid soap
type of fixing	screw
type of mounting	recessed mounting
type of operation	manual operation
type of soap container	integrated refillable tank

SOAP DISPENSER: RODX619E

RODX619E | 2000090069

ARTICLE GROUP : **RODX619E** | ARTICLE FAMILY : **Soap dispensers** | PRODUCT GROUP : **Accessories** | MODEL RANGE : **RODAN**

CONSUMABLE



LIQUID SOAP: SO1L

2000057162



LIQUID SOAP: SO10L

2000057168

SIMILAR PART



**SOAP DISPENSER:
STRX619E**

2000057385
