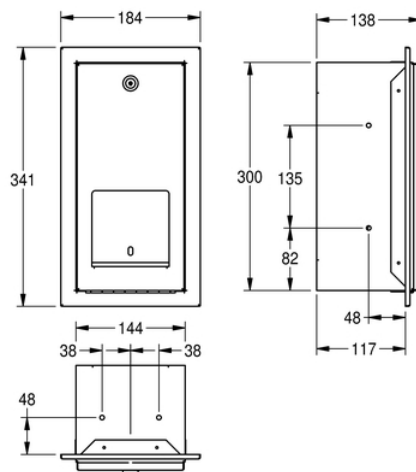


TOILET ROLL HOLDER: RODX672E

RODX672E | 2000090073

ARTICLE GROUP : **RODX672E** | ARTICLE FAMILY : **WC-roll holders** | PRODUCT GROUP : **Accessories** | MODEL RANGE : **RODAN**



Double toilet roll holder with spindle system for recessed mounting, stainless steel, surface satin finished, material thickness 0.8 mm, folded front cover, cylinder lock with Franke standard key, for 2 rolls with max. Ø 120 mm, second roll will be released after consumption of first roll, reserve roll not visible, incl. stainless steel screws and dowels.

TECHNICAL DATA

maximum depth/diameter of consumable	115.00 mm
maximum width of consumable	115.00 mm
filling quantity	2 rolls
gross weight	2.75 kg
lock	key-lock
material	stainless steel
material code	1.4301 Chrome Nickel steel V2A
material thickness	0.80 mm
net weight	2.55 kg
overall depth	138.00 mm
overall height	341.00 mm
overall width	184.00 mm
spindle	yes
surface finish	satin finished
type of fixing	screw
type of mounting	recessed mounting